

4

3

2

1

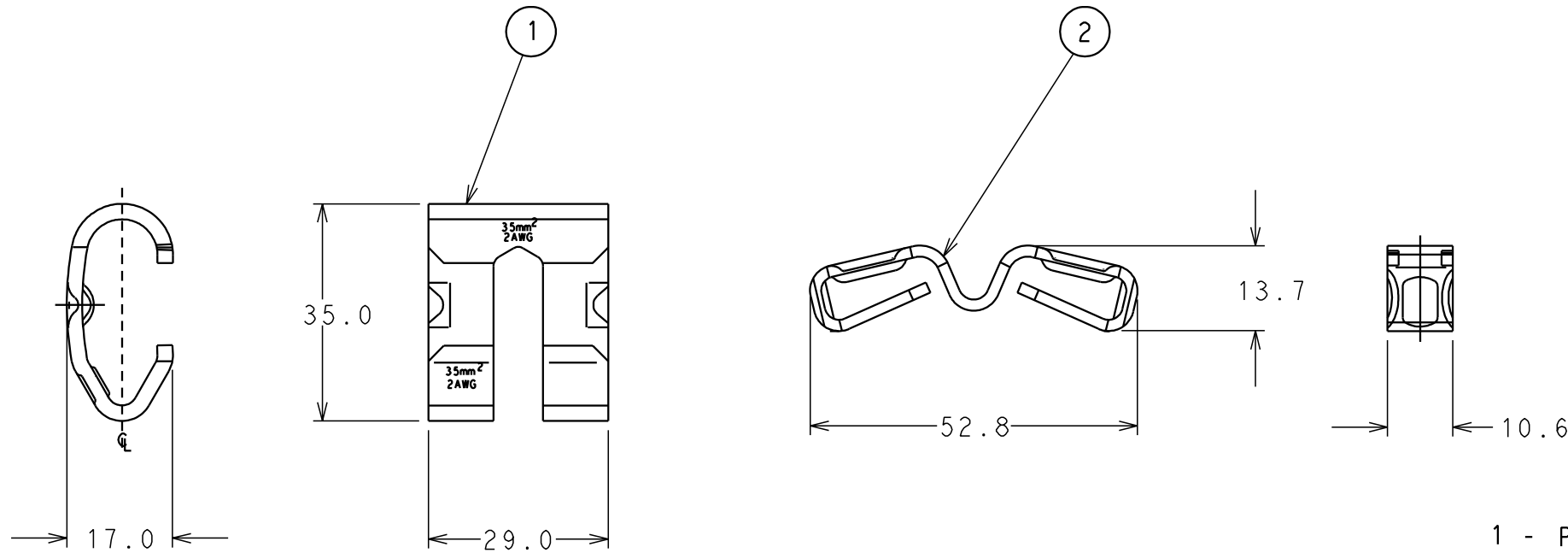
THIS DRAWING IS UNPUBLISHED. RELEASED FOR PUBLICATION 19

© COPYRIGHT BY AMP INCORPORATED. ALL RIGHTS RESERVED.

LOC AP DIST --

REVISIONS

P	LTR	DESCRIPTION	DATE	DWN	APVD
	B	ECO-11-003597	16MAR2011	GO	WB



1 - PACKAGED IN PLASTIC BAG, CONTAINED USUAL COMBINATIONS ENGRAVING.

1 - EMBALADO EM SACO PLÁSTICO, CONTENDO GRAVAÇÃO DAS COMBINAÇÕES USUAIS.

2 - DASH -2 FOR EDENOR CUSTOMER ONLY

2 - TRAÇO -2 SOMENTE PARA O CLIENTE EDENOR

REQ. PER ASS'Y	ITEM	DESCRIPTION	MATERIAL	NOTES
1	1	PLASTIC BAG	POLYTHYLENE	--
1	1	TGC WING MEMBER	COPPER ALLOY	--
1	1	TGC "C" MEMBER 35x35mm ²	STAINLESS STEEL	--
-2	-1			
493646				

THIS DRAWING IS A CONTROL DRAWING FOR THE CUSTOMER. IT IS SUBJECT TO CHANGE AND THE DRAWING ORGANIZATION SHOULD BE NOTIFIED OF ANY REVISIONS.		DWN V.FUZETTI 09APR99 CHK W.BELLINI Jr. APVD J.A.LA SALVIA PRODUCT SPEC 108-37051 APPLICATION SPEC 411-37030		Tyco Electronics Brasil Ltda São Paulo - Brasil	
DIMENSIONS: mm 		TOLERANCES UNLESS OTHERWISE SPECIFIED: 0 PLC± - 1 PLC± 1,0 2 PLC± - 3 PLC± - 4 PLC± - ANGLES		NAME TGC ASS'Y 35x35mm ²	
MATERIAL SEE TABLE		FINISH UNPLATED		WEIGHT 50g SIZE CAGE CODE A 300779 DRAWING NO © 493646 RESTR -	
CUSTOMER DRAWING				SCALE 1:1 SHEET 1 OF 1 REV B	