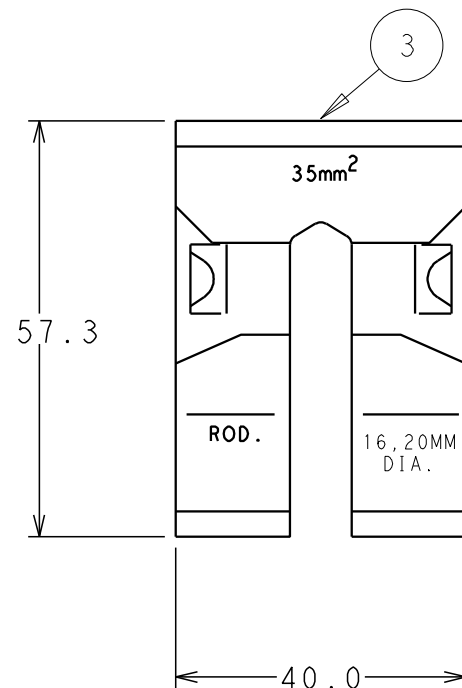
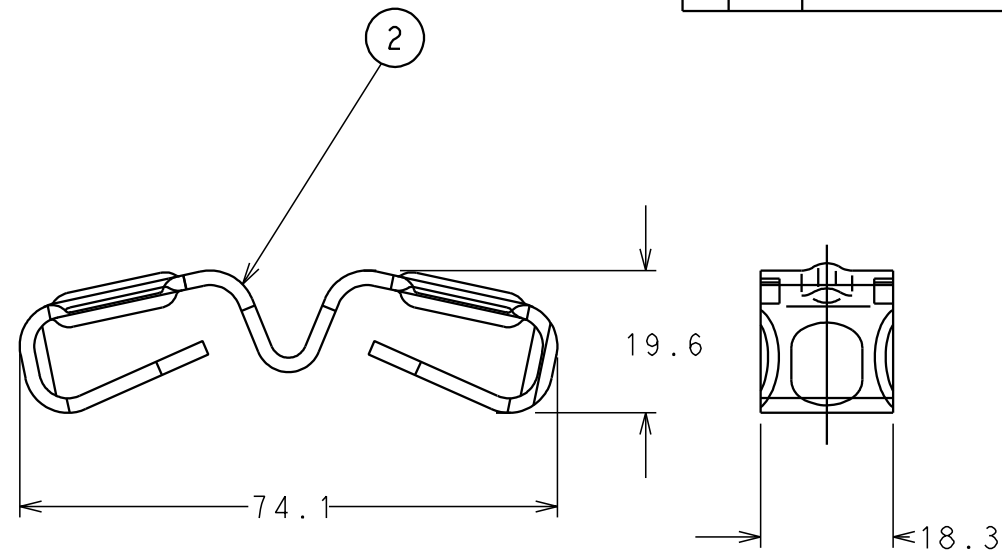
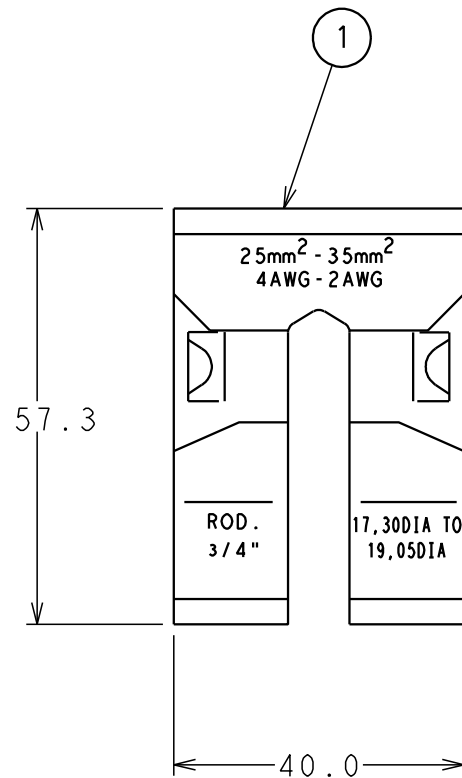
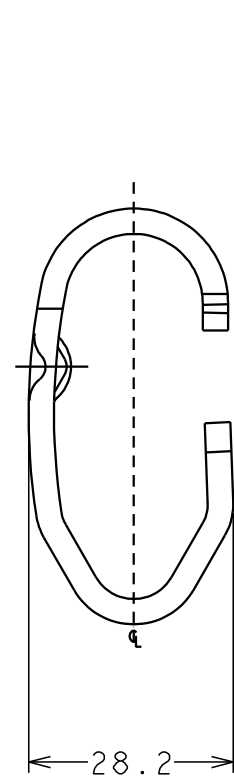


THIS DRAWING IS UNPUBLISHED. RELEASED FOR PUBLICATION 19  
 © COPYRIGHT BY AMP INCORPORATED. ALL RIGHTS RESERVED.

LOC	DIST	REVISIONS			
P	LTR	DESCRIPTION	DATE	DWN	APVD
AP	--	B	ECO-11-003597	16MAR2011	GO WB



- 1 - PACKAGED IN PLASTIC BAG, CONTAINED USUAL COMBINATIONS ENGRAVING.
- 1 - EMBALADO EM SACO PLÁSTICO, CONTENDO GRAVAÇÃO DAS COMBINAÇÕES USUAIS.
- 2 - DASH -2 FOR EDENOR CUSTOMER ONLY.
- 2 - TRAÇO -2 SOMENTE PARA O CLIENTE EDENOR.

REQ. PER ASS'Y	ITEM	DESCRIPTION	MATERIAL	NOTES
1	- 3	TGC "C" MEMBER 3/4"	STAINLESS STEEL	--
1	1	PLASTIC BAG	POLYETHYLENE	--
1	1	TGC WING MEMBER	COPPER ALLOY	--
-	1	TGC "C" MEMBER 3/4"	STAINLESS STEEL	--
-2	-1			
493643				

THIS DRAWING IS A CONFIDENTIAL PROPERTY OF AMP INCORPORATED. IT IS SUBJECT TO CHANGE AND LANDING PAGE GEOMETRIC ORGANIZATION SHOULD BE NOTICED REVISION.		DWN <b>V. FUZETTI</b> 09APR99 CHK <b>W. BELLINI Jr.</b> APVD <b>J.A. LA SALVIA</b> PRODUCT SPEC 108-37051 APPLICATION SPEC 411-37030 WEIGHT 160g	Tyco Electronics Brasil Ltda São Paulo - Brasil	
DIMENSIONS: mm 	TOLERANCES UNLESS OTHERWISE SPECIFIED: 0 PLC± - 1 PLC± 1.0 2 PLC± - 3 PLC± - 4 PLC± - ANGLES FINISH UNPLATED	NAME <b>TGC ASS'Y 3/4"</b> SIZE CAGE CODE DRAWING NO A300779 C= 493643 RESTR -		
MATERIAL SEE TABLE		CUSTOMER DRAWING SCALE 1:1 SHEET 1 OF 1 REV B		