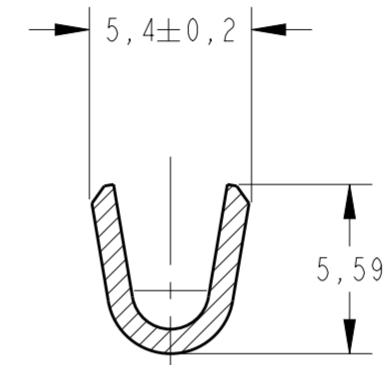
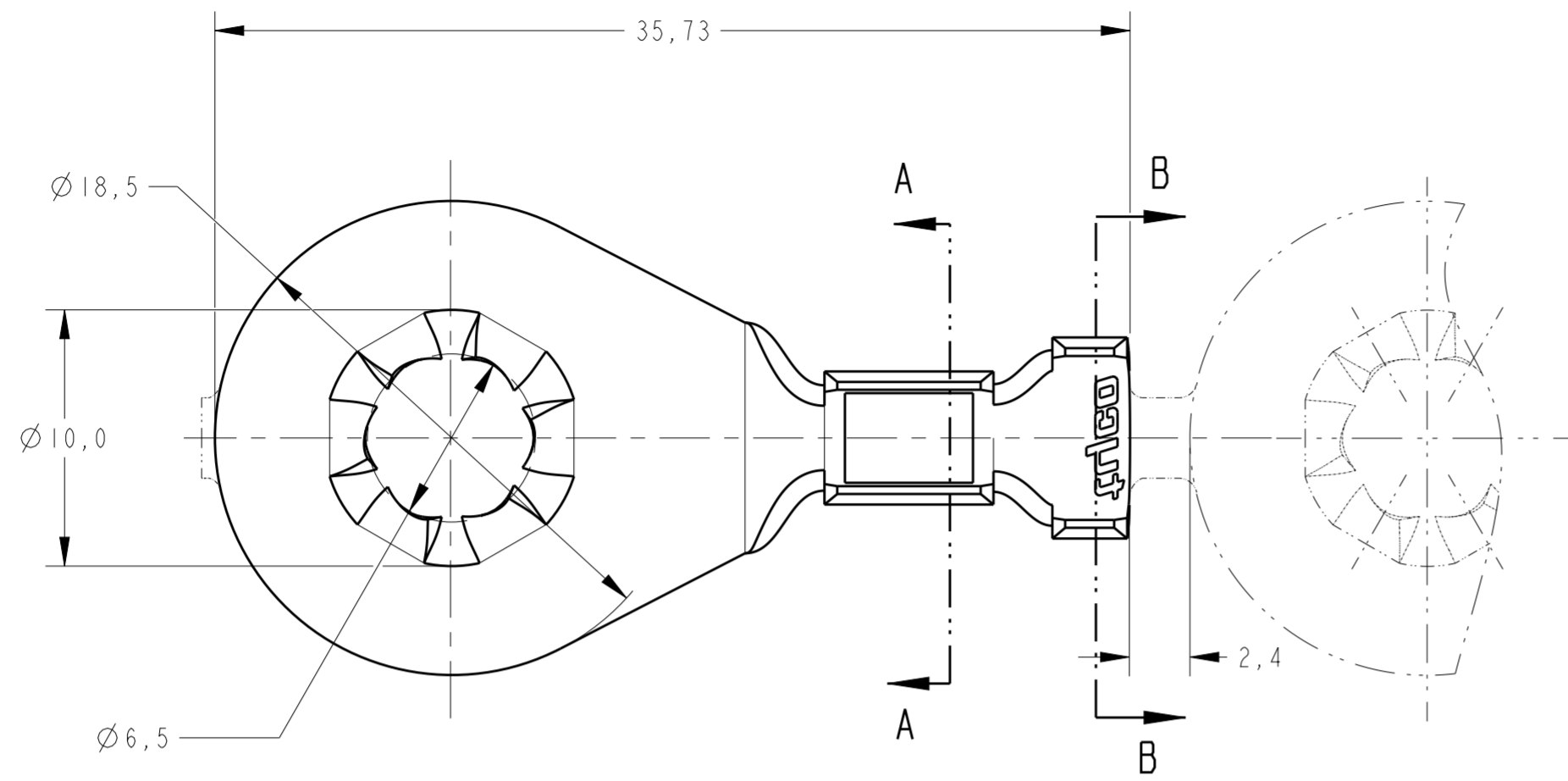


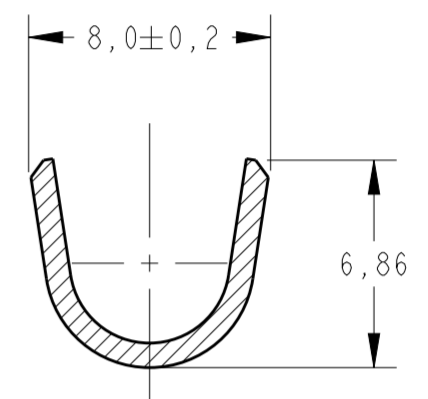
THIS DRAWING IS UNPUBLISHED. RELEASED FOR PUBLICATION 20
 © COPYRIGHT 20 BY - ALL RIGHTS RESERVED.

creo
 C reo Parametric 2.0
DO NOT REVISE
EXCEPT BY CAD

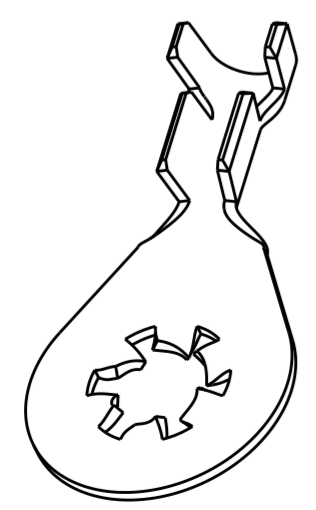
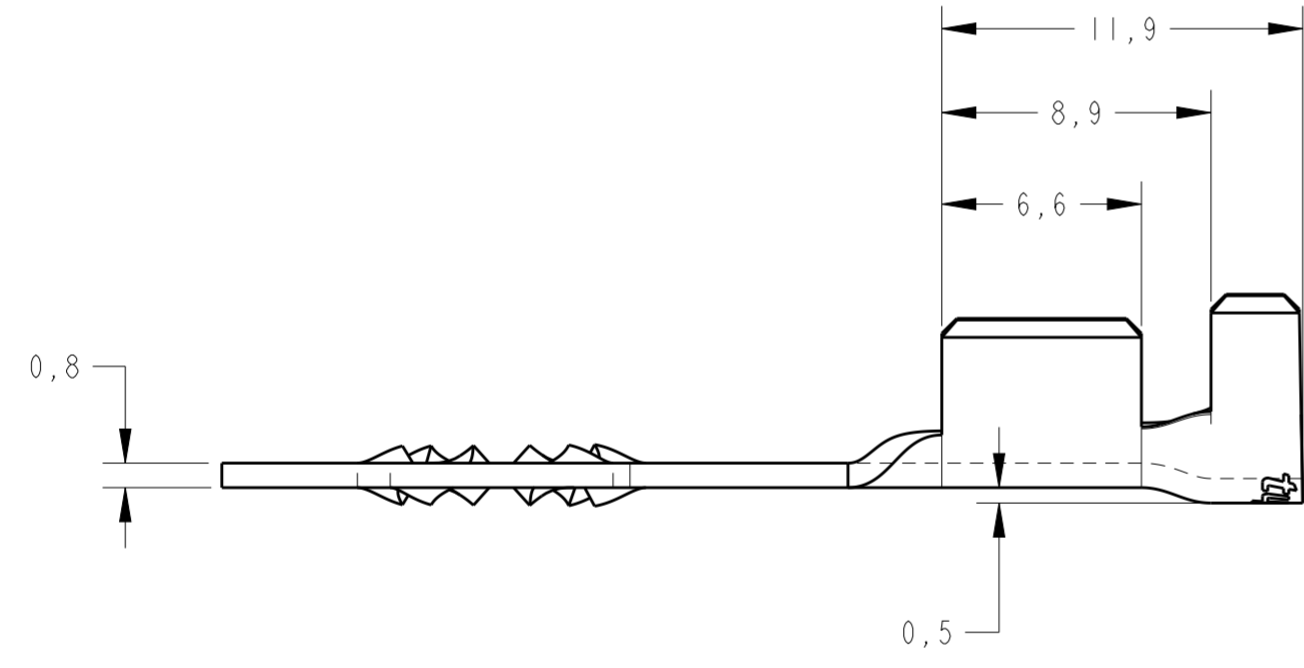
REVISIONS					
P	LTR	DESCRIPTION	DATE	DWN	APVD
B		REDRAW BY CAD ECO-16-001981	12FEB2016	NCL	DAO



SECTION A-A
SCALE 4:1



SECTION B-B
SCALE 4:1



PERSPECTIVE VIEW
SCALE 2:1

---	NÚ / PLAIN	PHOSPOR BRONZE	493212 -2
---	ESTANHADO / TIN PLATED	MAKE FROM 1599901-2	493212 -1
RAW MAT'L NO	FINISH	MATERIAL	PART NUMBER

THIS DRAWING IS A CONTROLLED DOCUMENT.		DWN: NCLAPRESA 10SEP2013	TE Connectivity	
DIMENSIONS: mm		CHK: JRGOLDSCHMIDT 10SEP2013		
TOLERANCES UNLESS OTHERWISE SPECIFIED: 0 PLC ± 1 PLC ±0,3 2 PLC ± 3 PLC ± 4 PLC ± ANGLES ±° FINISH -		APVD: DAO LVEIRA 10SEP2013		
MATERIAL: TBD		PRODUCT SPEC: -	NAME: RING TONGUE ANTIROTATIONAL M6	
		APPLICATION SPEC: -	SIZE: A2	CAGE CODE: -
		WEIGHT: -	DRAWING NO: C-493212	RESTRICTED TO: -
		CUSTOMER DRAWING	SCALE: 2:1	SHEET 1 OF 1 REV B

INS. DIA. RANGE	WIRE RANGE
3,5-5,0mm	3,0-6,0mm ²