

THIS DRAWING IS UNPUBLISHED.

RELEASED FOR PUBLICATION

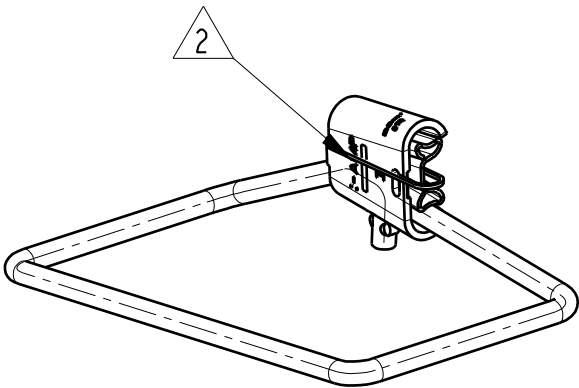
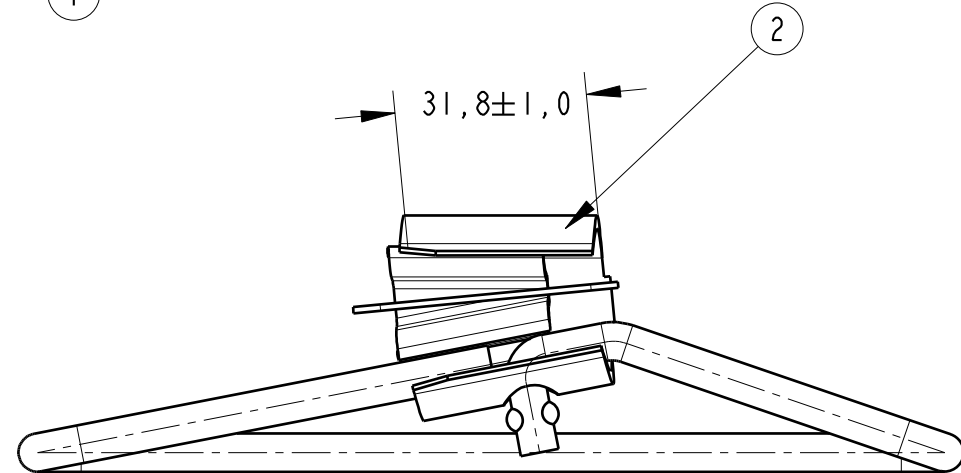
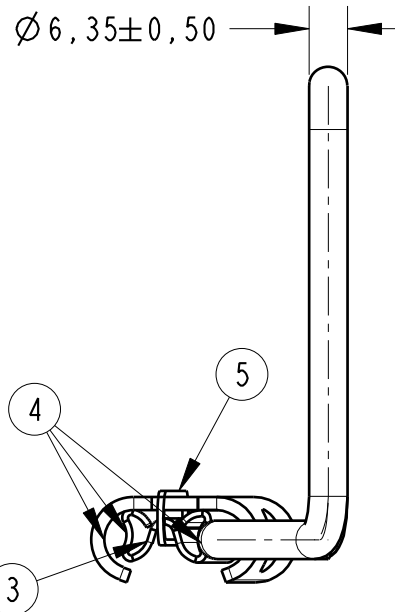
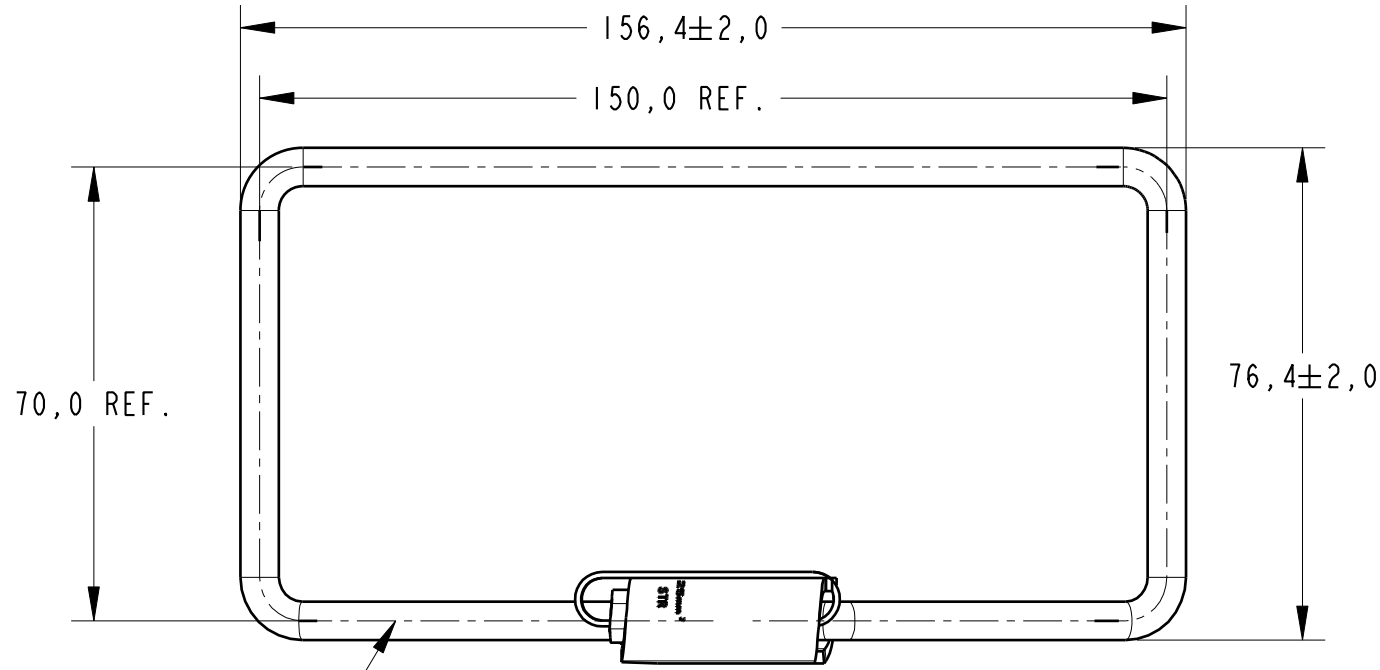
20

© COPYRIGHT 20 BY TYCO ELECTRONICS CORPORATION. ALL RIGHTS RESERVED.

LOC AP DIST -

REVISIONS

P	LTR	DESCRIPTION	DATE	DWN	APVD
B		REVISED BY EC LB00-0430/01	11OCT2001	VF	JAL
C		ECO-09-013193	03JUN2009	GO	WB



SCALE 1:2

- 1 - SUPPLIED IN INDIVIDUAL PLASTIC PACKAGING
- 2 - ENGRAVING PART NUMBER AMP
- 3 - CONDUCTORS COMBINATION

PART NUMBER	RUN CABLE	
	AWG	mm ²
493046-1	4 ACSR	25 STR
	4 AAC	25 COMP
	4 SOL	25 SOL
	6 ACSR	16 STR
493046-2	6 AAC	16 COMP
	2 ACSR	35 STR
	2 AAC	35 COMP

- 4 - SUM OF DIAMETER SELECTION:

PART NUMBER	RUN CABLE		STIRRUP
	MAX.	MIN.	
493046-1	7,66	4,84	Ø6,35
493046-2	7,66	4,84	

- 1 - FORNECIDO EM EMBALAGEM PLÁSTICA INDIVIDUAL
- 2 - GRAVAÇÃO DO PN. AMP.
- 3 - COMBINAÇÕES DE CONDUTORES

PEÇA NUMERO	CABO PRINCIPAL	
	AWG	mm ²
493046-1	4 ACSR	25 STR
	4 AAC	25 COMP
	4 SOL	25 SOL
	6 ACSR	16 STR
493046-2	6 AAC	16 COMP
	2 ACSR	35 STR
	2 AAC	35 COMP

- 4 - SOMA DOS DIÂMETROS:

PEÇA NÚMERO	CABO PRINCIPAL		ESTRIBO
	MAX.	MIN.	
493046-1	7,66	4,84	Ø6,35
493046-2	7,66	4,84	

REQ. PER ASSY	ITEM	DESCRIPTION	MATERIAL	FINISH
1	5	ROUND ELASTIC FASTENER	LATEX	-
1	4	SYNTHETIC INHIBITOR	-	-
1	3	UDC WEDGE MEMBER	BRASS	TIN PLATED
1	2	UDC "C" MEMBER	BRASS	TIN PLATED
1	1	STIRRUP	ALUMINUM	UNPLATED
-2	-1			

THIS DRAWING IS A CONTROLLED DOCUMENT FOR TYCO ELECTRONICS CORPORATION. IT IS SUBJECT TO CHANGE AND THE CONTROLLING ENGINEERING ORGANIZATION SHOULD BE CONTACTED FOR THE LATEST REVISION.

DWN V. FUZETTI 06DEC96		Tyco Electronics Tyco Electronics Brasil LTDA. São Paulo, Brasil	
CHK J. VIEIRA 12DEC96		NAME	
APVD J. ROOSDORP 12DEC96		UDC ALUMINUM STIRRUP TYPE I	
PRODUCT SPEC -		SIZE A3	CAGE CODE 00779
APPLICATION SPEC -		DRAWING NO C-493046	RESTRICTED TO -
MATERIAL SEE TABLE		WEIGHT -	SCALE -
FINISH SEE TABLE		CUSTOMER DRAWING	SHEET 1 OF 1
			REV C

CAD Pro-E DO NOT REVISE EXCEPT BY CAD