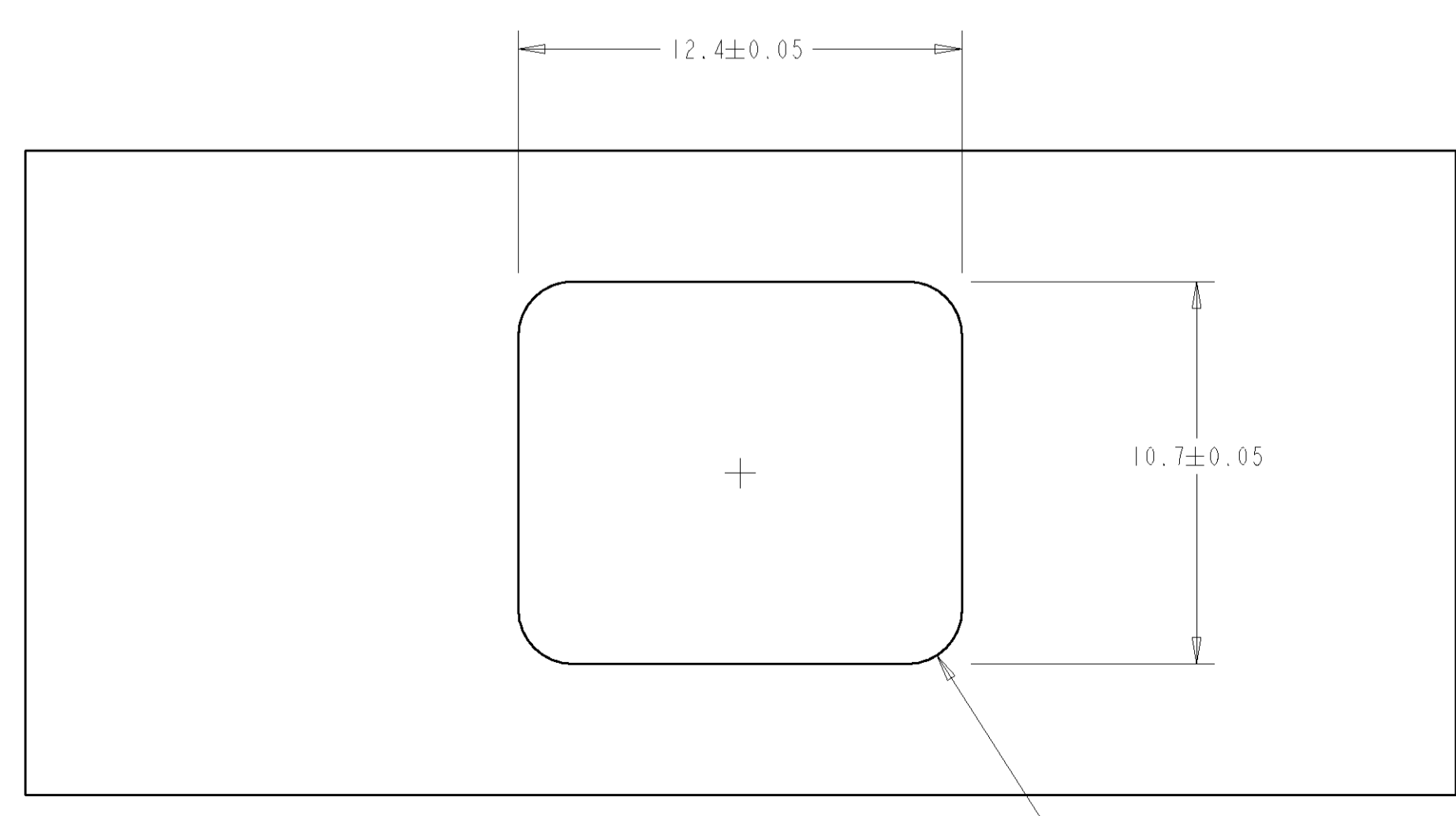
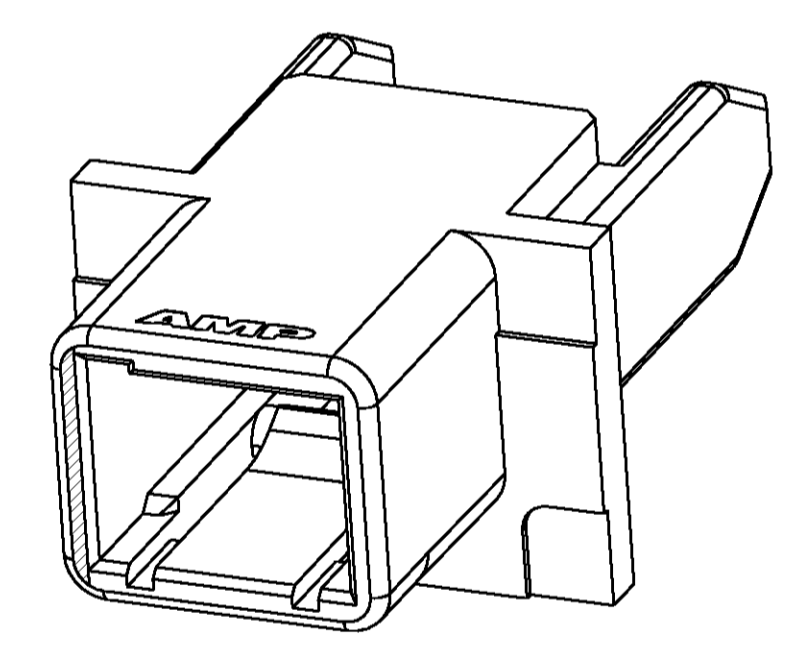
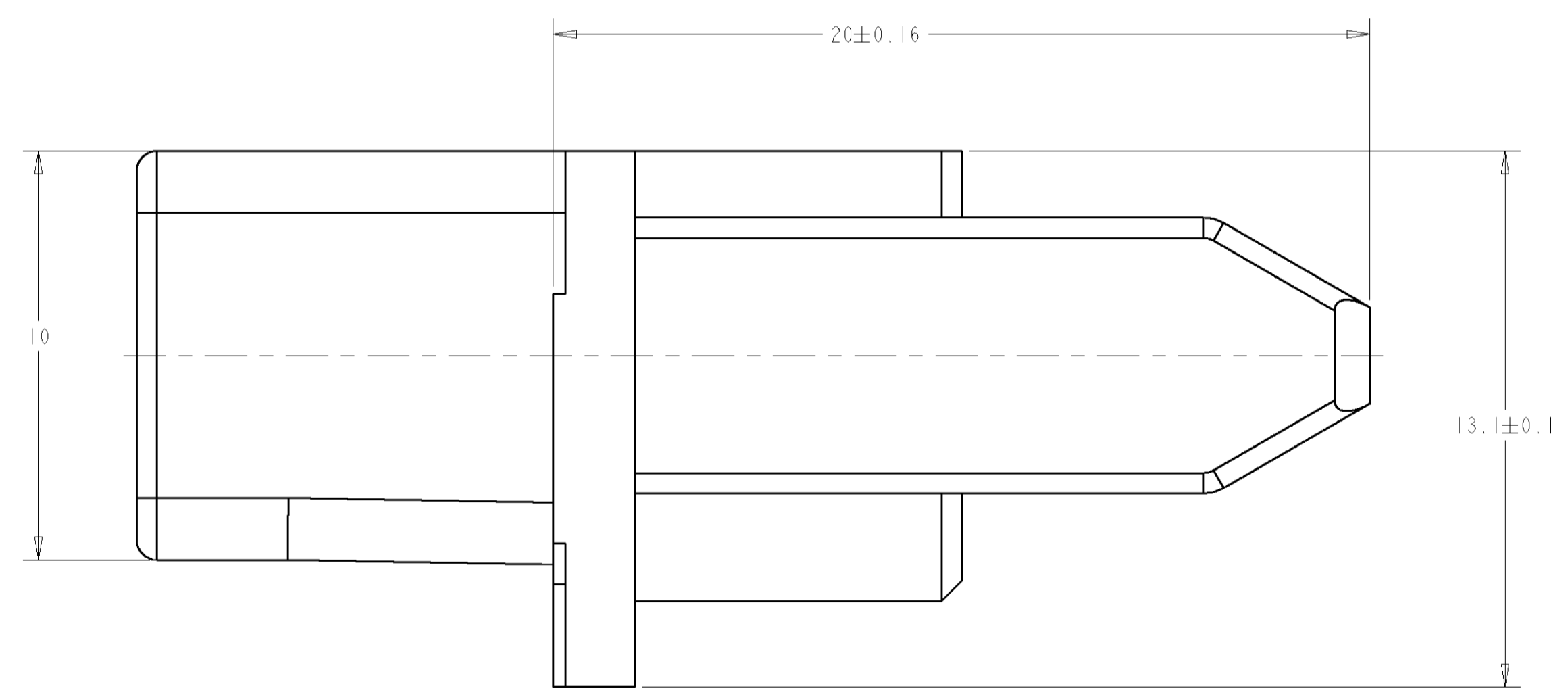
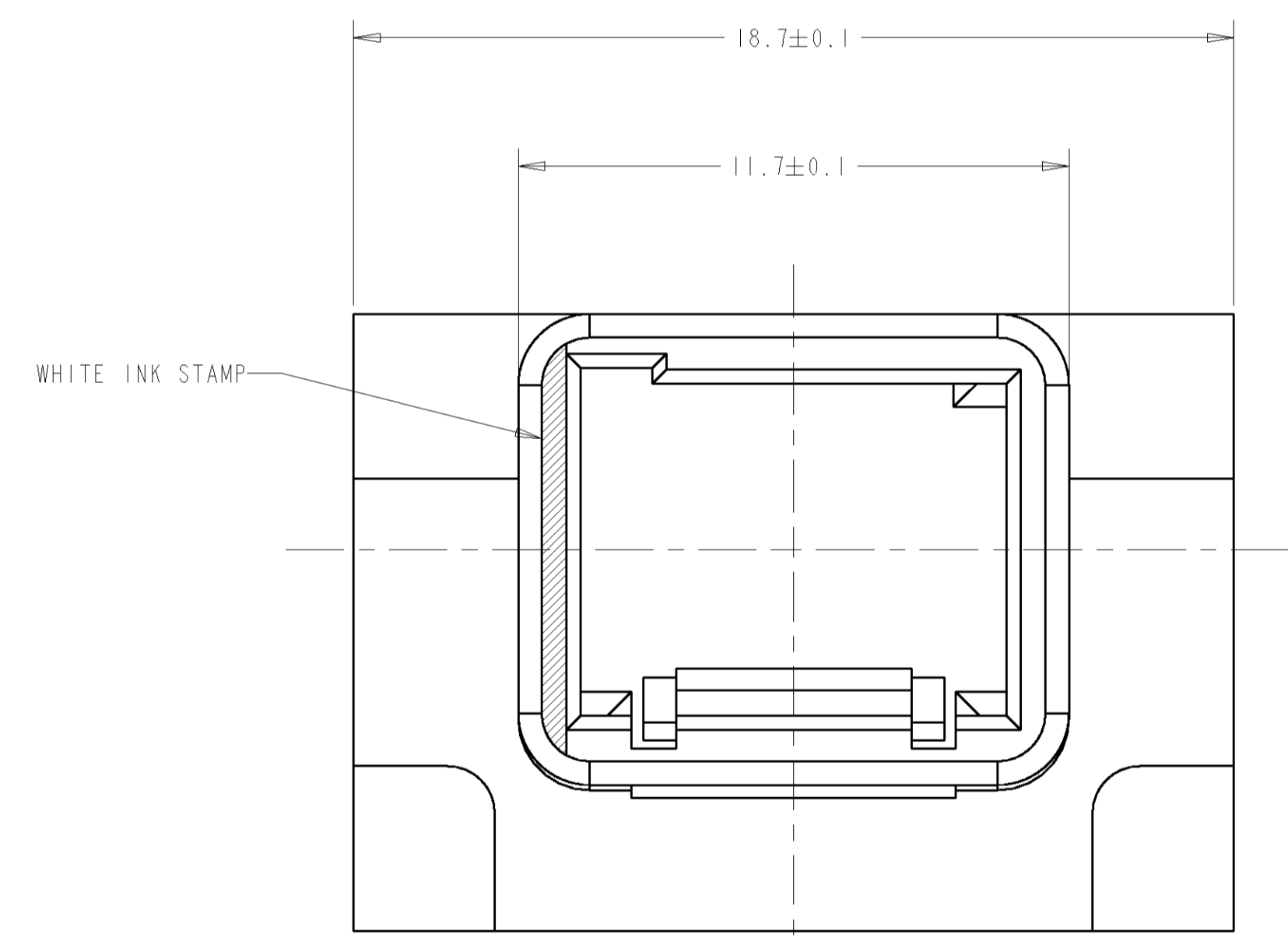
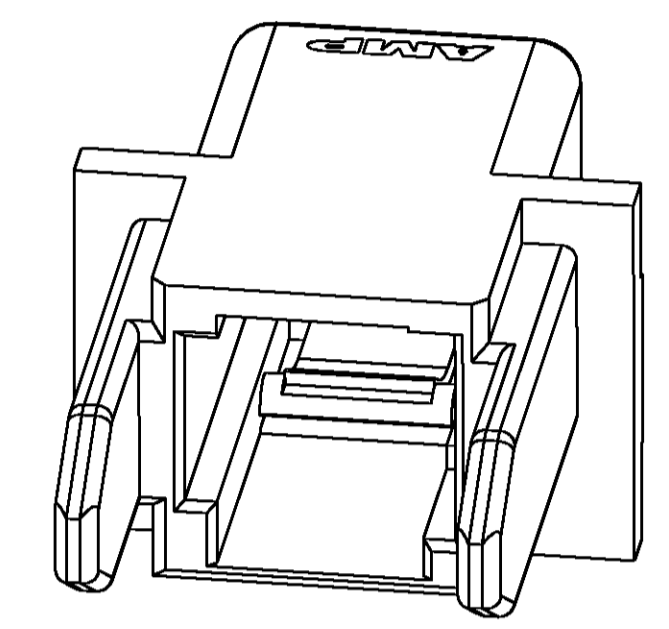
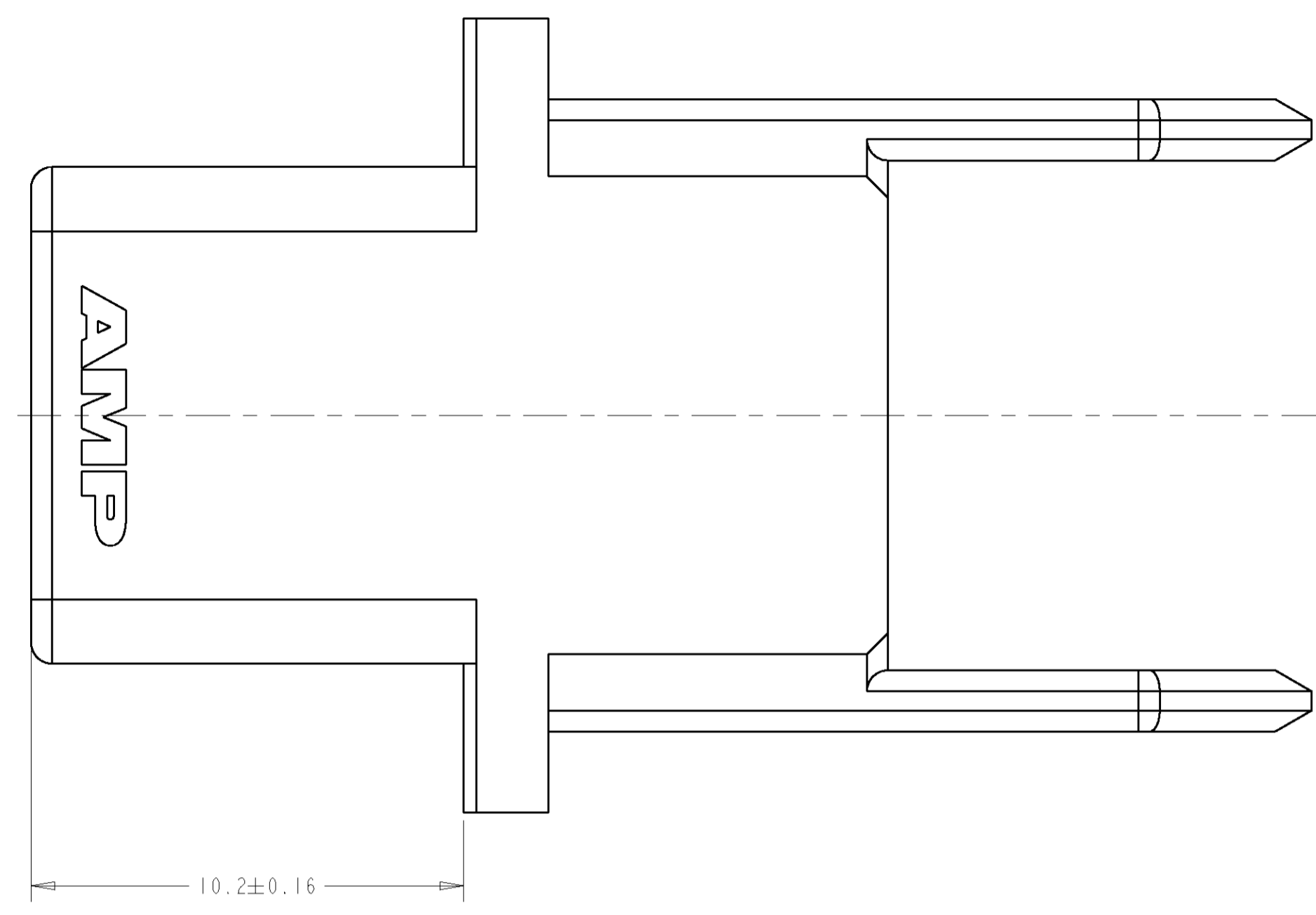


LOC	DIST	REVISIONS					
		F	LTW	DESCRIPTION	DATE	DWN	APPD
CE	16	O		RELEASED PER NPR 97-560	13JAN98	TG	LB
		A		REVISED PER EC 0A00-0264-01	09OCT01	EB	AP



**NOTES:**  
 MATERIAL: VALOX 420SE0, UL 94 V-0, COLOR: BLACK  
 2 HOUSING DESIGNED TO BE INSTALLED WITH RETENTION CLIP P/N 492740-2, USING SEATING TOOL, P/N 1374662-2 OR 1278315-1, AND MOTHER BOARD SUPPORT, P/N 492493-1. REFER TO INSTRUCTION SHEET 408-8331.

492739-1  
 PART NUMBER

<small>THIS DRAWING IS A CONTROLLED DOCUMENT FOR AMP INCORPORATED. ALL CHANGES TO THIS DRAWING ARE CONTROLLED BY THE ORGANIZATION AND SHOULD BE CONTACTED FOR THE LATEST REVISION.</small>		DWN: T. GREEN 08JAN98 ENW: L. BARKUS 13JAN98 APPD: L. BARKUS 13JAN98	NAME: AMP Incorporated ADDRESS: Harrisburg, PA 17105-3608
DIMENSIONS: mm TOLERANCES UNLESS OTHERWISE SPECIFIED: 0 PLC ± 1 PLC ±0.3 2 PLC ±0.10 3 PLC ±0.001 4 PLC ±0.0001 ANGLES ±1°	PRODUCT SPEC: - APPLICATION SPEC: - WEIGHT: - FINISH: -	PRODUCT SPEC: - APPLICATION SPEC: - WEIGHT: - FINISH: -	NAME: HOUSING, MOTHERBOARD, SINGLE POSITION BACKPLANE SIZE: A CAGE CODE: 00779 DRAWING NO: C=492739 RESTRICTED TO: - SCALE: 8:1 SHEET: 1 OF 1 REV: A
MATERIAL:		CUSTOMER DRAWING	AMP Incorporated