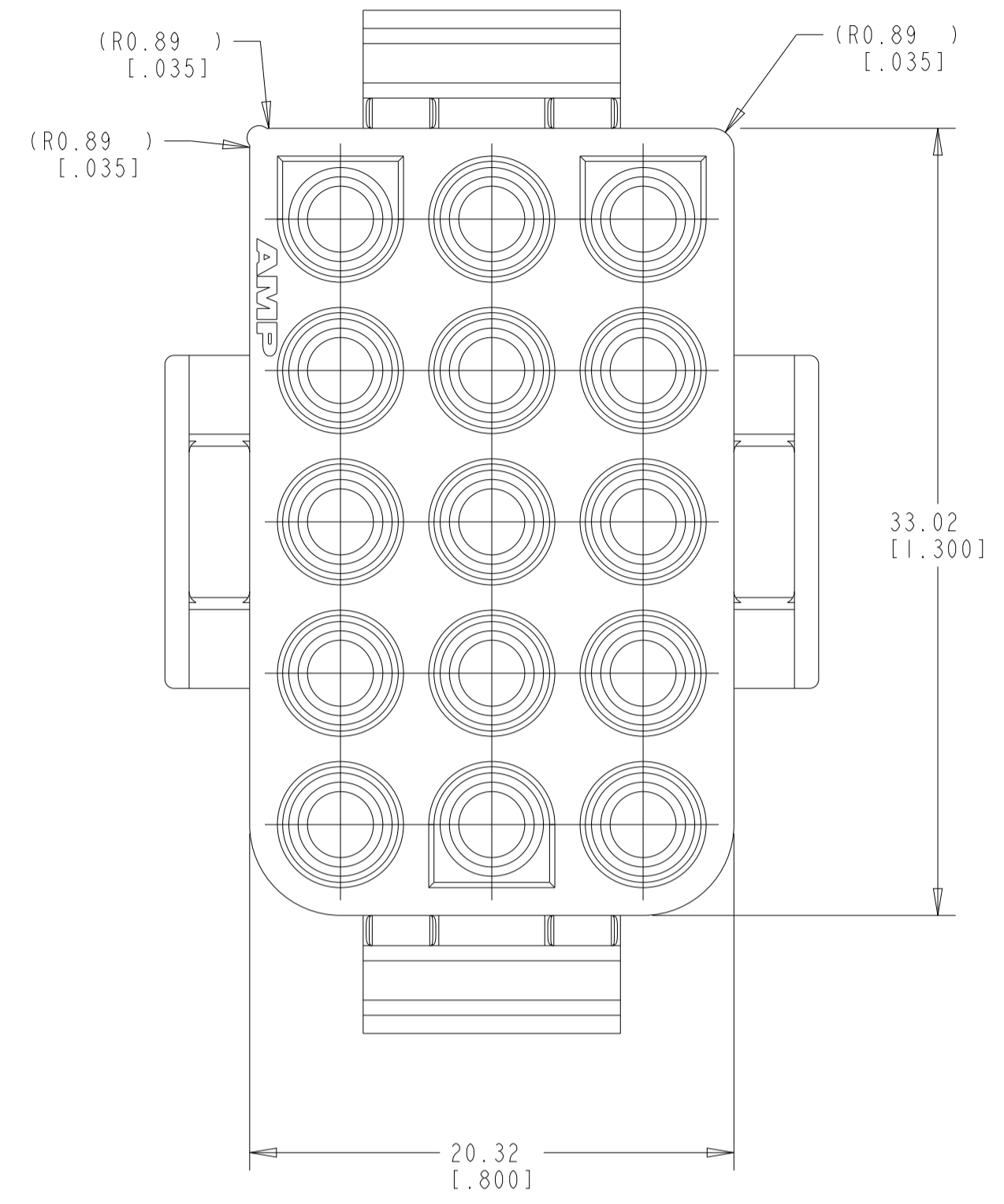
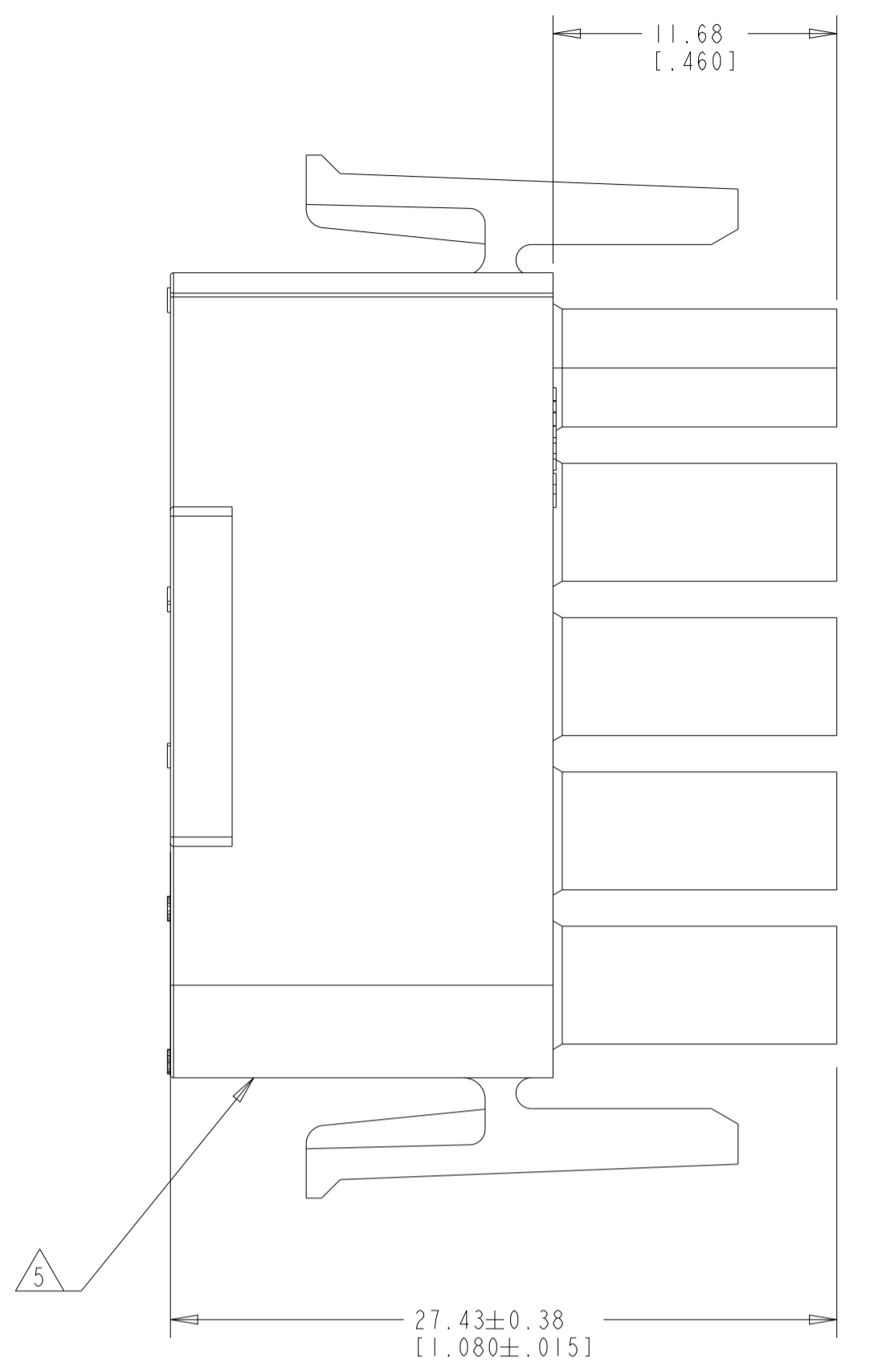
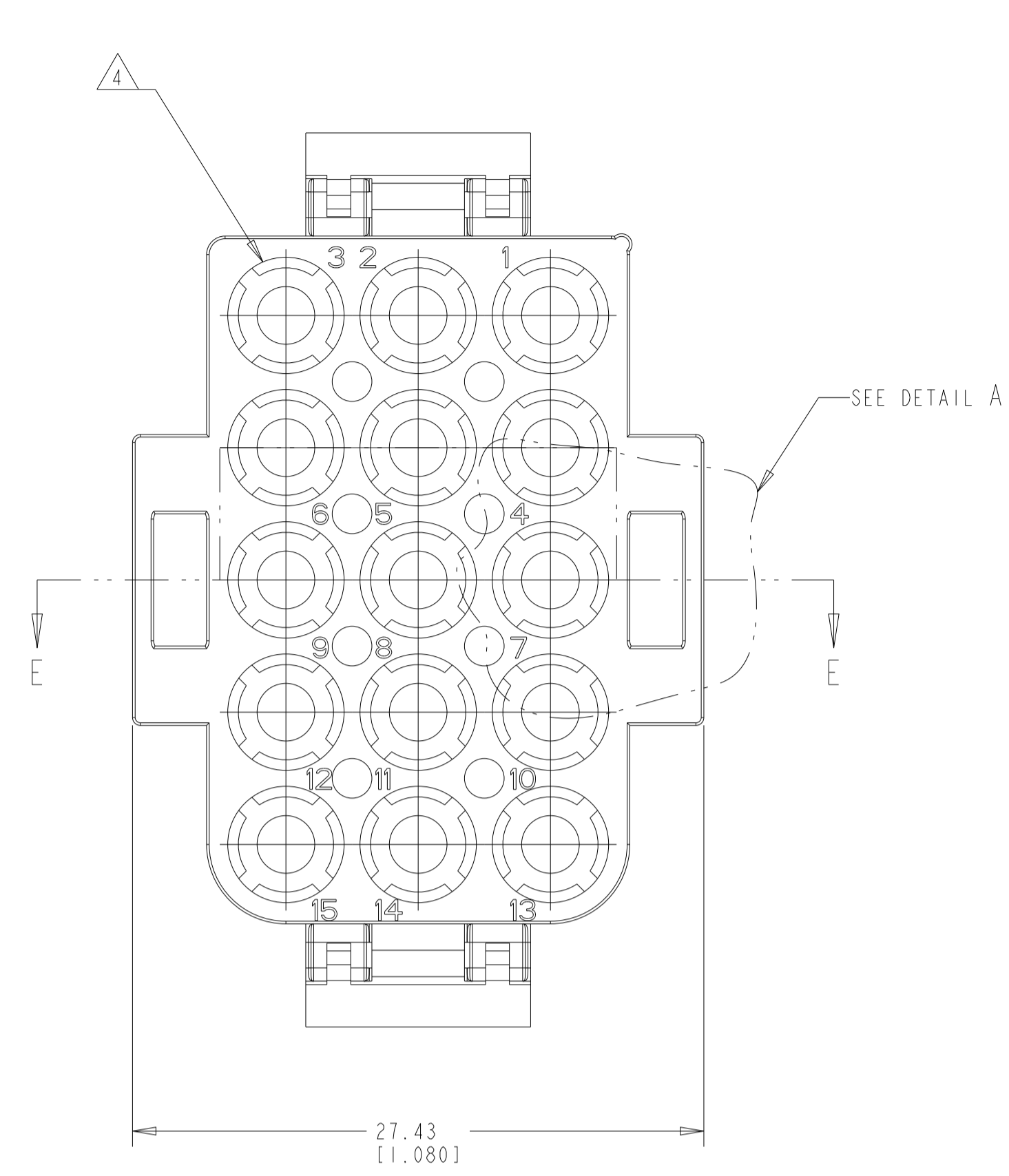
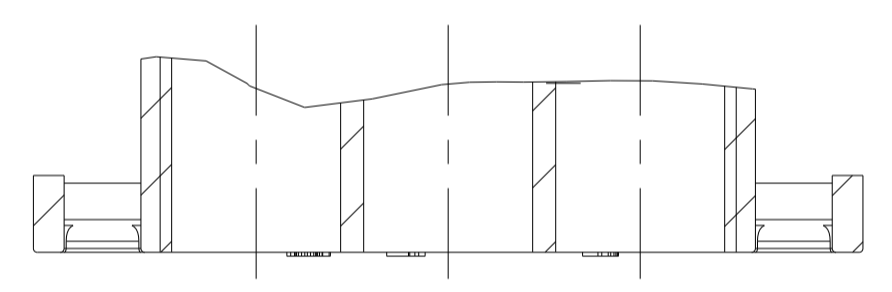


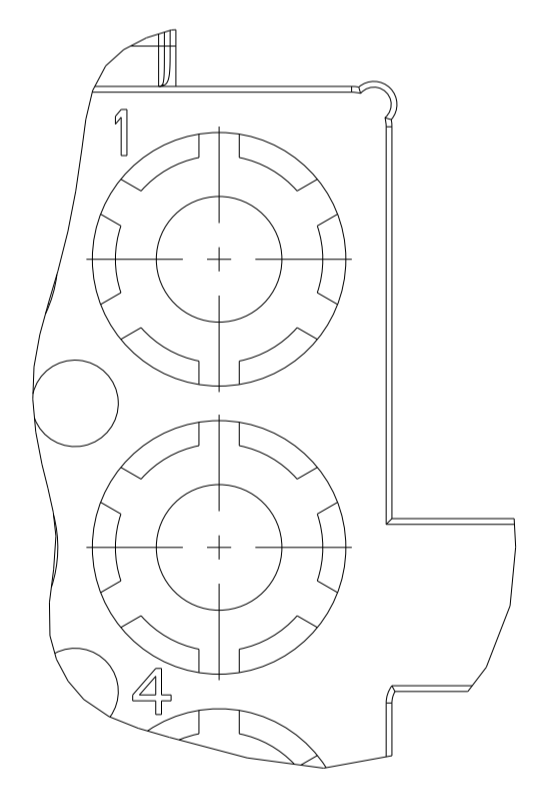
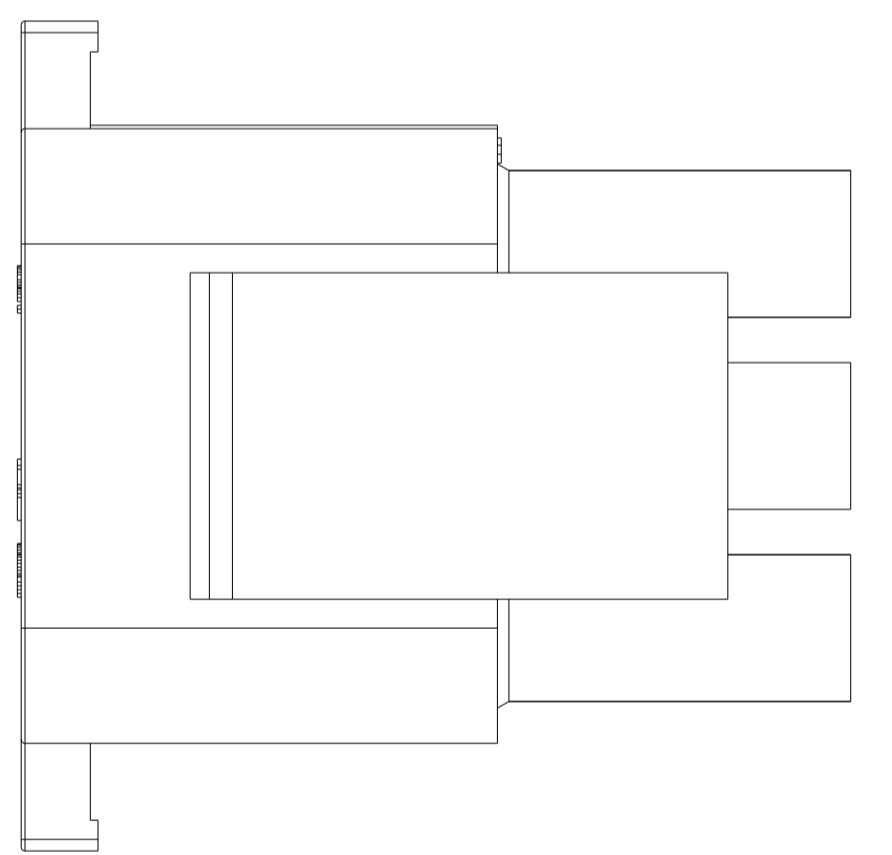
REVISIONS				
P	LTN	DESCRIPTION	DATE	OWN APVD
	ANI	REVISED PER ECR-17-008392	26 JUN 2017	BW KR
	AP	REVISED PER ECR-24-218682	09 SEP 2024	AK BR



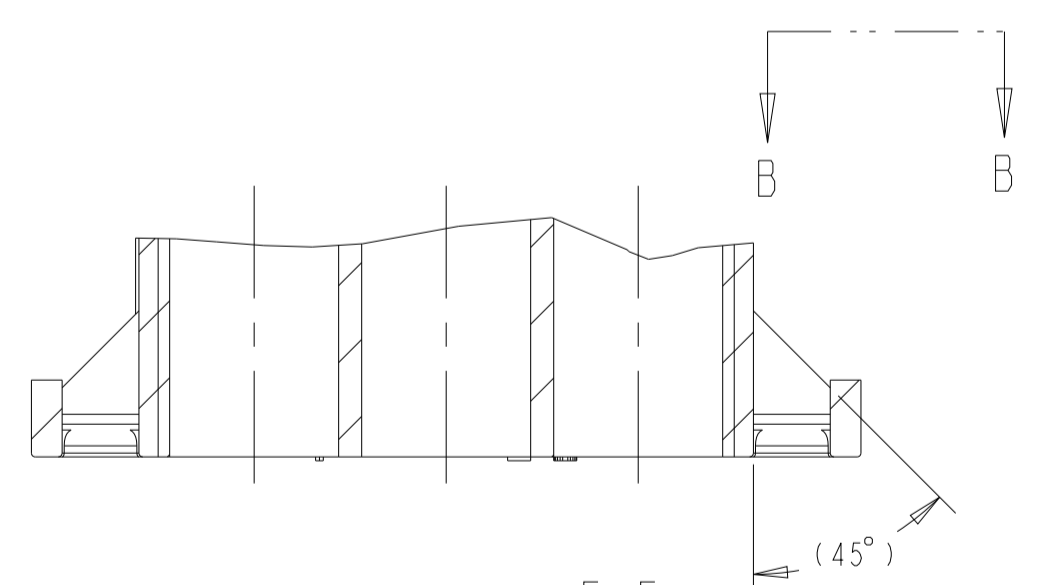
- MATES WITH APPROPRIATE UNIVERSAL MATE-N-LOK CAP OR HEADER.
 - SMALL NICKS ARE PERMITTED ON THE CIRCUIT TOWERS WHICH COULD INCREASE THE INITIAL HOUSING MATING FORCE BY UP TO 4.4 NEWTONS (1.0 LBS). NO INDIVIDUAL NICKED TOWER SHALL INCREASE THIS FORCE BY OVER 2.2 NEWTONS (0.5 LBS).
 - DIMENSIONS SHOWN REPRESENT PRODUCT IN DRY, AS MOLDED, CONDITION. ADDITIONAL 2% GROWTH DUE TO SUBSEQUENT MOISTURE ABSORPTION MAY OCCUR AND SHOULD BE ACCOUNTED FOR.
- 4 FOUR RIBS EQUALLY SPACED, NO SPECIFIC ORIENTATION, OR SIX RIBS EQUALLY SPACED, NO SPECIFIC ORIENTATION, OPTIONAL.
- 5 UNDERWRITERS RECOGNIZED COMPONENT LOGO AND CSA CERTIFICATION LOGO TO BE LOCATED ONCE EACH ON SIDE OF HOUSING.
- 6 OBSOLETE PARTS: OBSOLETE CIS STREAMLINING PER D.RENAUD/D.SINISI



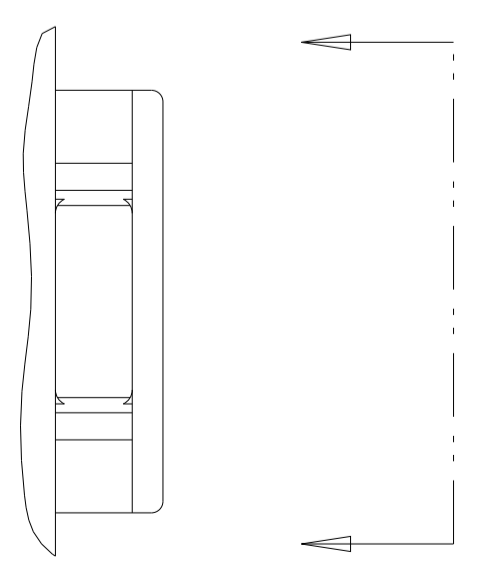
PARTIAL SECTION E-E



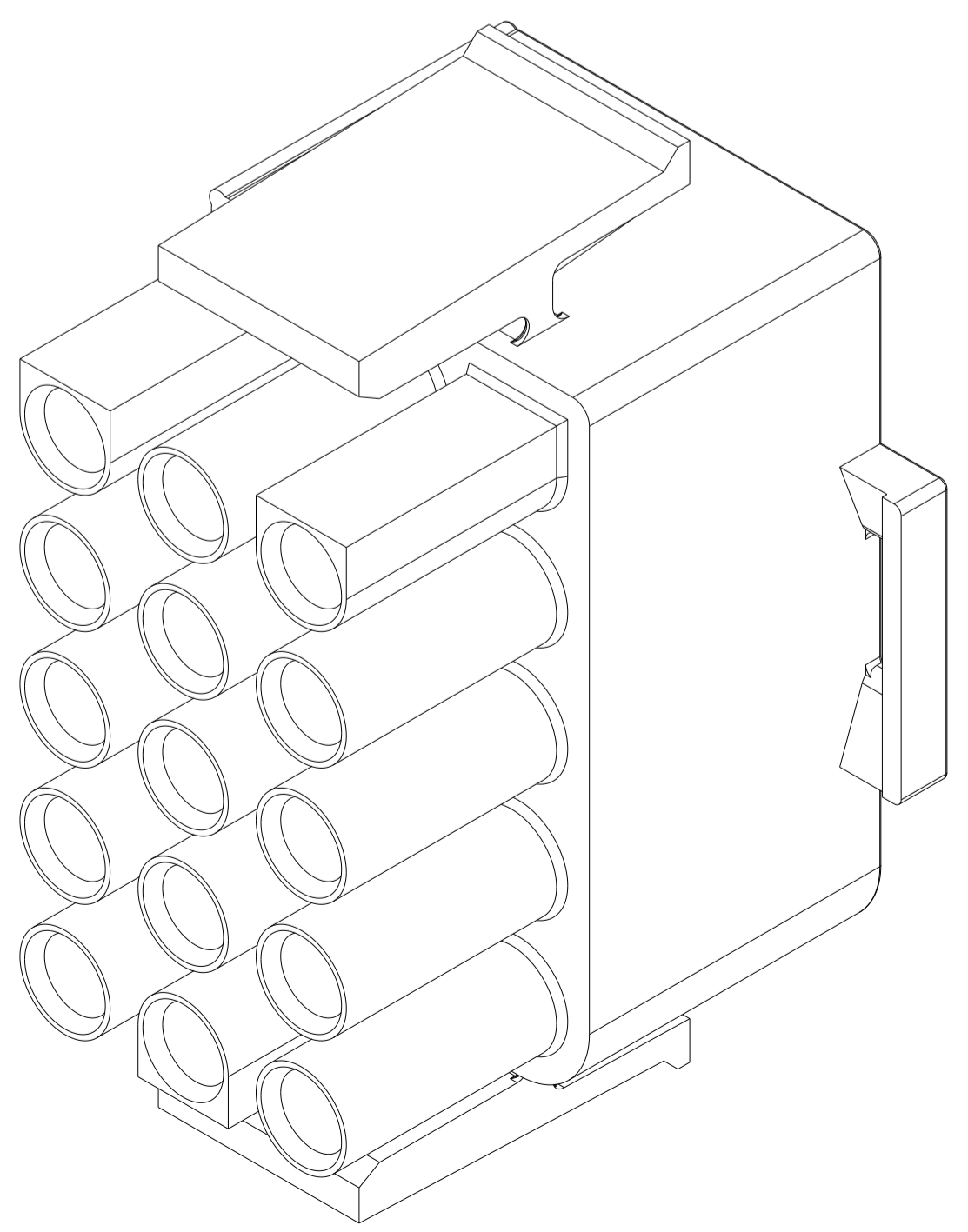
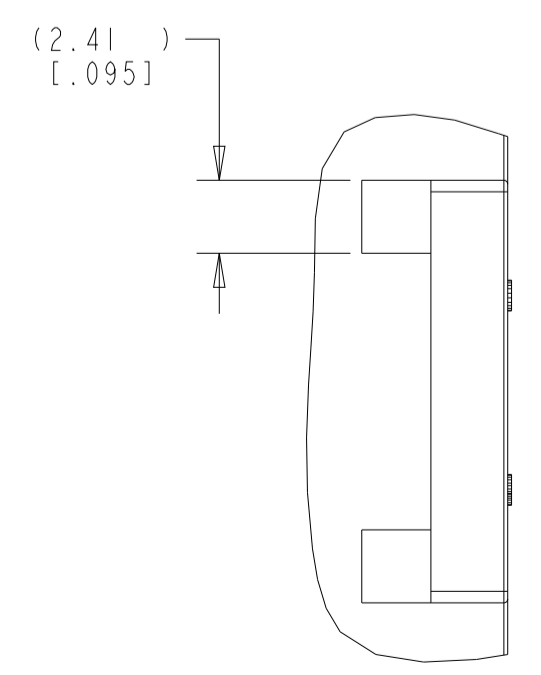
DETAIL A 4
SCALE 6:1
OPTIONAL CONSTRUCTIONS



PARTIAL SECTION E-E
OPTIONAL CONSTRUCTION



VIEW B
OPTIONAL CONSTRUCTIONS



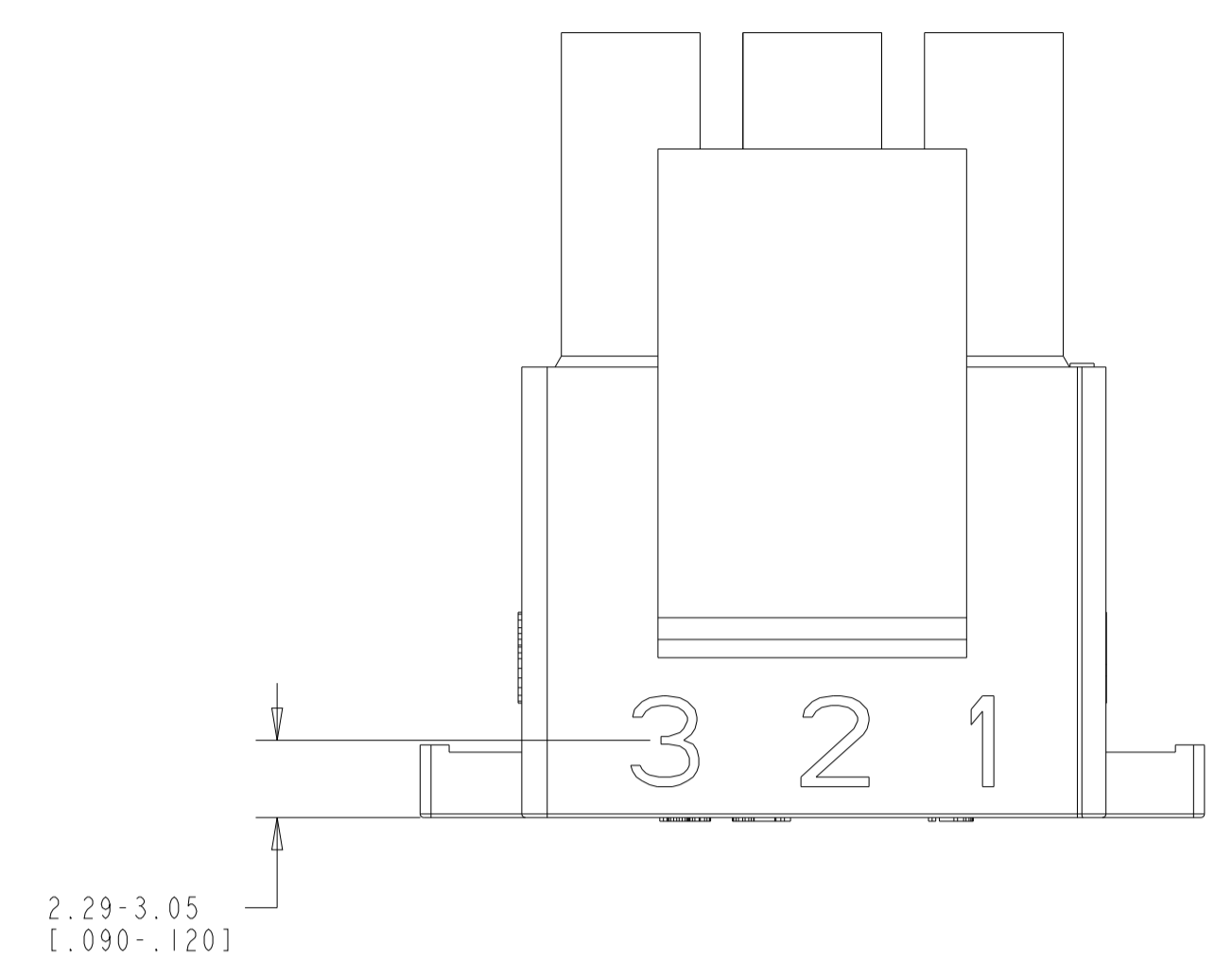
6	OBSELETE	BLACK	1-480710-9
6	OBSELETE	GRAY	1-480710-8
6	OBSELETE	BLUE	1-480710-6
6	OBSELETE	GREEN	1-480710-5
6	SUPERSEDED BY 1-480710-0	YELLOW	1-480710-4
6	OBSELETE	ORANGE	1-480710-3
		RED	1-480710-2
		BROWN	1-480710-1
		NATURAL	1-480710-0
		COLOR	PART NUMBER

THIS DRAWING IS A CONTROLLED DOCUMENT. DWN K. WHITAKER 02SEP2004
CHK S. RIDGILL

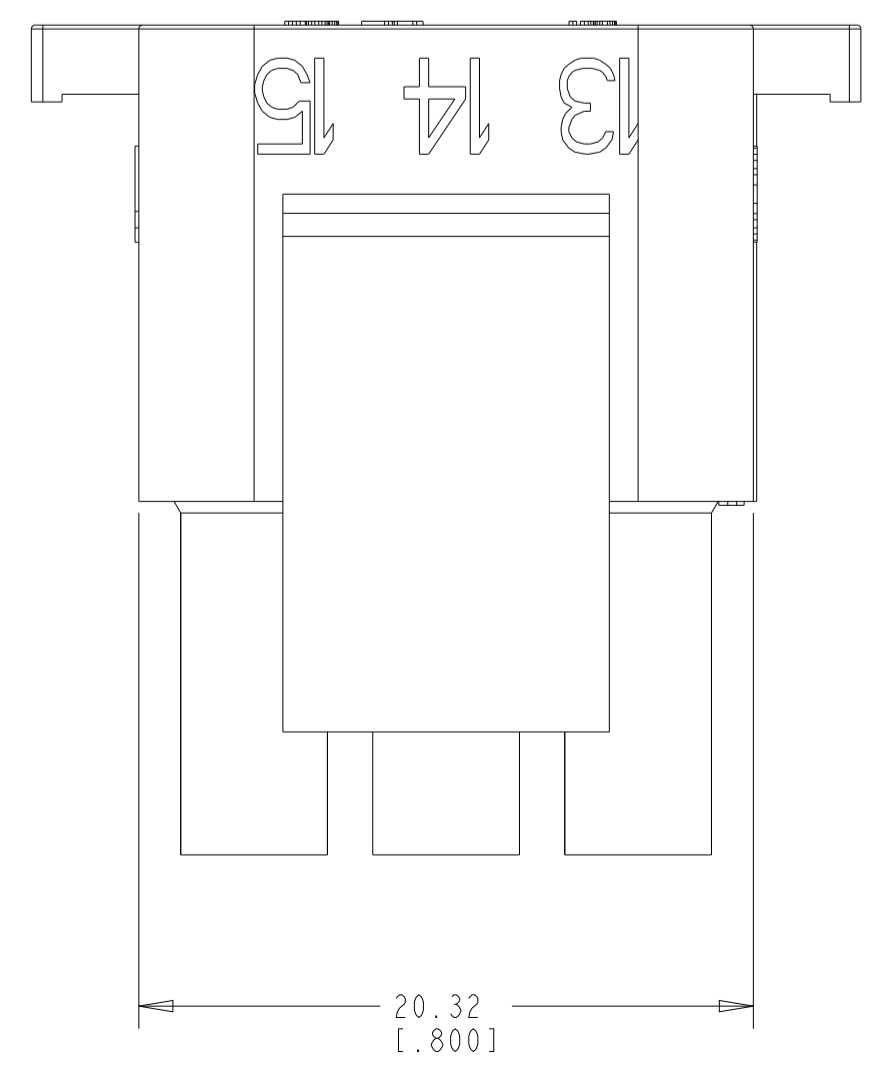
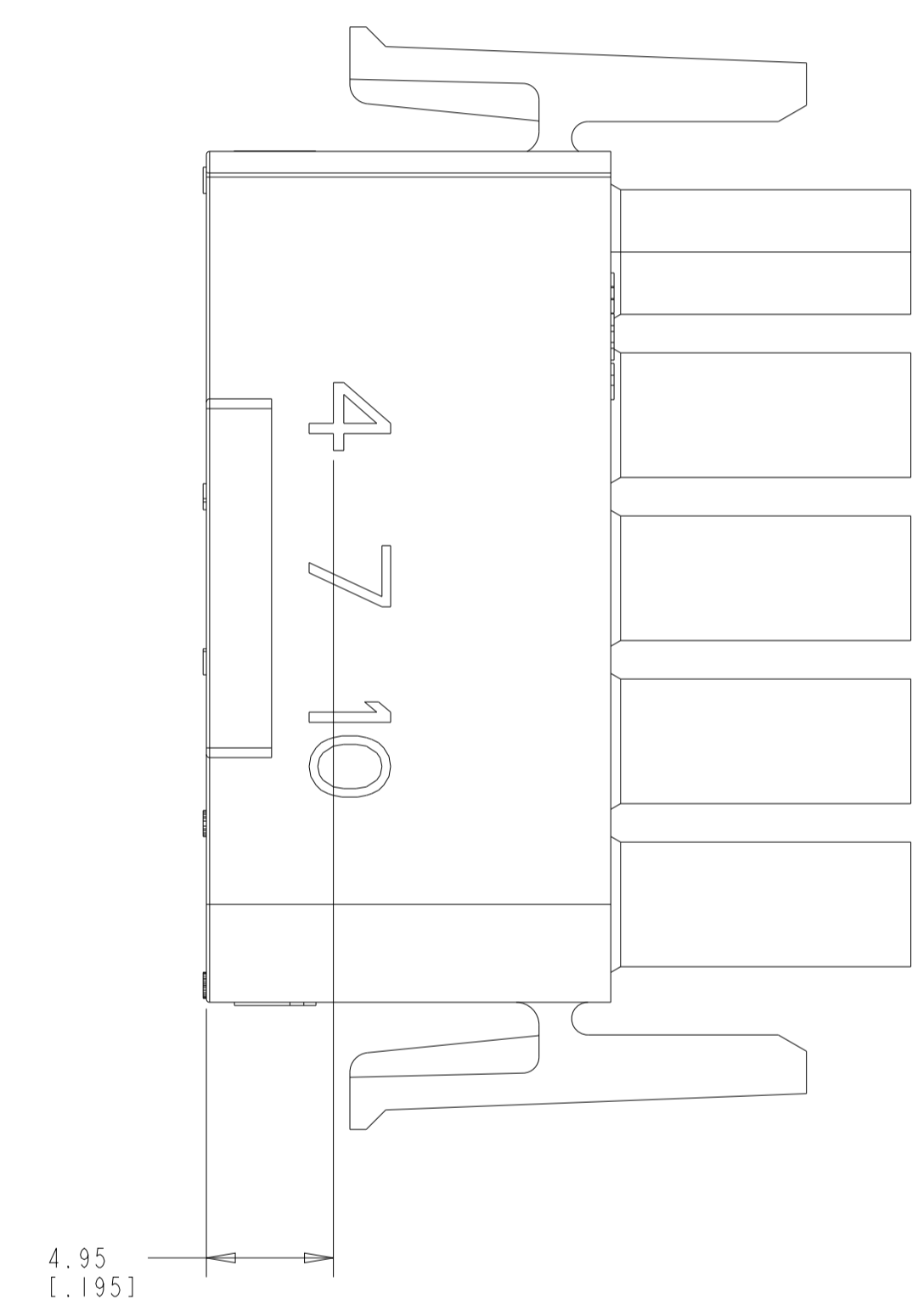
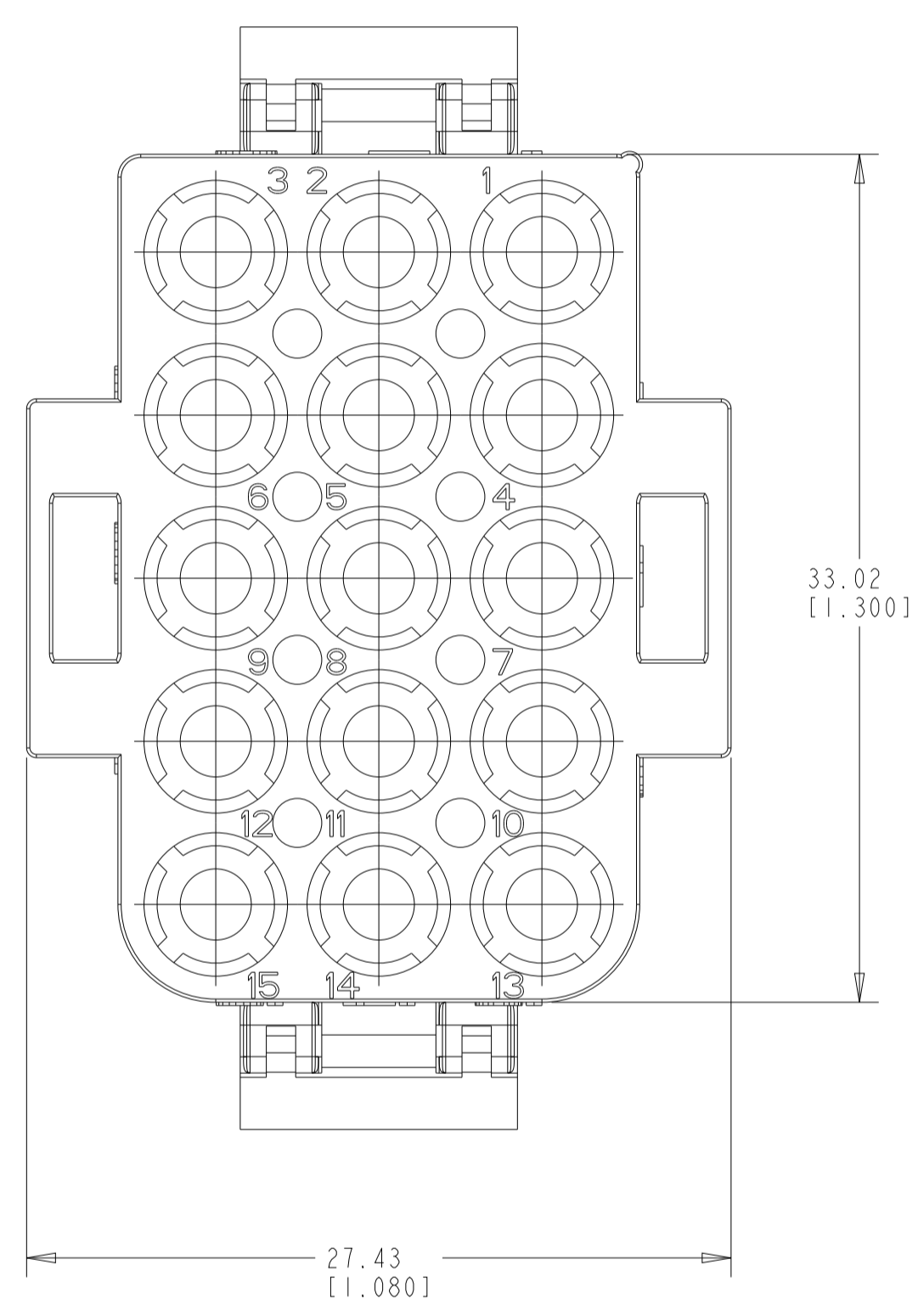
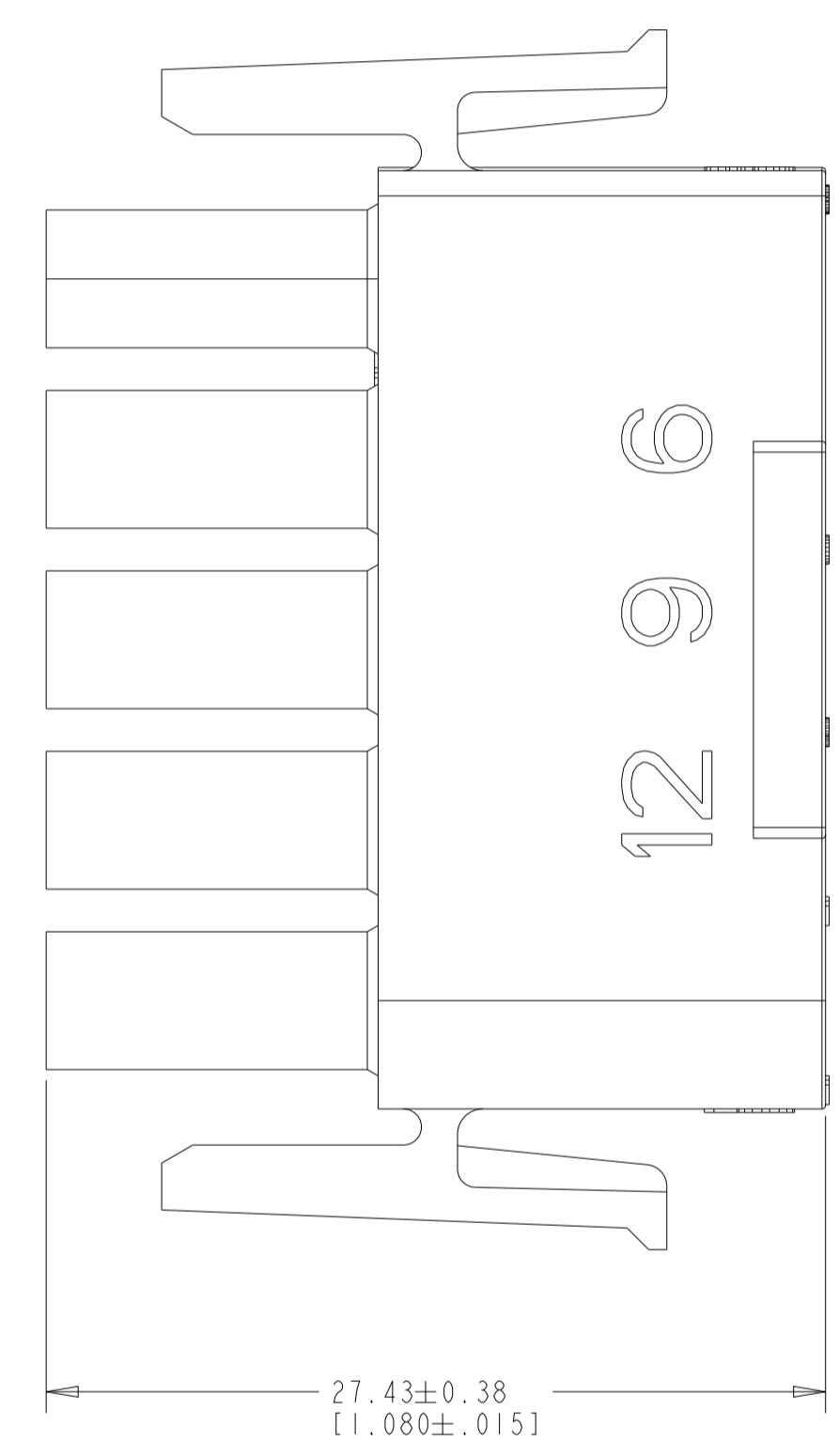
DIMENSIONS:	TOLERANCES UNLESS OTHERWISE SPECIFIED:	NAME	PLUG, 15 CIRCUIT, UNIVERSAL MATE-N-LOK
mm [INCHES]	0 PLC ± 2 PLC ±0.13 [0.005] 3 PLC ± 4 PLC ± ANGLES ±0°30'	PRODUCT SPEC	
		APPLICATION SPEC	
MATERIAL	FINISH	SIZE	CAGE CODE
NYLON, UL 94V-2		A	00779
		DRAWING NO	C=480710
		RESTRICTED TO	
		CUSTOMER DRAWING	
		SCALE	4:1
		SHEET	1 OF 2
		REV	AP

TE Connectivity

REVISIONS				
P	LTN	DESCRIPTION	DATE	APVD
-		SEE SHEET 1	-	-



1. STAMP NUMBERS 3.18 HIGH AT WIRE END OF HOUSING (12 POINT DAVID TYPE).
2. CHARACTERS TO BE POSITIONED ON HOUSING TO BE READ FROM WIRE END ONLY.
3. VIOLET, BLACK, BROWN, AND BLUE COLORED BLOCKS TO BE STAMPED WITH WHITE CHARACTERS. ALL OTHER COLORED BLOCKS TO BE STAMPED WITH BLACK CHARACTERS.



NATURAL	2-480710-0
COLOR	PART NUMBER

THIS DRAWING IS A CONTROLLED DOCUMENT.		DWN K. WHITAKER	02SEP2004		
DIMENSIONS: mm [INCHES]		CHK S. RIDGILL			
TOLERANCES UNLESS OTHERWISE SPECIFIED:		APVD S. RIDGILL		NAME PLUG, 15 CIRCUIT, UNIVERSAL MATE-N-LOK	
0 PLC	±	PRODUCT SPEC		APPLICATION SPEC	
1 PLC	±			RESTRICTED TO	
2 PLC	±0.13 [1.005]			SIZE CAGE CODE DRAWING NO	
3 PLC	±			A 00779 C=480710	
4 PLC	±			WEIGHT	
ANGLES	±			CUSTOMER DRAWING	
FINISH	±0°30'			SCALE 4:1 SHEET 2 OF 2 REV AP	
MATERIAL NYLON, UL 94V-2					