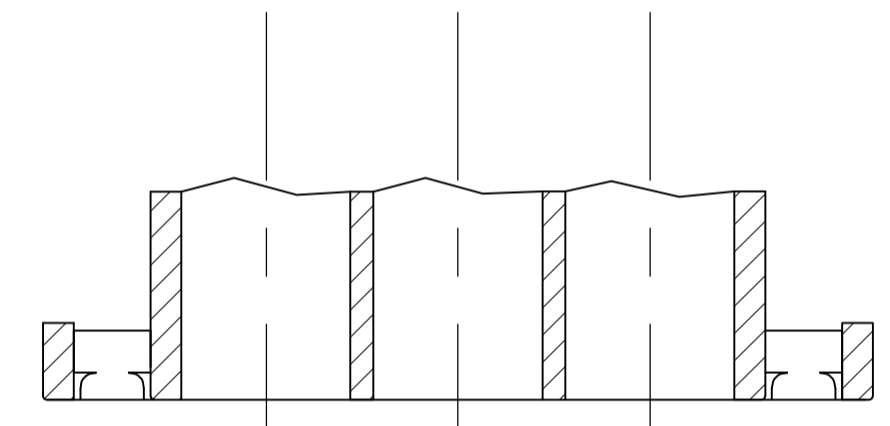
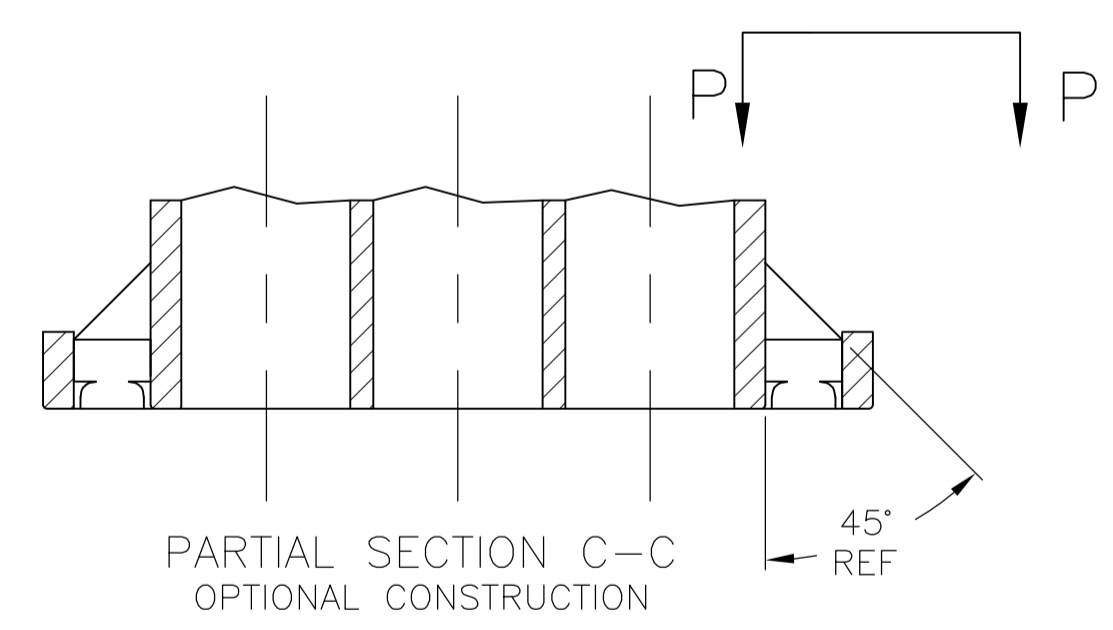


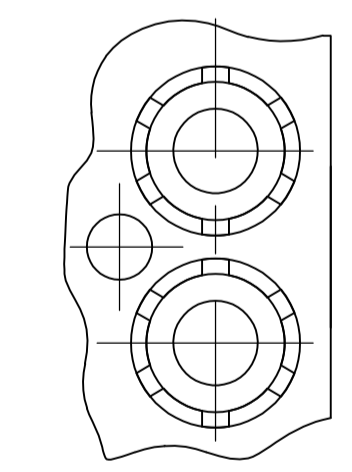
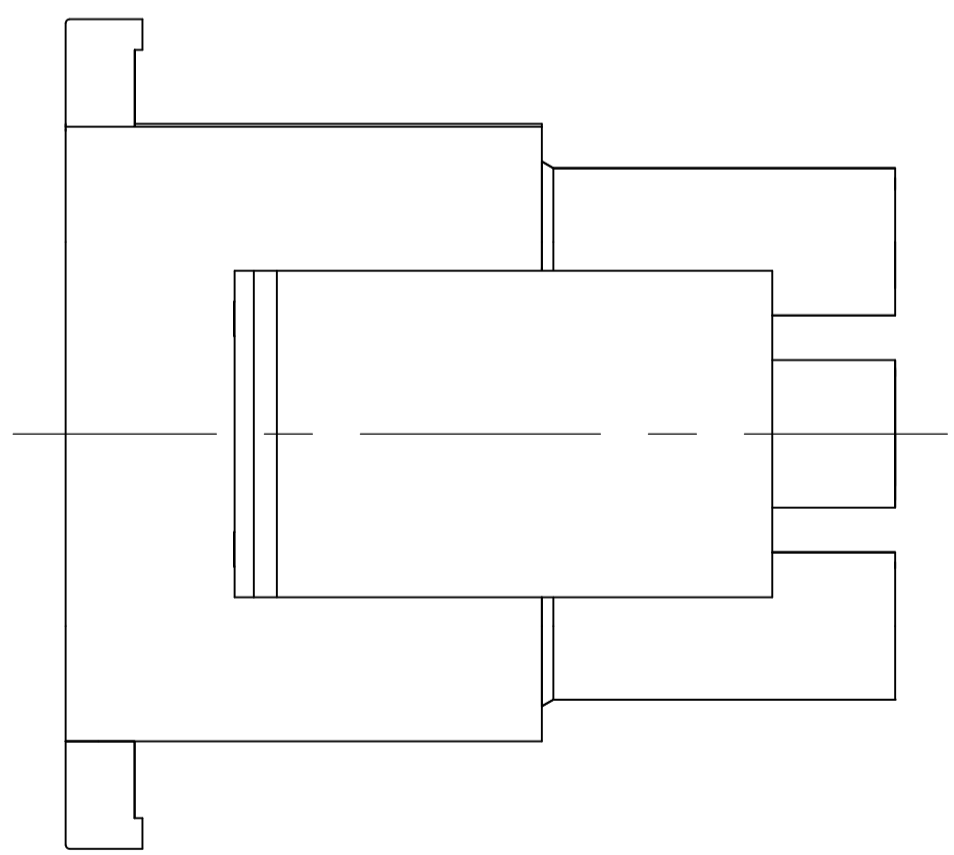
- MATES WITH APPROPRIATE UNIVERSAL MATE-N-LOK™ CAP OR HEADER.
 - SMALL NICKS ARE PERMITTED ON THE CIRCUIT TOWERS WHICH COULD INCREASE THE INITIAL HOUSING MATING FORCE BY UP TO 4.4 NEWTONS [1.0 LBS]. NO INDIVIDUAL NICKED TOWER SHALL INCREASE THIS FORCE BY OVER 2.2 NEWTONS [.5 LBS].
 - DIMENSIONS SHOWN REPRESENT PRODUCT IN DRY, AS MOLDED, CONDITION. ADDITIONAL 2% GROWTH DUE TO SUBSEQUENT MOISTURE ABSORPTION MAY OCCUR AND SHOULD BE ACCOUNTED FOR.
- △4 FOUR RIBS EQUALLY SPACED, NO SPECIFIC ORIENTATION, OR SIX RIBS EQUALLY SPACED, NO SPECIFIC ORIENTATION, OPTIONAL.
- △5 UNDERWRITERS RECOGNIZED COMPONENT LOGO AND CSA CERTIFICATION LOGO TO BE LOCATED ONCE EACH ON SIDE OF HOUSING.
- △6 OBSOLETE PARTS: OBSOLETE CIS STREAMLINING PER D.RENAUD/D.SINISI



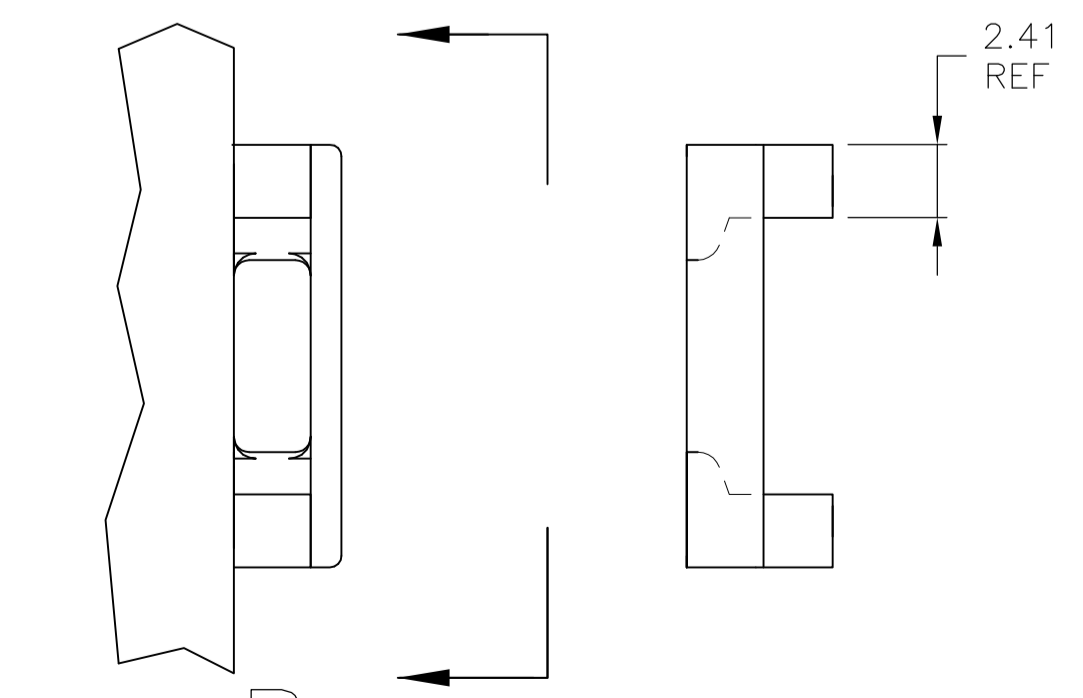
PARTIAL SECTION C-C



PARTIAL SECTION C-C
OPTIONAL CONSTRUCTION



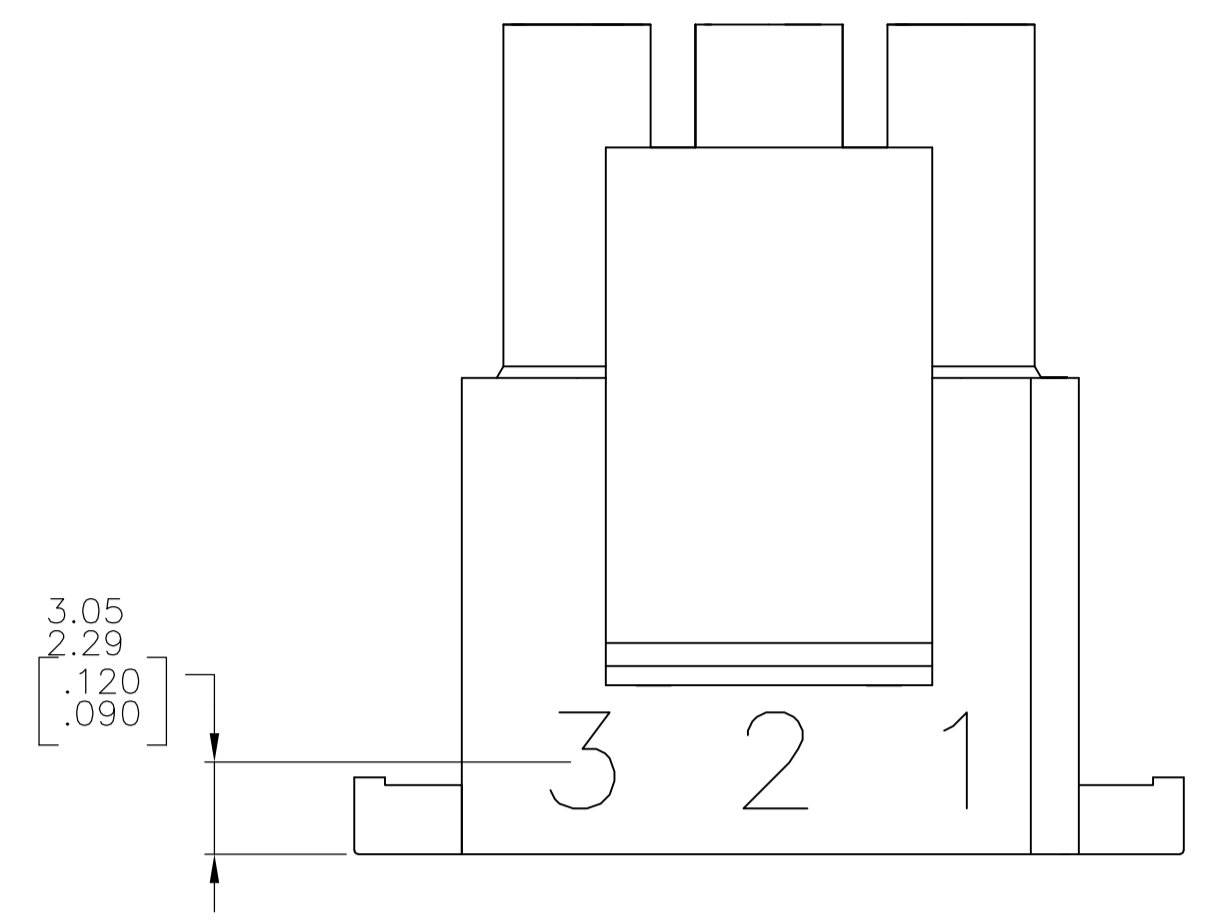
PARTIAL DETAIL A △4
OPTIONAL CONSTRUCTIONS



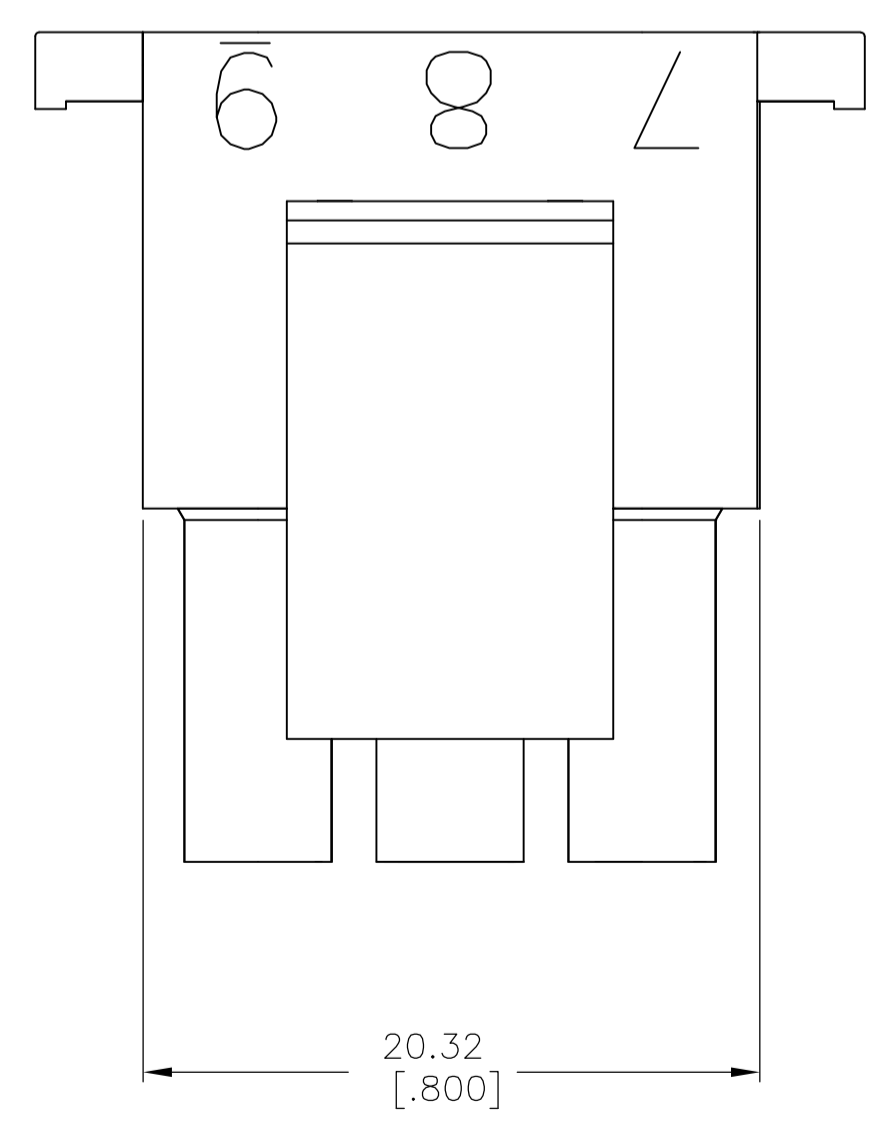
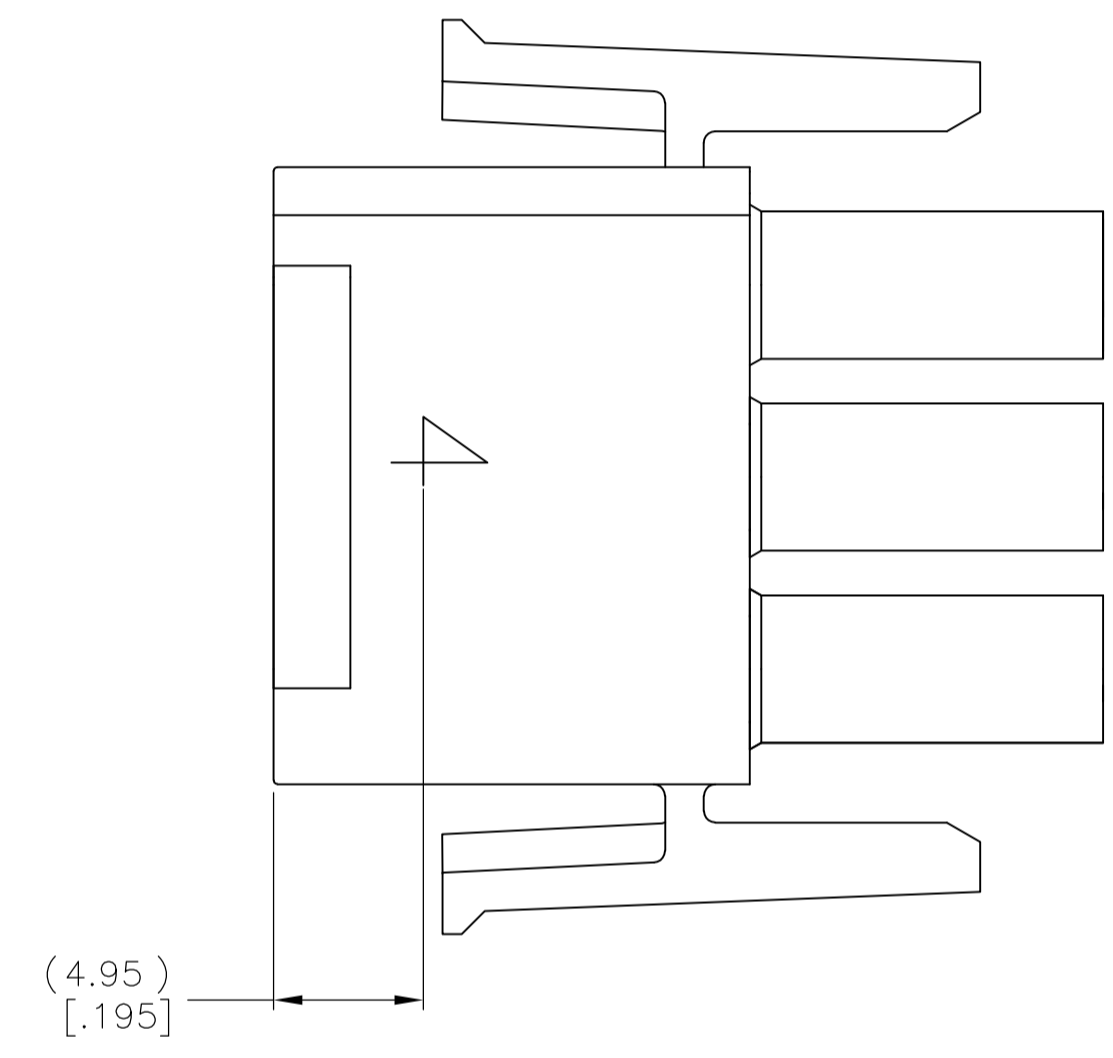
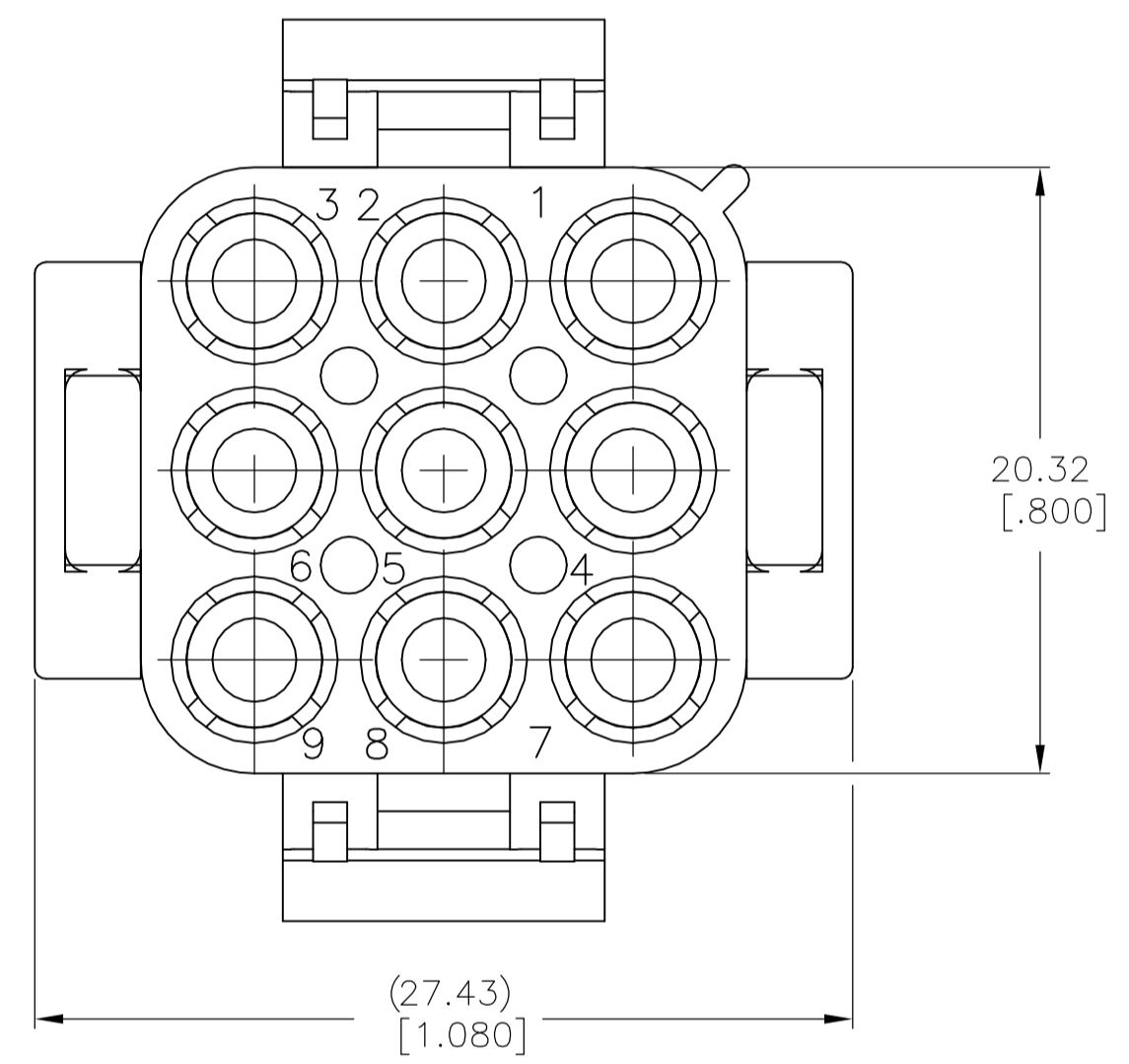
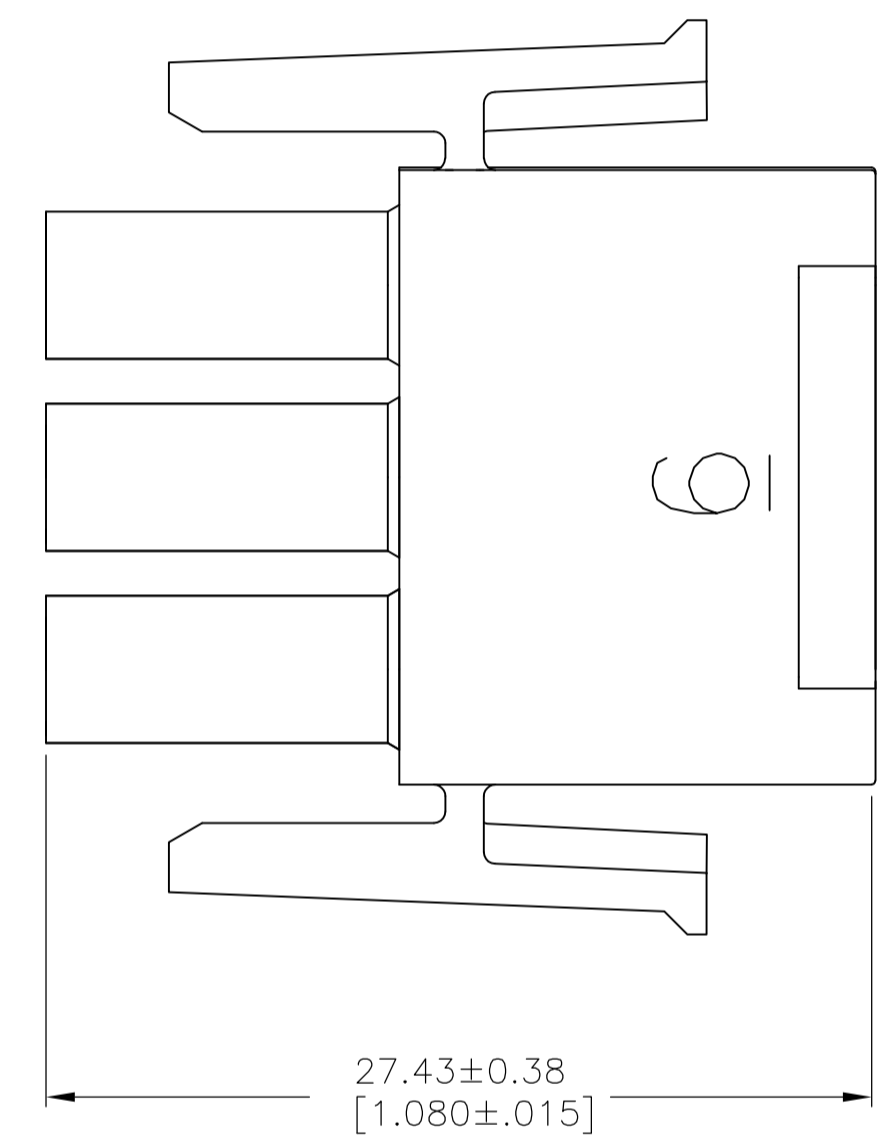
VIEW P
OPTIONAL CONSTRUCTIONS

△6 SUPERCEDED BY 1-480706-0	△6 OBSOLETE	BLACK	1-480706-9
		GRAY	1-480706-8
		BLUE	1-480706-6
		GREEN	1-480706-5
		YELLOW	1-480706-4
		ORANGE	1-480706-3
		RED	1-480706-2
		BROWN	1-480706-1
		NATURAL	1-480706-0
		COLOR	PART NO.

THIS DRAWING IS A CONTROLLED DOCUMENT.		DWN	K. WHITAKER	01SEP04
DIMENSIONS: mm [INCHES]		CHK	S. RIDGILL	01SEP04
TOLERANCES UNLESS OTHERWISE SPECIFIED:		APVD	S. RIDGILL	01SEP04
0. PLC	± -	NAME	PLUG, 9 CIRCUIT, UNIVERSAL MATE-N-LOK™	
1. PLC	± -	PRODUCT SPEC	-	
2. PLC	± 0.13 [.005]	APPLICATION SPEC	-	
3. PLC	± -	SIZE	A1	00779
4. PLC	± -	WEIGHT	-	
ANGLES	± 0.30°	CUSTOMER DRAWING	-	
MATERIAL	NYLON, UL94V-2	SCALE	4:1	
FINISH	-	SHEET	1 OF 2	
		REV	AL1	



1. STAMP NUMBERS 3.18 [.125] HIGH AT WIRE END OF HOUSING (12 POINT DAVID TYPE).
2. CHARACTERS TO BE POSITIONED ON HOUSING TO BE READ FROM WIRE END ONLY.
3. VIOLET, BLACK, BROWN, AND BLUE COLORED BLOCKS TO BE STAMPED WITH WHITE CHARACTERS. ALL OTHER COLORED BLOCKS TO BE STAMPED WITH BLACK CHARACTERS.



NATURAL	2-480706-0
COLOR	PART NUMBER

THIS DRAWING IS A CONTROLLED DOCUMENT.		DIN K. WHITAKER 01SEP2004		NATURE	
DIMENSIONS: mm [INCHES]		CHK S. RIDGILL 01SEP2004		COLOR	
TOLERANCES UNLESS OTHERWISE SPECIFIED:		APVD S. RIDGILL 01SEP2004		NAME	
0 PLC ± -	1 PLC ± -	PRODUCT SPEC		PLUG, 9 CIRCUIT, UNIVERSAL MATE-N-LOK	
2 PLC ± 0.13 [.005]	3 PLC ± -	APPLICATION SPEC		SIZE CAGE CODE DRAWING NO	
4 PLC ± -	ANGLES ± 0°30'	WEIGHT		RESTRICTED TO	
MATERIAL -	FINISH -	A1 00779 C=480706		CUSTOMER DRAWING	
				SCALE 4:1	SHEET 2 OF 2
				REV AL1	