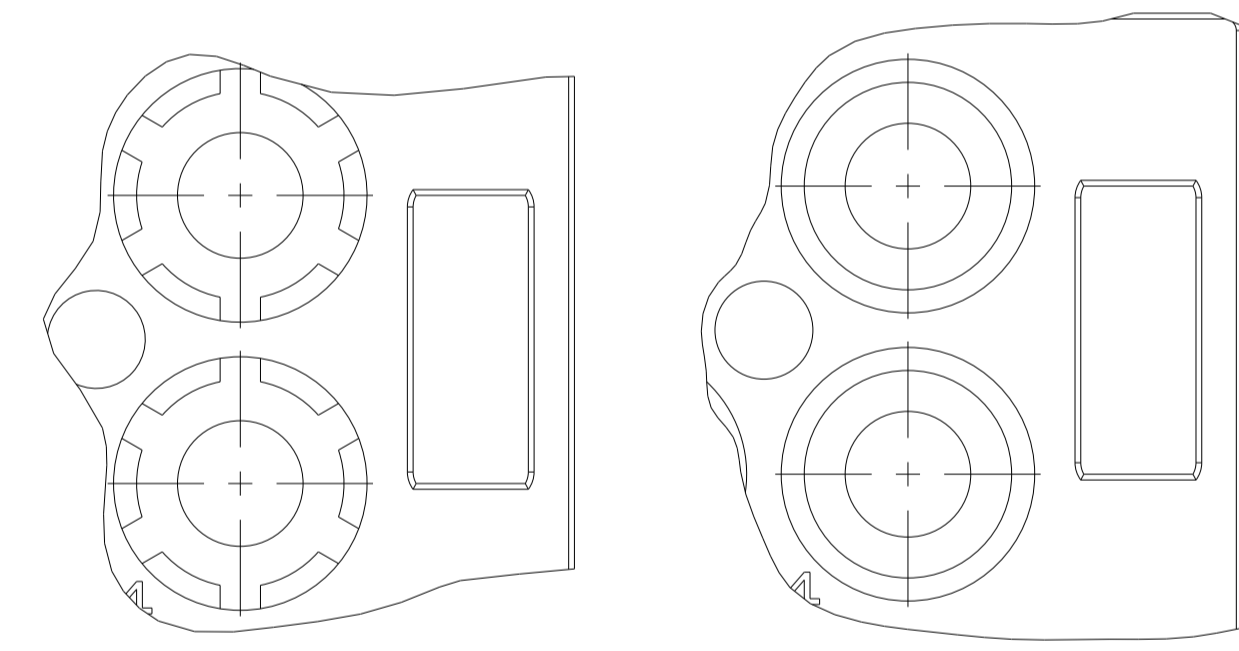
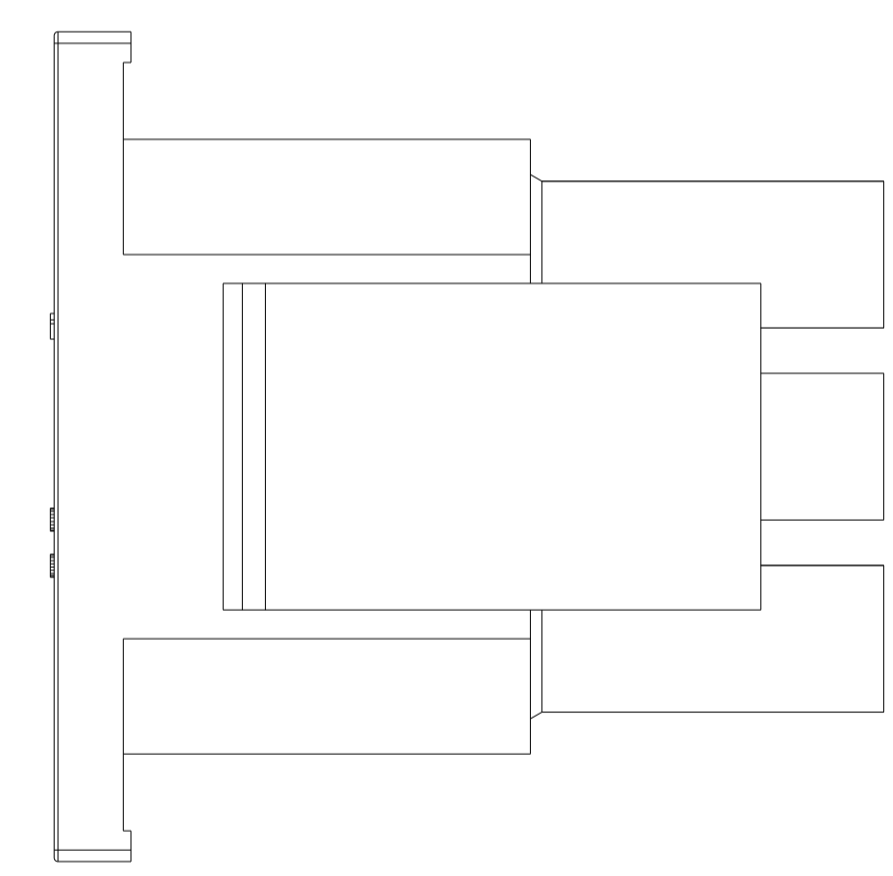
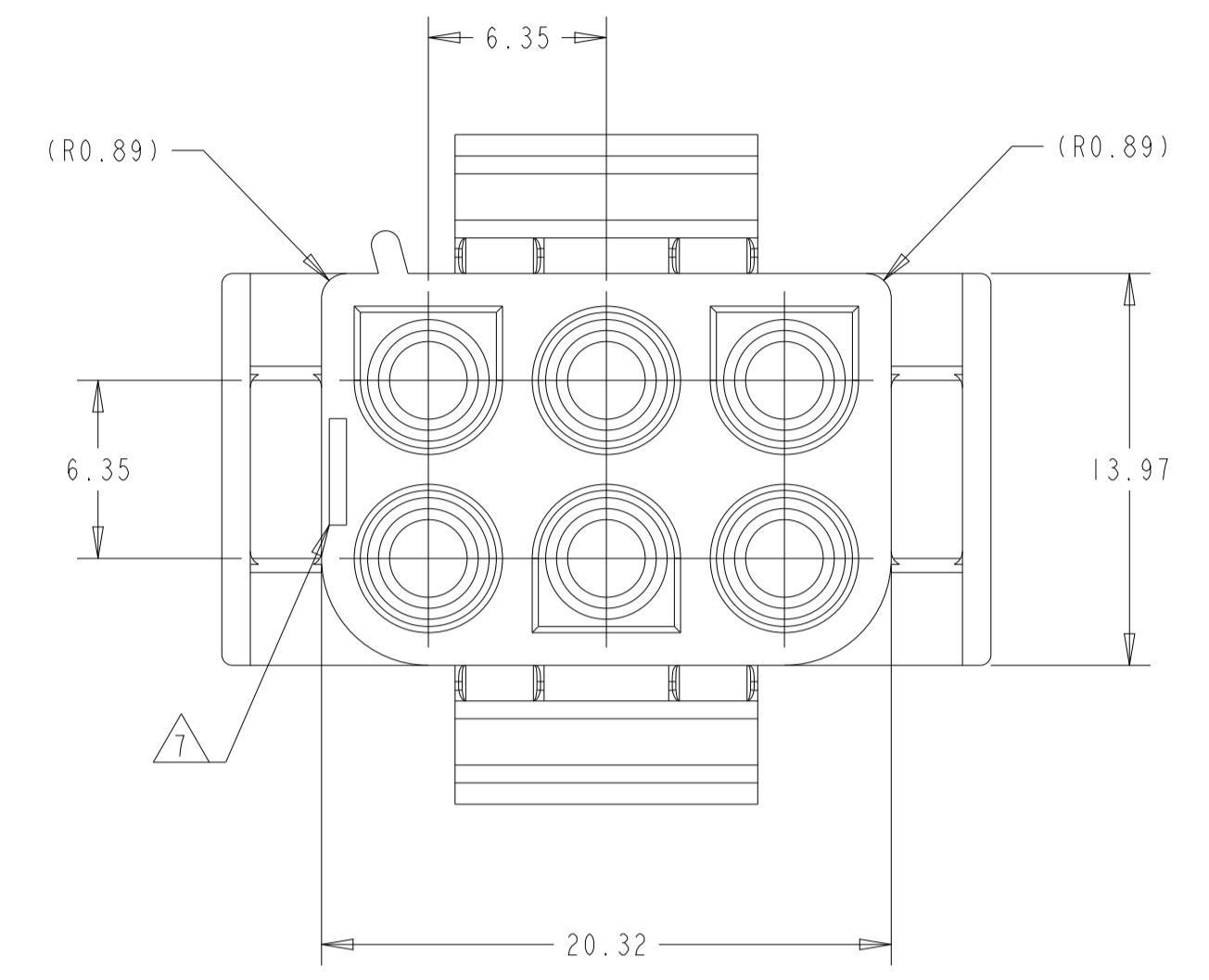
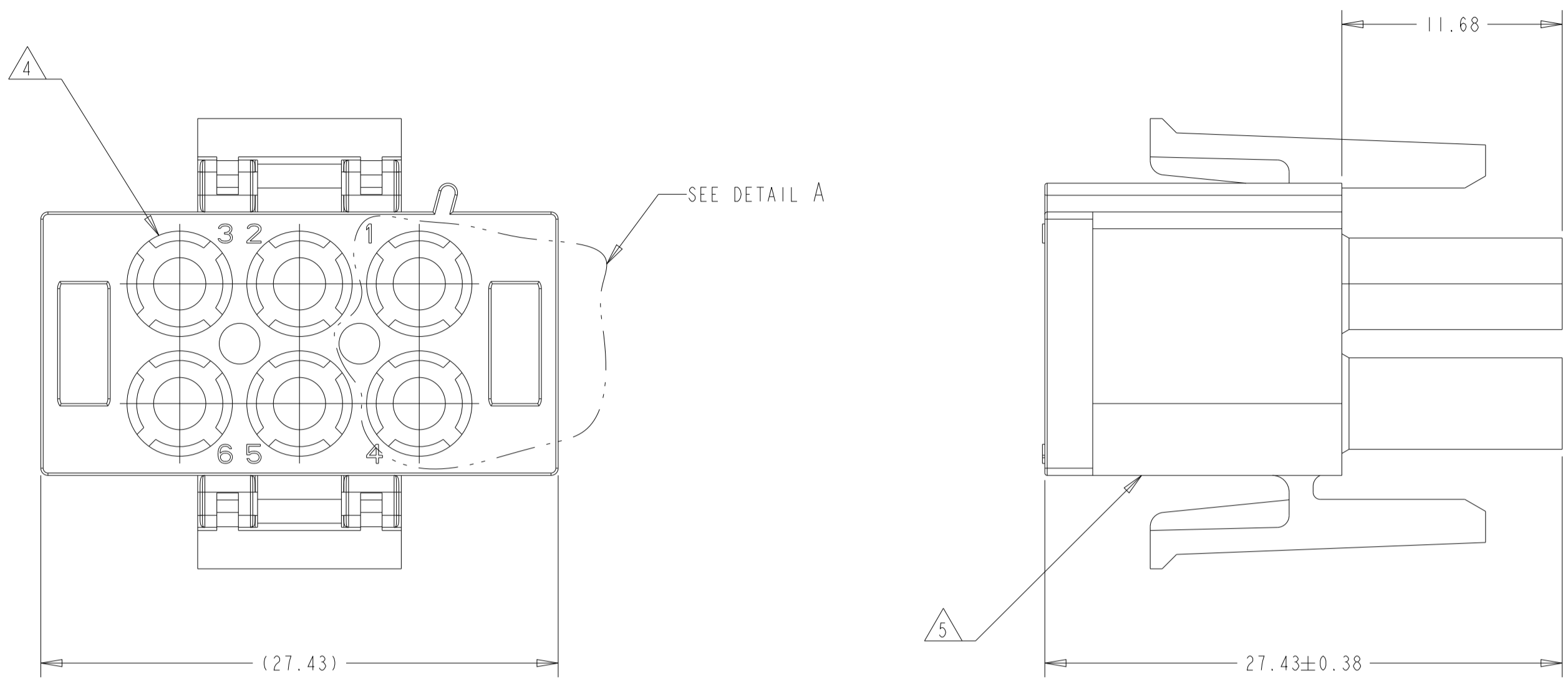
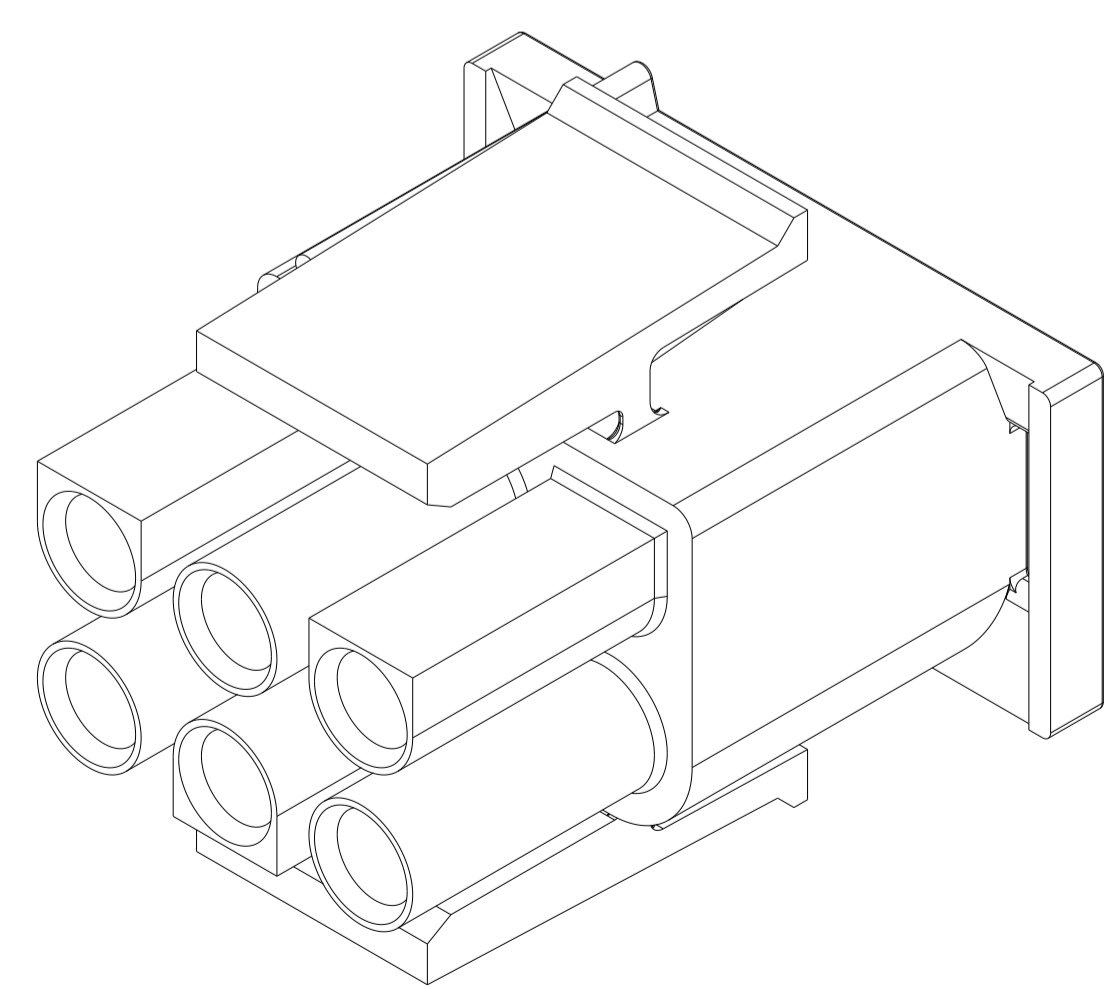


REVISIONS					
P	LTN	DESCRIPTION	DATE	DWN	APVD
AP4		REVISED PER ECR-17-008392	28JUN2017	BW	KR
AR		REVISED PER ECR-24-218682	09SEP2024	AK	BR

- MATES WITH APPROPRIATE UNIVERSAL MATE-N-LOK™ CAP OR HEADER.
- SMALL NICKS ARE PERMITTED ON THE CIRCUIT TOWERS WHICH COULD INCREASE THE INITIAL HOUSING MATING FORCE BY UP TO 4.4 NEWTONS (1.0 LBS). NO INDIVIDUAL NICKED TOWER SHALL INCREASE THIS FORCE BY OVER 2.2 NEWTONS (.5 LBS).
- DIMENSIONS SHOWN REPRESENT PRODUCT IN DRY, AS MOLDED, CONDITION. ADDITIONAL 2% GROWTH DUE TO SUBSEQUENT MOISTURE ABSORPTION MAY OCCUR AND SHOULD BE ACCOUNTED FOR.
- FOUR RIBS EQUALLY SPACED, NO SPECIFIC ORIENTATION. NO RIBS OR SIX RIBS EQUALLY SPACED, NO SPECIFIC ORIENTATION, OPTIONAL.
- UNDERWRITERS RECOGNIZED COMPONENT LOGO AND CSA CERTIFICATION LOGO TO BE LOCATED ONCE EACH ON SIDE OF HOUSING.
- MANUFACTURING LOCATION ID ON SIDE OF HOUSING (OPTIONAL).
- TRADEMARK LOCATION (AMP OR TE CONNECTIVITY).
- OBsolete PARTS: OBSOLETE CIS STREAMLINING PER D.RENAUD/D.SINISI



DETAIL A
SCALE 6:1
OPTIONAL CONSTRUCTION



MM	IN
27.43	1.080
20.32	.800
13.97	.550
11.68	.460
0.38	.015
0.13	.005
MM	IN

CONVERSION TABLE

8	OBsolete	BLACK	1-480704-9
8	OBsolete	GRAY	1-480704-8
8	SUPERSEDED BY 1-480704-0	BLUE	1-480704-6
8	OBsolete	GREEN	1-480704-5
8	OBsolete	YELLOW	1-480704-4
8	OBsolete	ORANGE	1-480704-3
		RED	1-480704-2
		BROWN	1-480704-1
		NATURAL	1-480704-0
		COLOR	PART NUMBER

THIS DRAWING IS A CONTROLLED DOCUMENT.

DIMENSIONS:	TOLERANCES UNLESS OTHERWISE SPECIFIED:	DWN	K. WHITAKER	23MAR2005
mm	0 PLC ±	CHK	S. RIDGILL	23MAR2005
	1 PLC ±	APVD	S. RIDGILL	23MAR2005
	2 PLC ±0.13	NAME	PLUG, 6 CIRCUIT, UNIVERSAL MATE-N-LOK	
	3 PLC ±	PRODUCT SPEC		
	4 PLC ±	APPLICATION SPEC		
	ANGLES ±	SIZE	CAGE CODE	DRAWING NO
	FINISH ±	RESTRICTED TO		
MATERIAL	NYLON, UL 94V-2	WEIGHT		
CUSTOMER DRAWING		SCALE	4:1	SHEET 1 OF 2

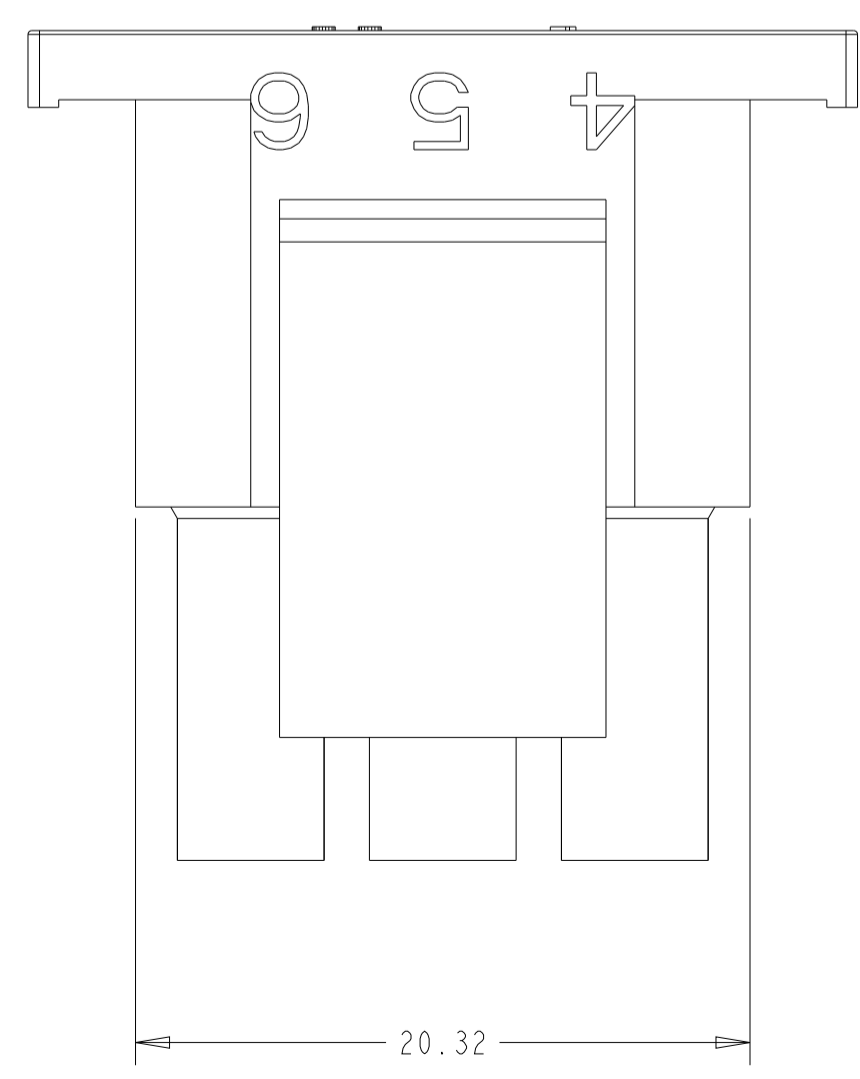
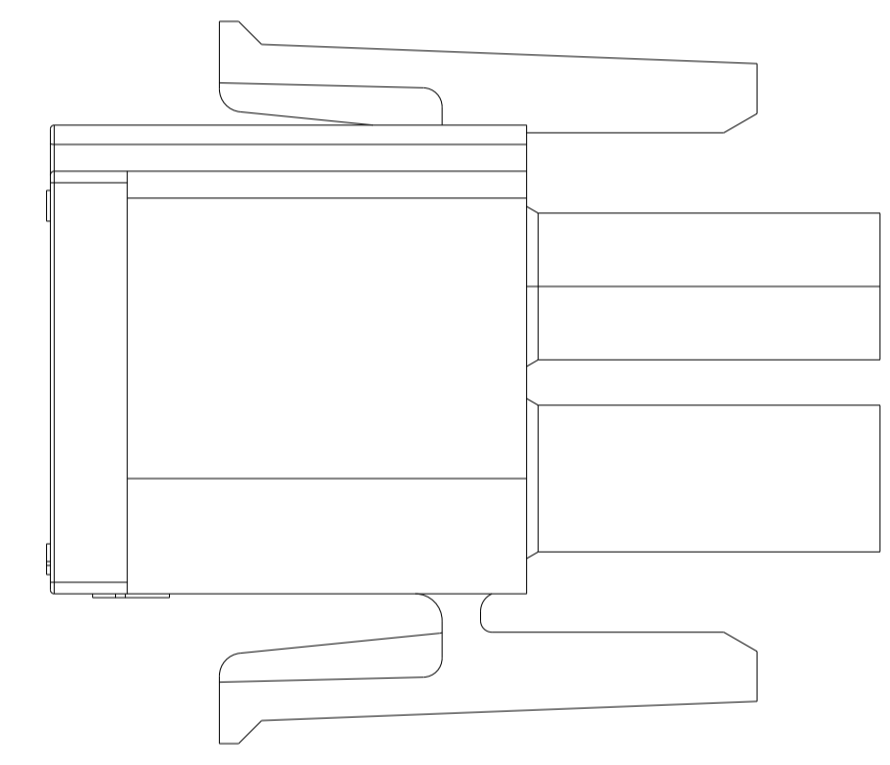
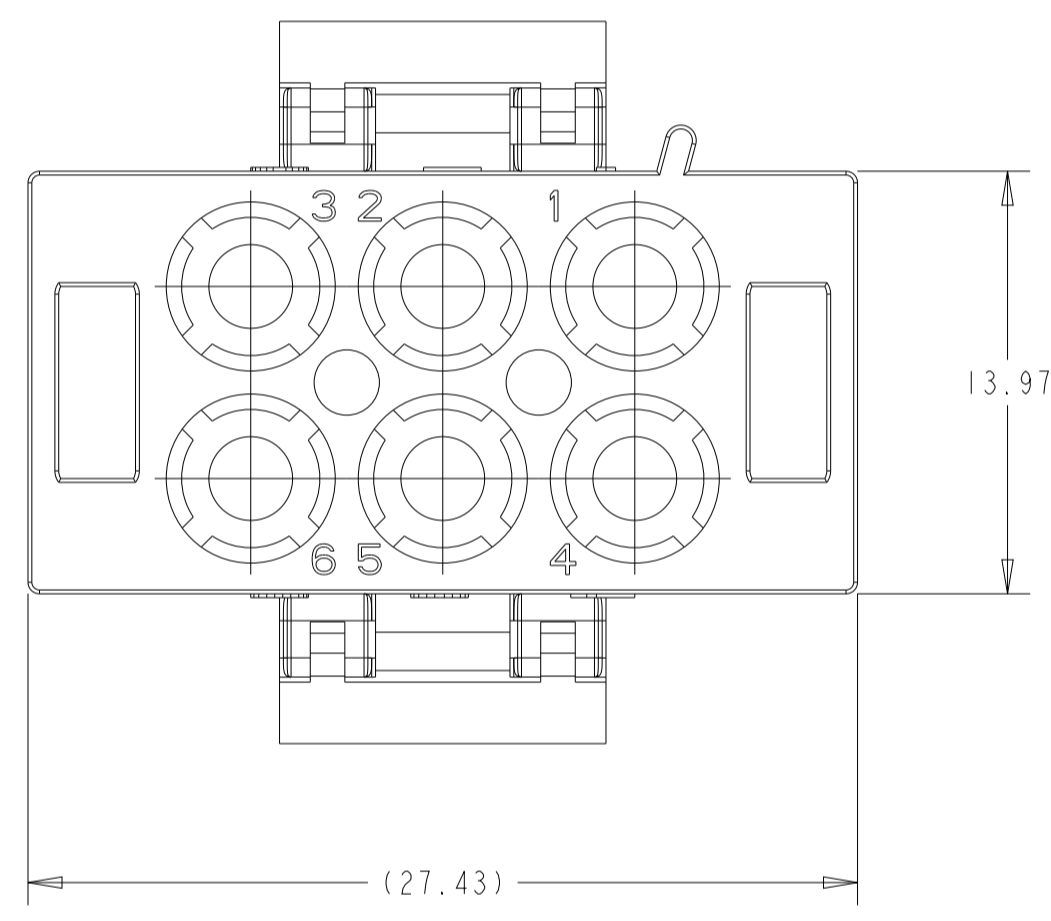
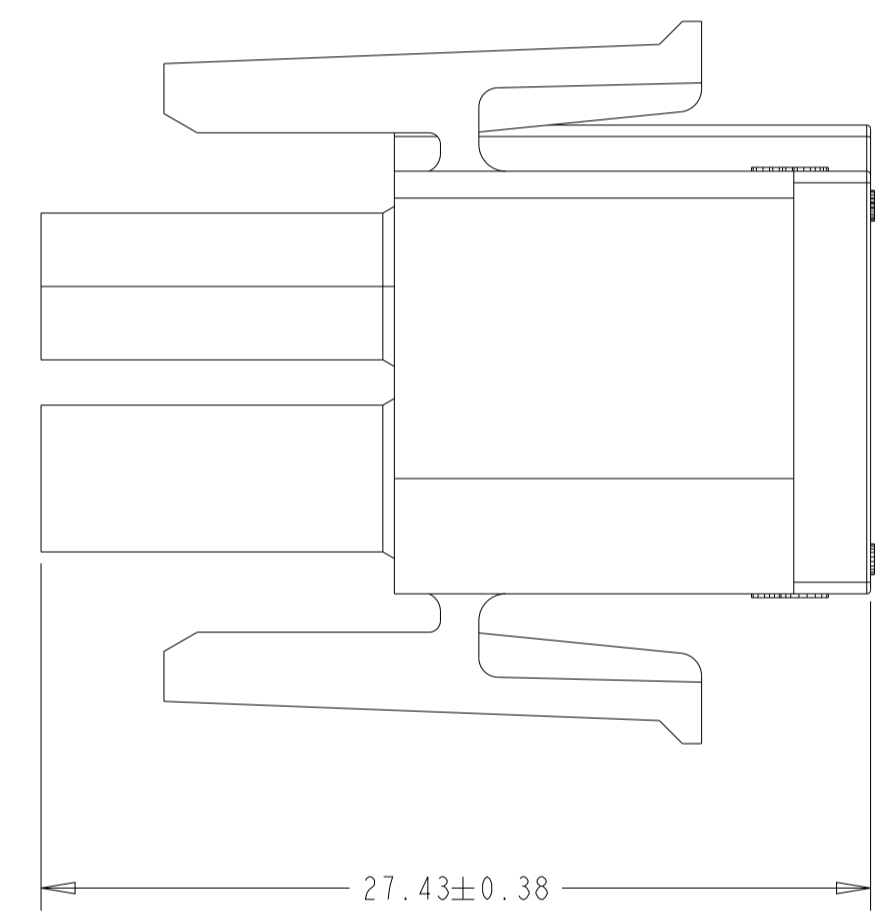
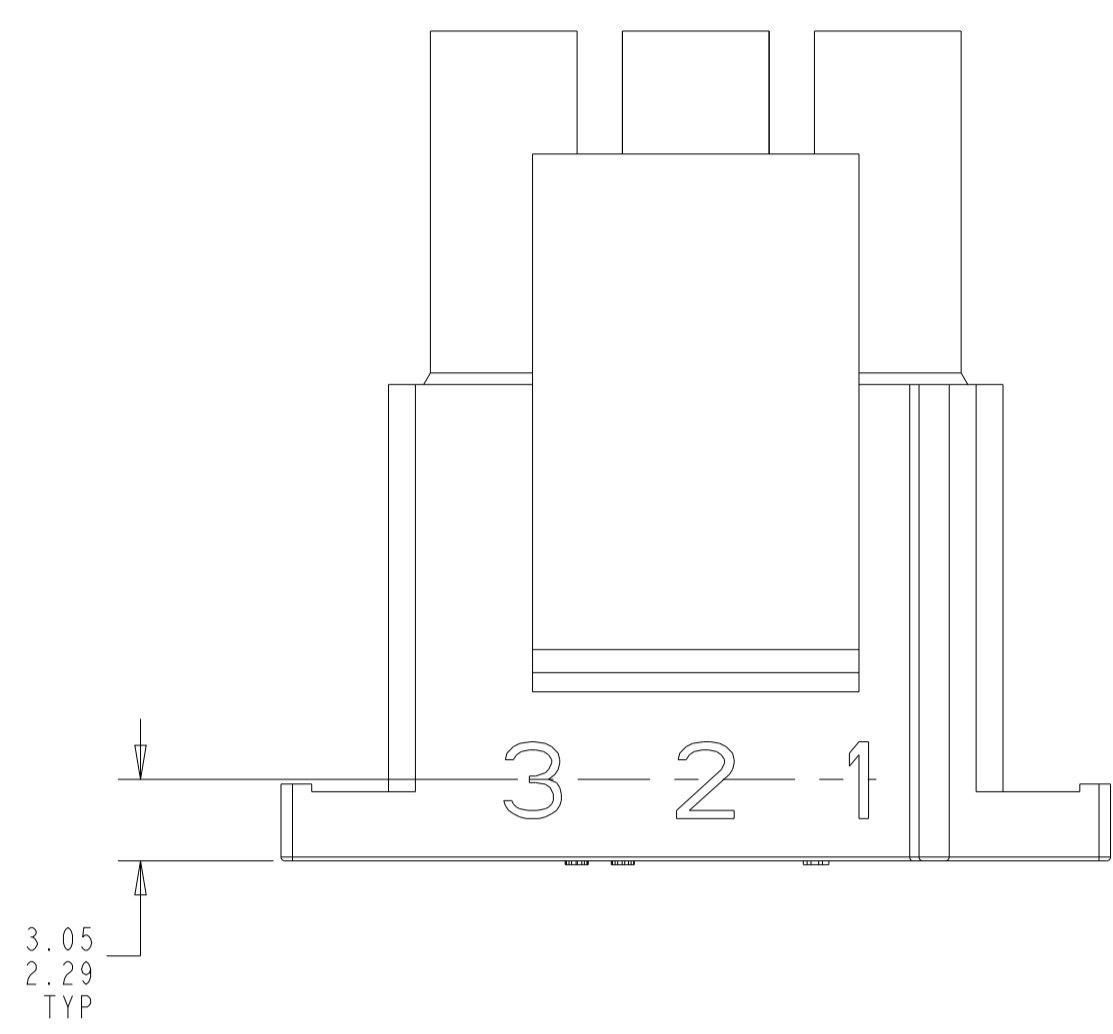
TE Connectivity

00779 ©=480704

REV AR

REVISIONS				
P	LTN	DESCRIPTION	DATE	APVD
-		SEE SHEET 1	-	-

1. STAMP NUMBERS 3.18 HIGH AT WIRE END OF HOUSING (12 POINT DAVID TYPE).
2. CHARACTERS TO BE POSITIONED ON HOUSING TO BE READ FROM WIRE END ONLY.
3. VIOLET, BLACK, BROWN, AND BLUE COLORED BLOCKS TO BE STAMPED WITH WHITE CHARACTERS. ALL OTHER COLORED BLOCKS TO BE STAMPED WITH BLACK CHARACTERS.



MM	IN	MM	IN
3.05	.120	27.43	1.080
2.29	.090	20.32	.800
0.38	.015	13.97	.550
0.13	.005	3.18	.125

CONVERSION TABLE

NATURAL	2-480704-0
COLOR	PART NUMBER

THIS DRAWING IS A CONTROLLED DOCUMENT.

DWN: K. WHITAKER 23MAR2005		NAME: PLUG, 6 CIRCUIT, UNIVERSAL MATE-N-LOK PRODUCT SPEC: - APPLICATION SPEC: -
CHK: S. RIDGILL 23MAR2005		
APVD: S. RIDGILL 23MAR2005	SIZE: A	RESTRICTED TO: -
MATERIAL: NYLON, UL 94V-2	WEIGHT: -	CAGE CODE: 00779
TOLERANCES UNLESS OTHERWISE SPECIFIED:	FINISH: -	DRAWING NO: 480704
0 PLC ±	ANGLES: ±0°30'	CUSTOMER DRAWING
1 PLC ±		SCALE: 4:1
2 PLC ±0.13		SHEET: 2 OF 2
3 PLC ±		REV: AR
4 PLC ±		