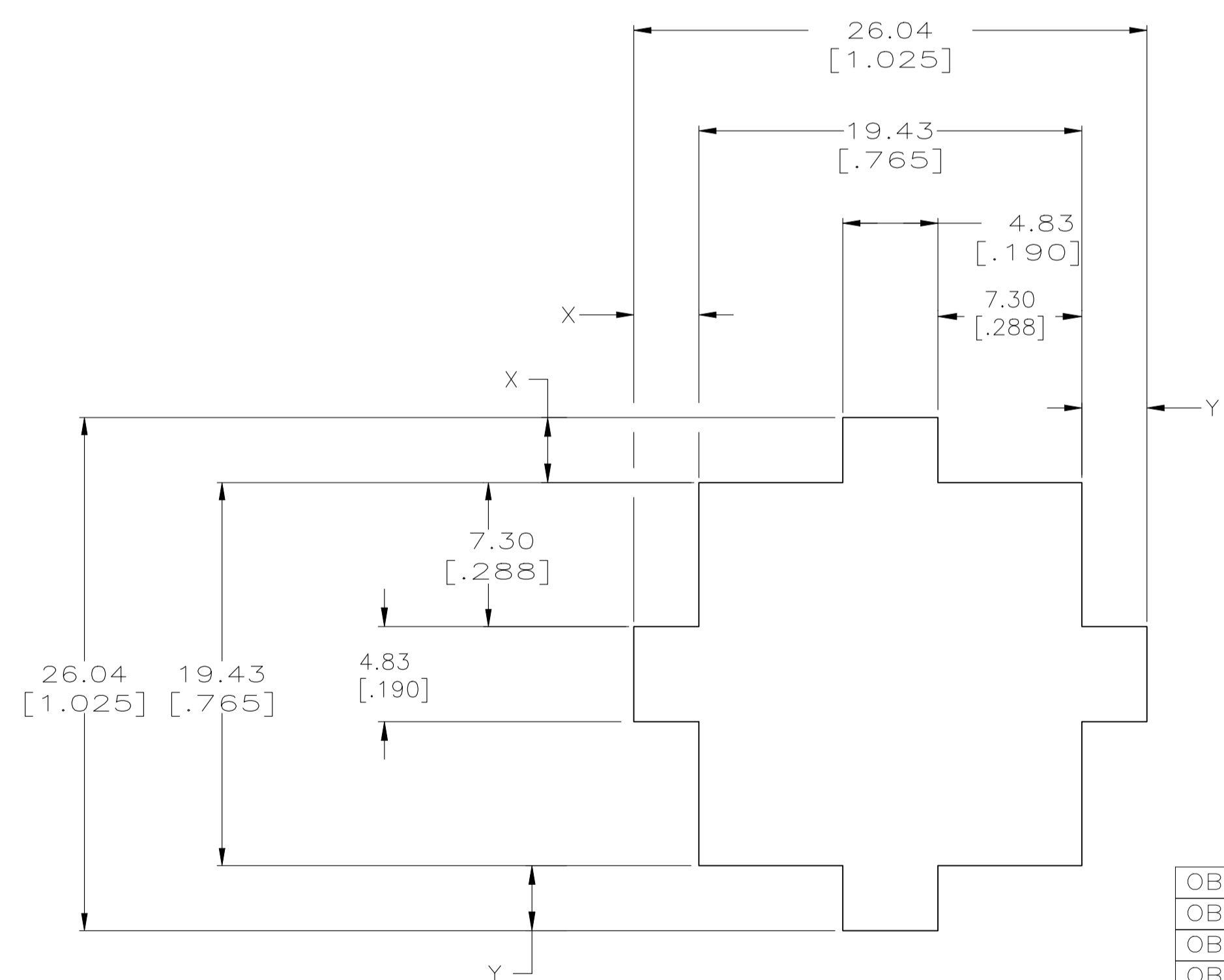
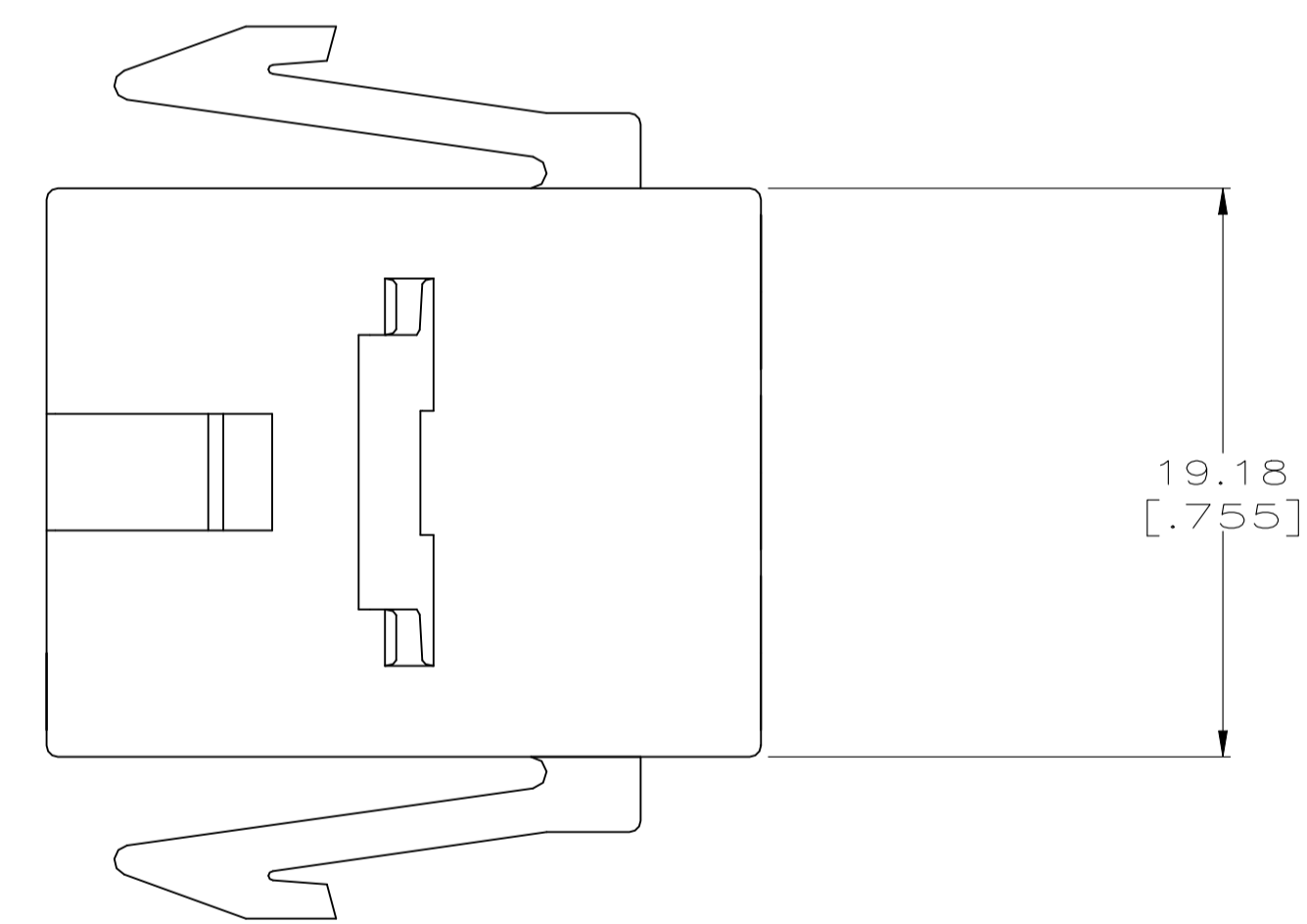
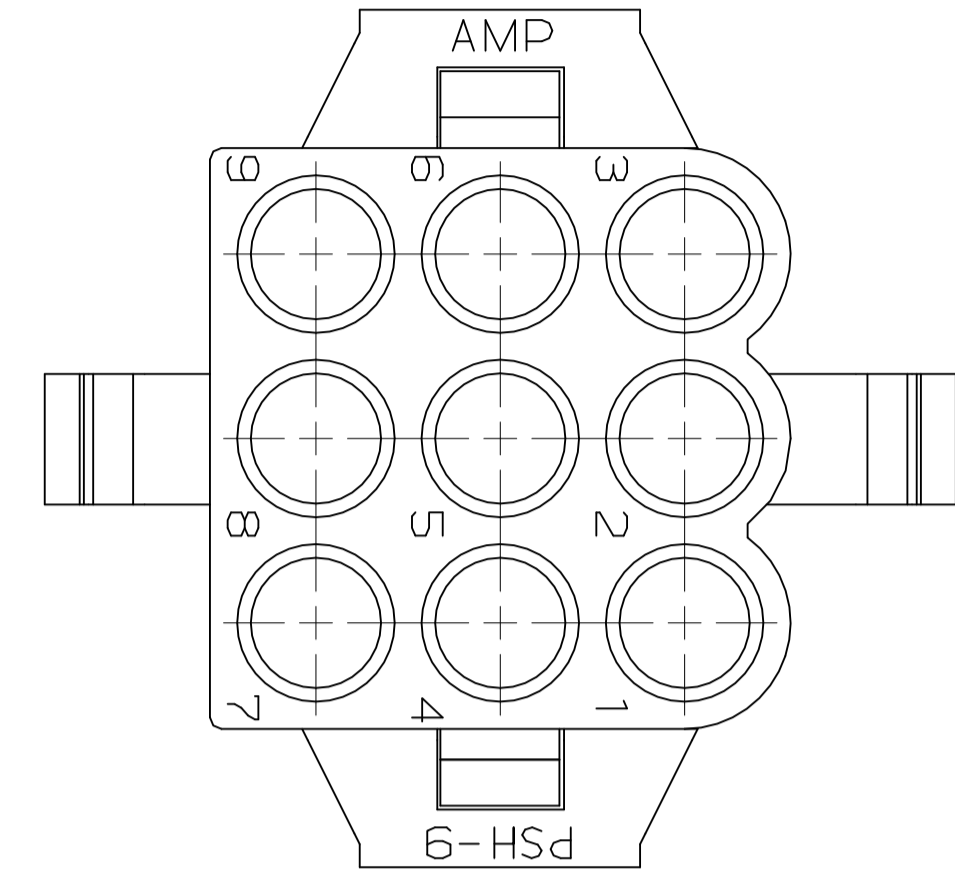
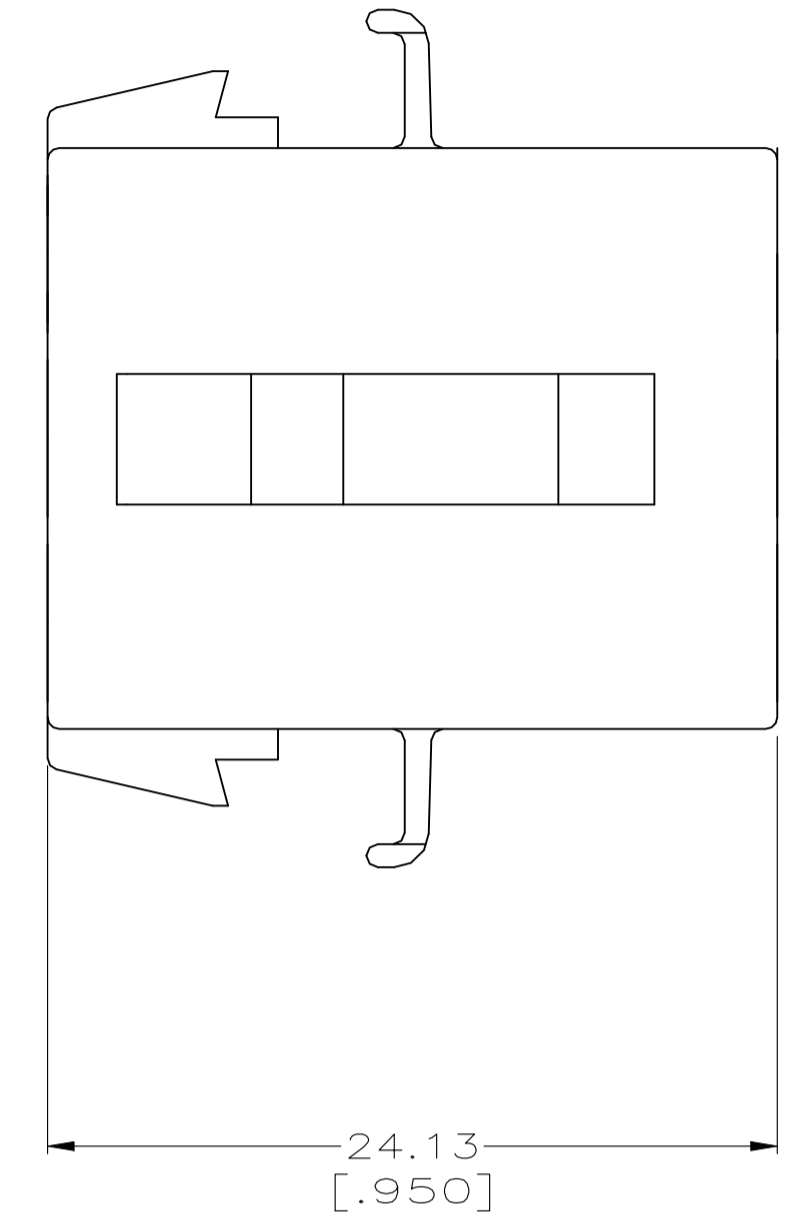
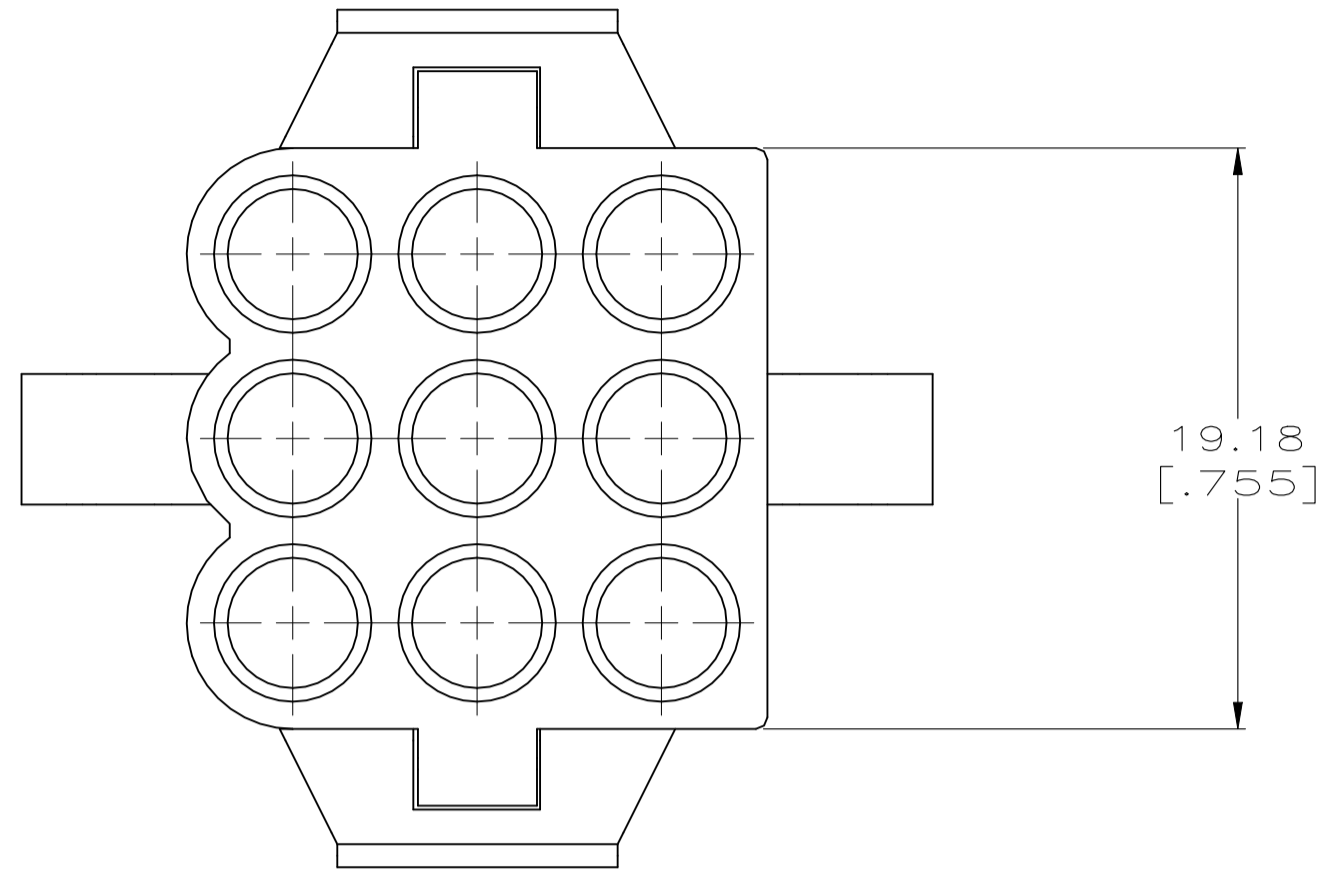


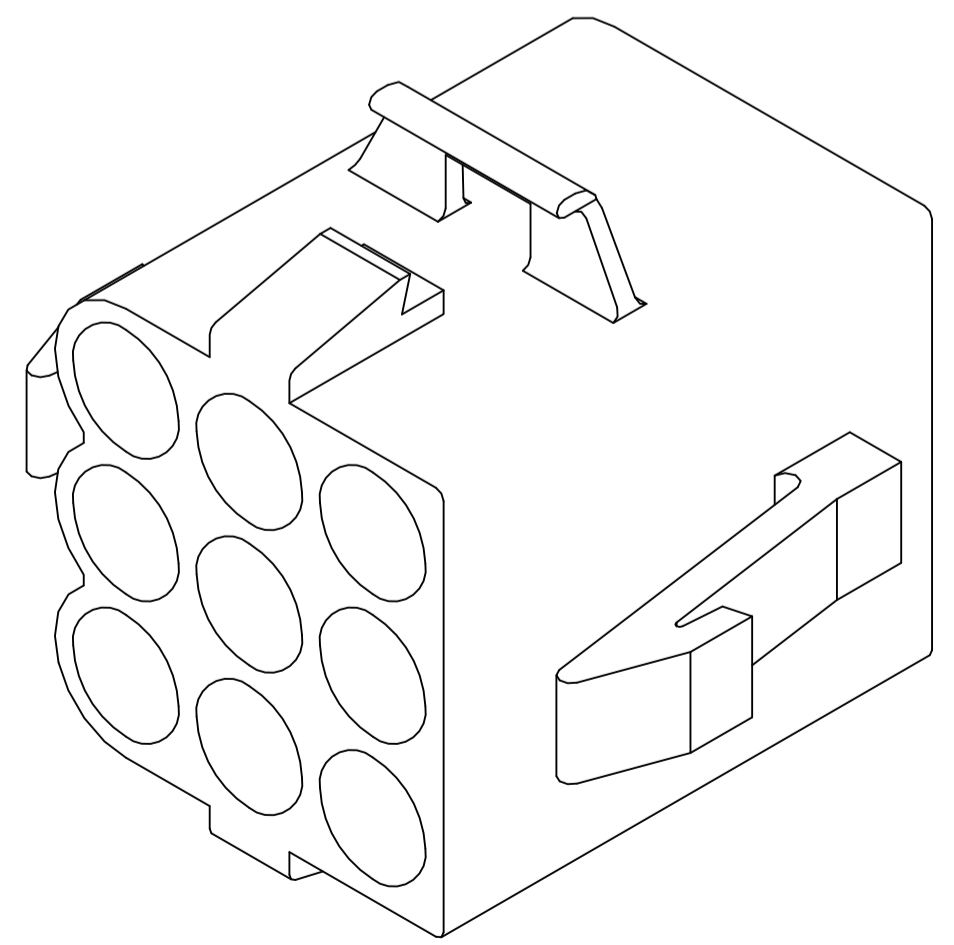
LOC	DIST	REVISIONS				
CM	0	REV	DESCRIPTION	DATE	BY	APP'D
		H2	REVISED PER ECR-21-101087	29APR2021	PJ	VS
		H3	REVISED PER ECR-24-251108	06FEB2024	WLS	VS

- PANEL THICKNESS - 1.02[.040] - 1.78[.070].
- X & Y TO BE EQUAL WITHIN 0.13[.005].
- PANEL MUST BE PUNCHED SO THAT THE HOUSING AND THE PUNCH ENTER THE PANEL IN THE SAME DIRECTION.

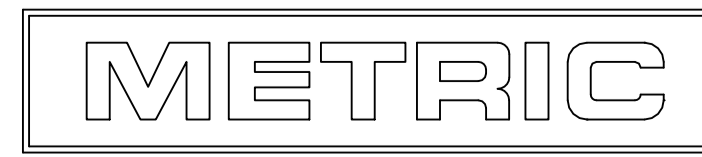


RECOMMENDED PANEL CUT OUT FOR PLUG

COLOR	PART NUMBER
BLACK	1-480672-9
OBSELETE BLUE	1-480672-6
OBSELETE GREEN	1-480672-5
OBSELETE YELLOW	1-480672-4
OBSELETE ORANGE	1-480672-3
OBSELETE RED	1-480672-2
OBSELETE BROWN	1-480672-1
NATURAL	1-480672-0



3-DIMENSIONAL MODEL NTS



THIS DRAWING IS A CONTROLLED DOCUMENT.

DIMENSIONS: mm [NCHES]	TOLERANCES UNLESS OTHERWISE SPECIFIED:	DIN K. WHITAKER 06-JAN-2000	TE Connectivity
0. PLC ± -	1. PLC ± -	CHK S. RIDGILL 06-JAN-2000	PLUG, 9 CIRCUIT, .140 MATE-N-LOK(TM)
2. PLC ± ± 0.13[.005]	3. PLC ± -	APP'D S. RIDGILL 06-JAN-2000	SIZE CAGE CODE DRAWING NO. RESTRICTED TO
4. PLC ± -	ANGLES ± ± 0.30°	PRODUCT SPEC	A1 00779 480672
MATERIAL NYLON, UL94-V2	FINISH -	APPLICATION SPEC	WEIGHT -
CUSTOMER DRAWING		SCALE 4:1	SHEET 1 of 1 REV H3