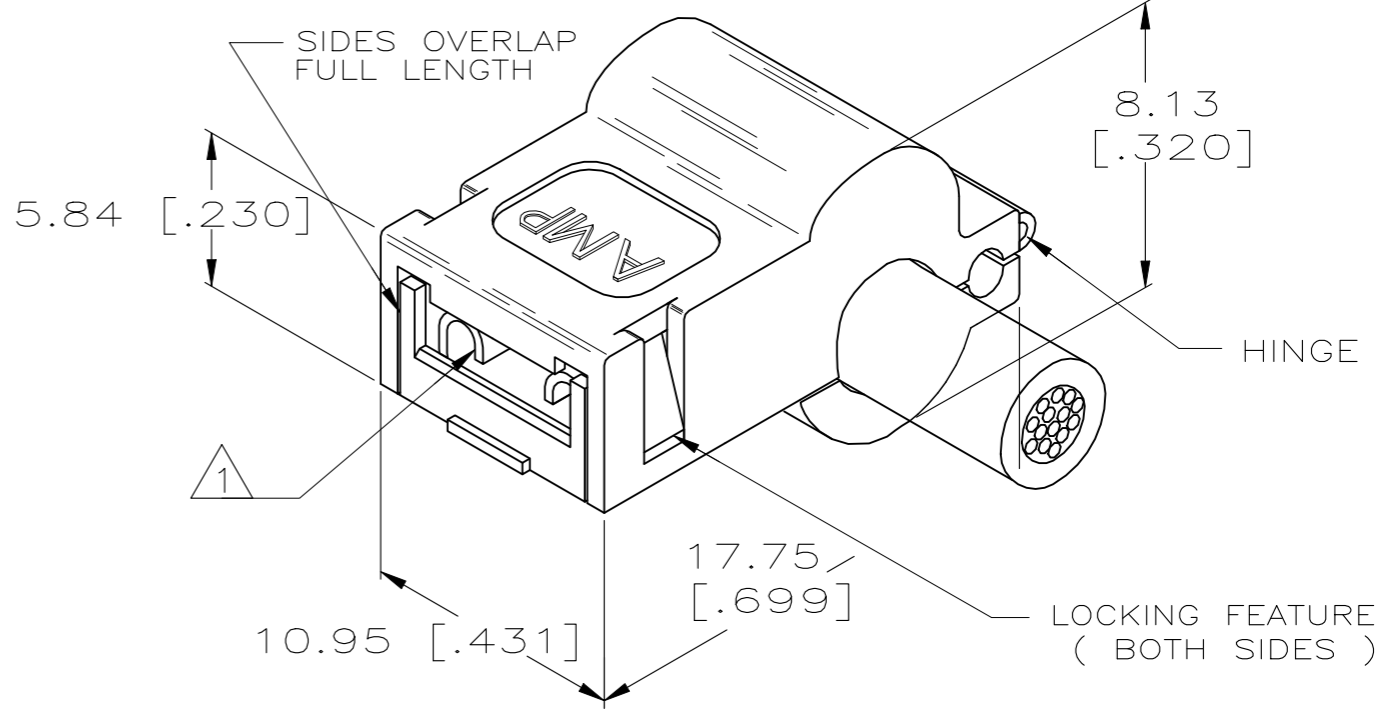
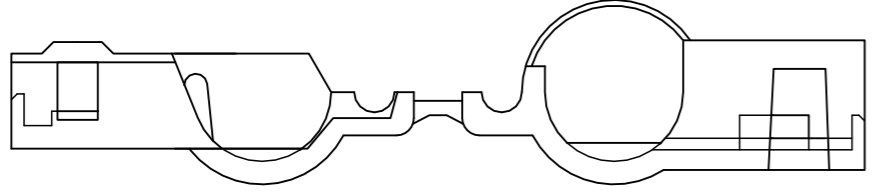
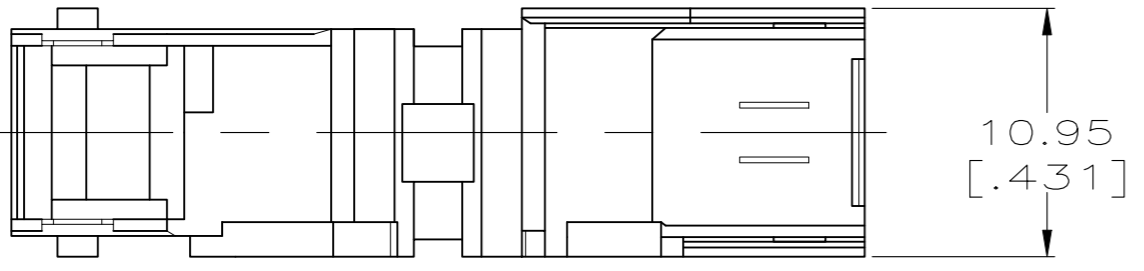
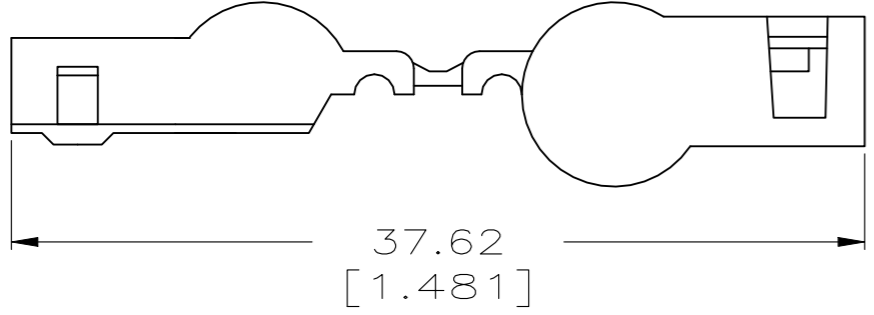


THIS DRAWING IS UNPUBLISHED. RELEASED FOR PUBLICATION
 © COPYRIGHT - TE Connectivity Ltd. ALL RIGHTS RESERVED.

REVISIONS					
P	LTR	DESCRIPTION	DATE	DWN	APVD
	J	REVISED PER ECR-24-204274	29APR2024	DK	RE



NOTES:

- 1 4.75 [.187] SERIES TAB-LOK FLAG FASTON RECEPTACLE. TERMINAL NUMBERS 42486, 42618, 42800, AND 60820.
- 2 SEE CP-29349 FOR RECOMMENDED TAB DETAILS.
- 3 CONTINUOUS STRIP ON REELS.
- 4 LOOSE PIECE (ONE POD).
- 5 GLOW WIRE APPROVED, CONTACT TYCO ELECTRONICS FOR ENGN SPECIFICATIONS, ALL WALL THICKNESSES ARE BETWEEN 0.4mm AND 3.0mm.
- 6 SUPERSEDED BY 480487-4
- 7 REFER TO SPECIFICATION 408-143119 FOR GUIDANCE ON RE-MOISTURIZATION AND PART STORAGE

	TYPE	MATERIAL	PART NO.
4	LOOSE PIECE	66 NYLON VOGWT 130C	480487-4
5			
4	LOOSE PIECE		1-480487-4
4	LOOSE PIECE	6/6 NYLON, VO	1-480487-3
4	LOOSE PIECE	6/6 NYLON	1-480487-2
3	STRIP	6/6 NYLON	1-480487-0

THIS DRAWING IS A CONTROLLED DOCUMENT.		DWN JR RUTH 6/27/97	STE TE Connectivity		
DIMENSIONS: mm [INCHES]		CHK MS FEHER 6/27/97			
TOLERANCES UNLESS OTHERWISE SPECIFIED:		APVD R BEAVER 6/27/97	NAME		
0 PLC ± -		PRODUCT SPEC		HOUSING, AMPIP, FASTON, TAB-LOK, 4.75 [.187] SERIES	
1 PLC ± -		APPLICATION SPEC		-	
2 PLC ± 0.38 [.015]		WEIGHT -		SIZE A3	CAGE CODE 00779
3 PLC ± -		CUSTOMER DRAWING		DRAWING NO C-480487	RESTRICTED TO -
4 PLC ± -		SCALE 3:1		SHEET 1 OF 1	REV J
4 PLC ANGLES ± -					
FINISH NATURAL					
MATERIAL SEE TABLE					