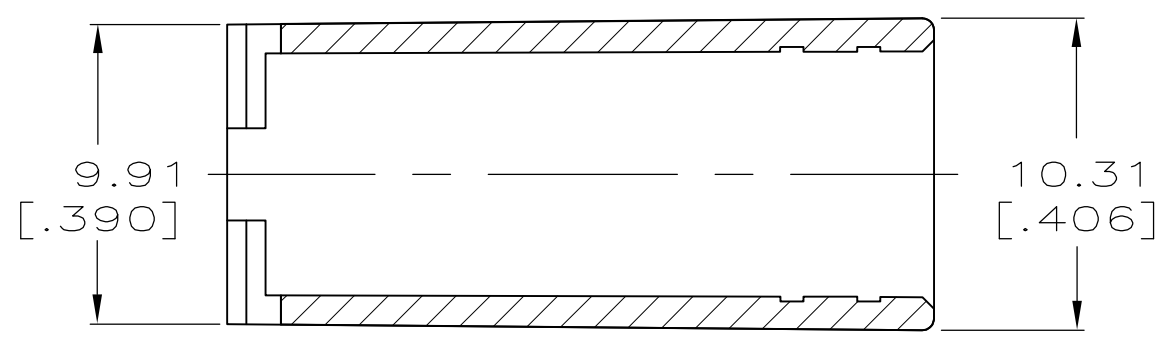


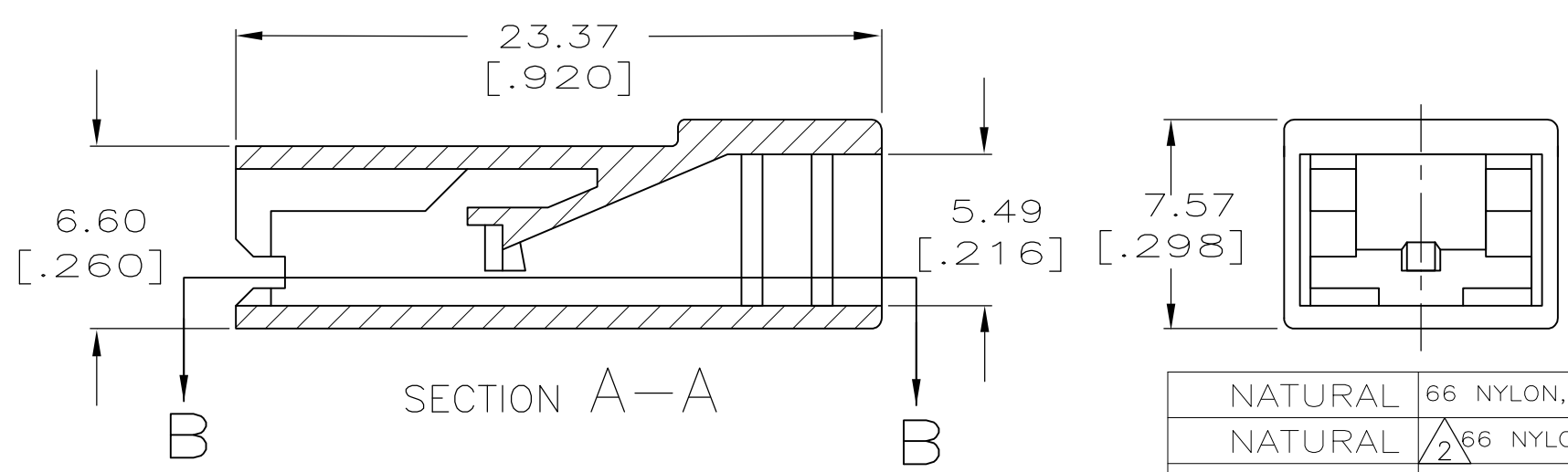
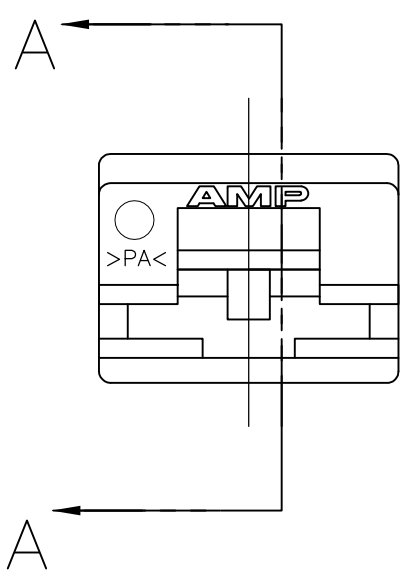
THIS DRAWING IS UNPUBLISHED. RELEASED FOR PUBLICATION  
 © COPYRIGHT - By - ALL RIGHTS RESERVED.

REVISIONS				
P	LTR	DESCRIPTION	DATE	APVD
	AC7	REVISED PER ECO-17-007248	22MAY2017	NK DH



SECTION B-B

- 1 SPECIAL PACKAGING QUANTITIES.
- 2 POLYAMIDE ACCORDING TO IEC 60335-1, GLOW WIRE.
- 3 PRELIMINARY - NOT FOR PRODUCTION



SECTION A-A

5 CONTACT PRODUCT ENGINEERING FOR TERMINAL RECOMMENDATIONS WHEN USING THIS INSULATOR WITH 10 AWG WIRE

NATURAL	66 NYLON, UL94 V0 150C	3	2-480416-4
NATURAL	66 NYLON, UL94 V0	3	2-480416-3
NATURAL	UL94 V2	2	2-480416-2
NATURAL	6/6 NYLON	3 1	2-480416-1
NATURAL	UL94 5VA RATED	3	2-480416-0
NATURAL	4/6 NYLON UL 150		1-480416-8
NATURAL	66 NYLON, V0		1-480416-7
NATURAL	POLYESTER		1-480416-6
RED	6/6 NYLON		1-480416-4
BLUE			1-480416-3
BLACK			1-480416-1
NATURAL			1-480416-0
FINISH	MATERIAL		PART NO

SUPERCEDED BY 1-480416-0  
 OBSOLETE  
 SUPERCEDED BY 1-480416-0

THIS DRAWING IS A CONTROLLED DOCUMENT.		DWN JR RUTH 2/4/91	TE Connectivity	
DIMENSIONS: mm [INCHES]		CHK P FORTNEY 2/4/91		
TOLERANCES UNLESS OTHERWISE SPECIFIED:		APVD C MEYERS 2/4/91	NAME HOUSING, RECEPTACLE, FASTON, 6.35 [.250] SERIES	
0 PLC ± - 1 PLC ± - 2 PLC ± 0.38 [.015] 3 PLC ± - 4 PLC ± - ANGLES ± -		PRODUCT SPEC -	SIZE A3	
MATERIAL SEE TABLE		APPLICATION SPEC -	CAGE CODE 00779	DRAWING NO C-480416
FINISH SEE TABLE		WEIGHT 0.000000	RESTRICTED TO -	SCALE 4:1
CUSTOMER DRAWING			SHEET 1 OF 1	REV AC7