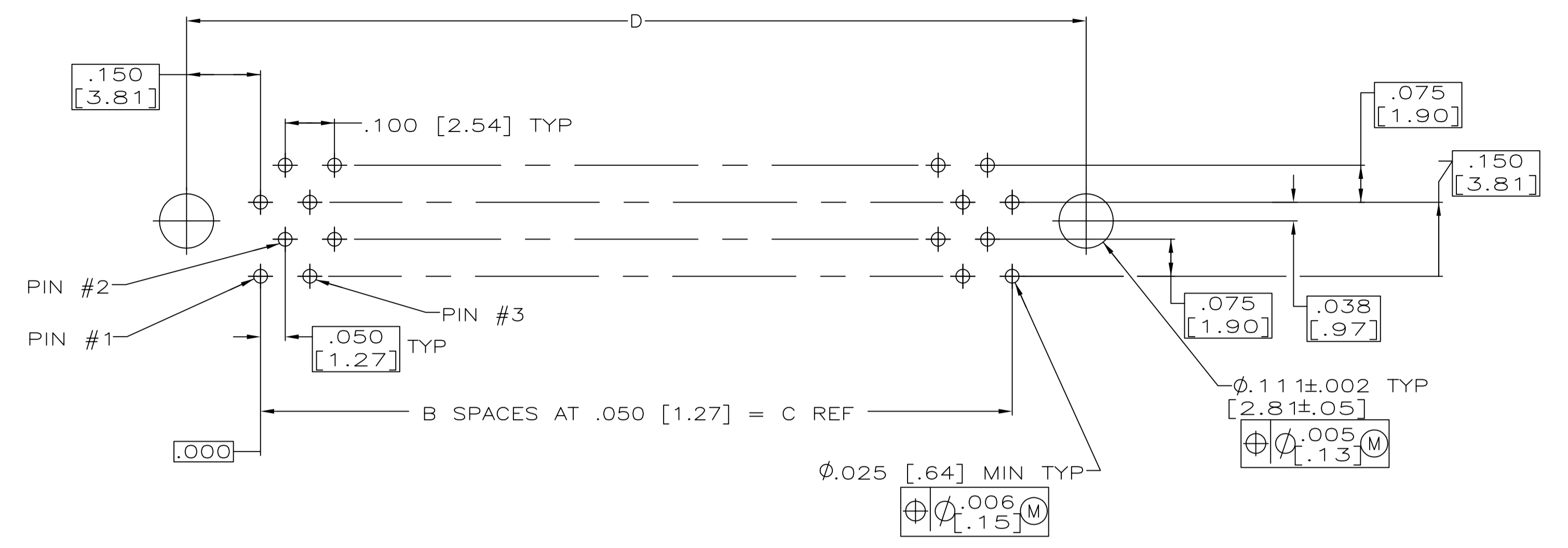
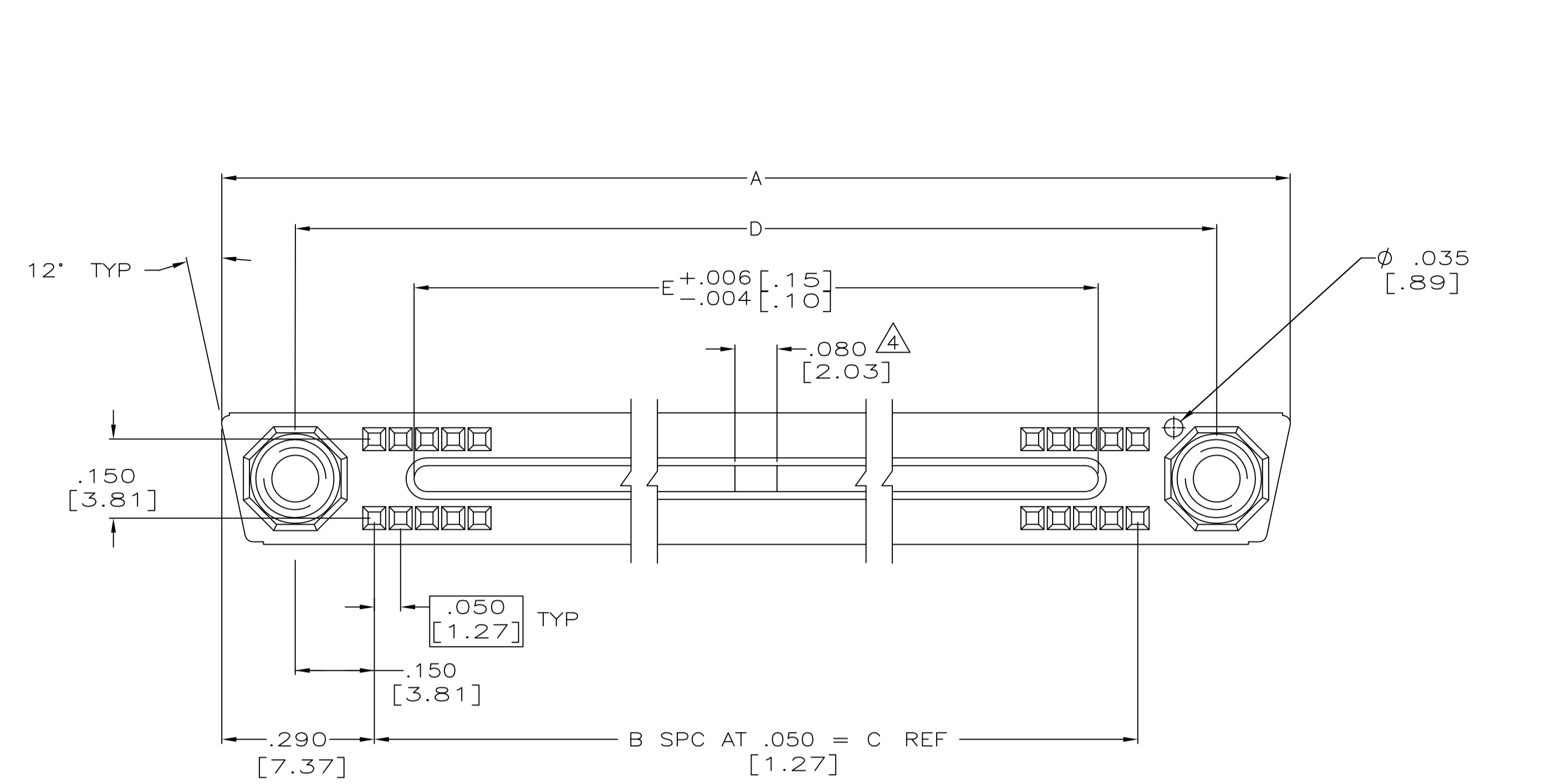
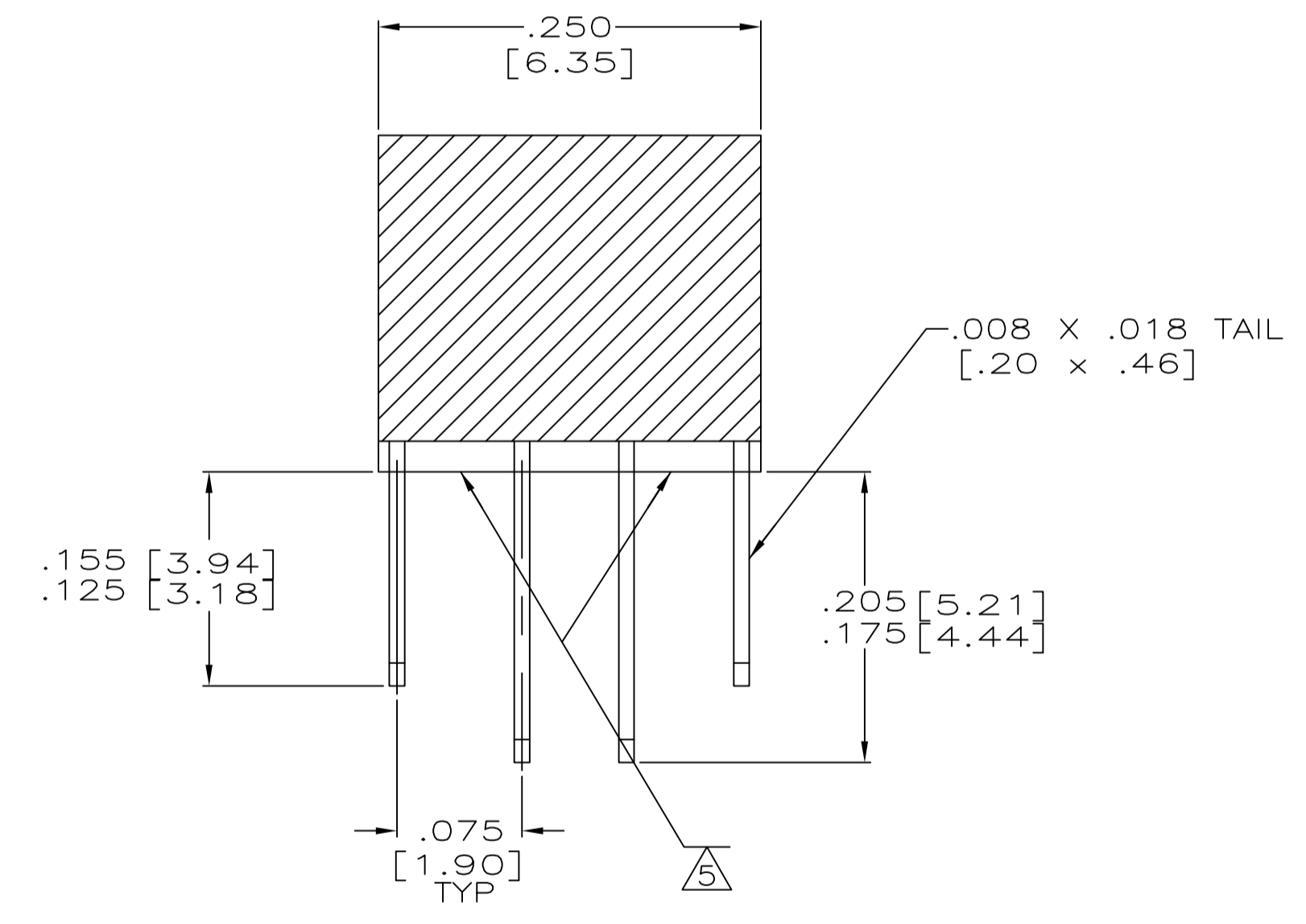
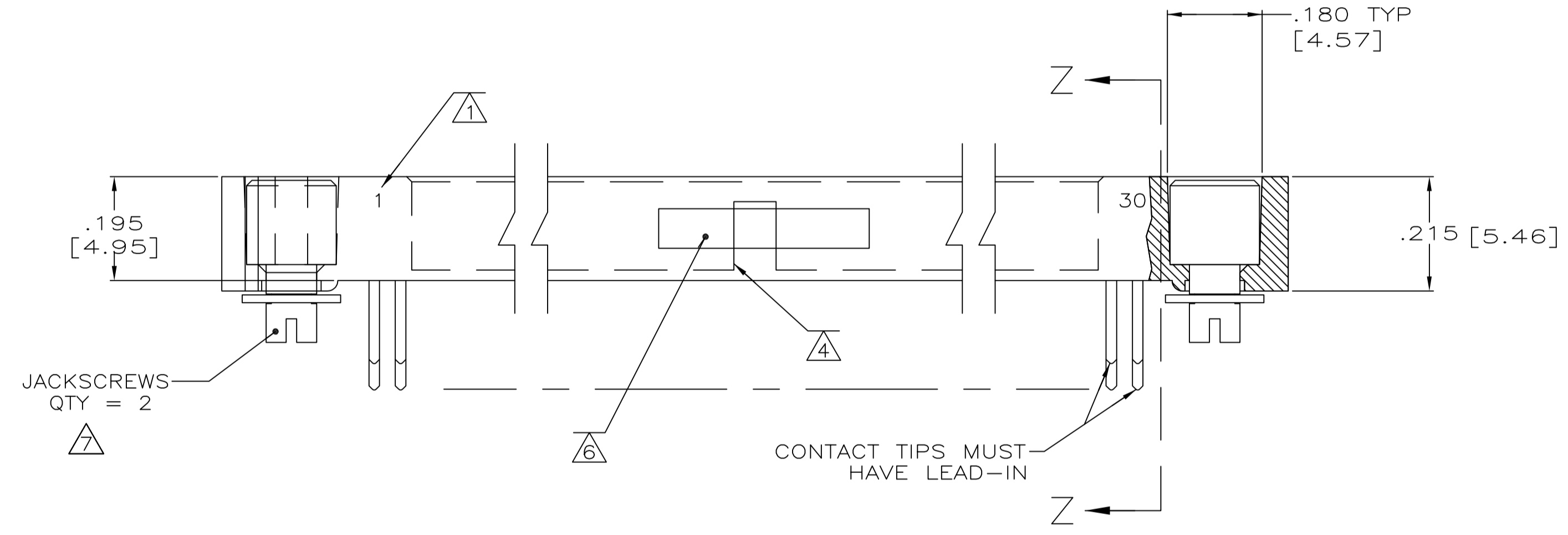


REVISIONS				
P	LTR	DESCRIPTION	DATE	OWN
B		REVISED PER ECO-16-017894	17APR2017	PHM CT



RECOMMENDED P.C. BOARD HOLE PATTERN
(CONNECTOR SIDE)



SECTION Z-Z
SCALE 10:1

- 1. NUMBERS INDICATING END POSITIONS MARKED THIS SIDE ONLY.
- 2. MEETS ALL APPLICABLE REQUIREMENTS OF MIL-C-55302.
- 3. HOUSING MATERIAL: LIQUID CRYSTAL POLYMER PER MIL-M-24519, GLCP-30F; COLOR: GRAY.
- 4. EPOXY IS ADDED TO BOTTOM OF HOUSING FOR INCREASED CONTACT RETENTION.
- 5. AMP, PART NUMBER AND DATE CODE MARKED IN THIS APPROXIMATE AREA.
- 6. FINISH: .000050 GOLD IN CONTACT AREA, TIN-LEAD ON TAILS.
- 7. JACKSCREW MATERIAL: STAINLESS STEEL PER ASTM-A-582.

1 - 30	1.300 [33.02]	1.750 [44.45]	1.450 [36.83]	29	2.040 [51.82]	60	449900-1
CAVITY ID	E	D	C	B	A	POSN.	PART NUMBER
THIS DRAWING IS A CONTROLLED DOCUMENT.				DWN T. ALEXANDER 9-28-94		STE TE Connectivity	
DIMENSIONS: mm				D. GUTTER 9-30-94		MINI-BOX RECEPTACLE WITH HARDWARE	
TOLERANCES UNLESS OTHERWISE SPECIFIED:				APVD D. GUTTER 9-30-94		PRODUCT SPEC	
0 PLC ± -				APPLICATION SPEC		SIZE CAGE CODE DRAWING NO	
1 PLC ± -				WEIGHT		RESTRICTED TO	
2 PLC ± -				CUSTOMER DRAWING		SCALE 5:1 SHEET 1 OF 1 REV B	
3 PLC ± .005 [13]							
4 PLC ± -							
ANGLES ± -							
FINISH							
3 - 7							
6 - 7							