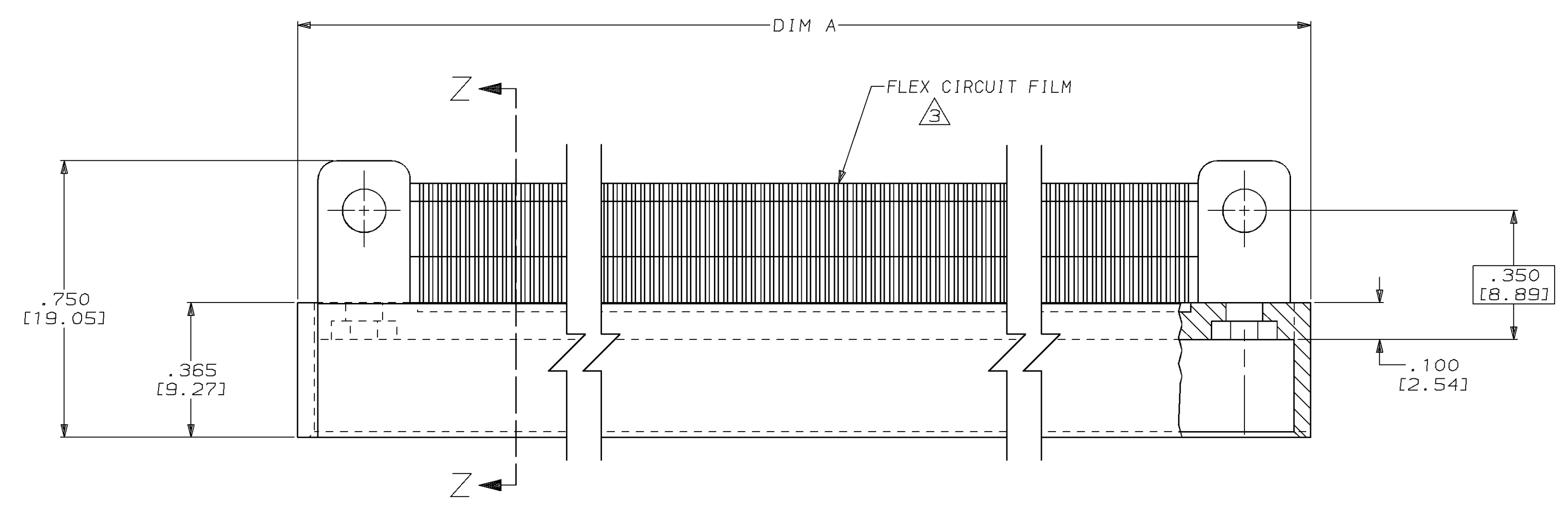
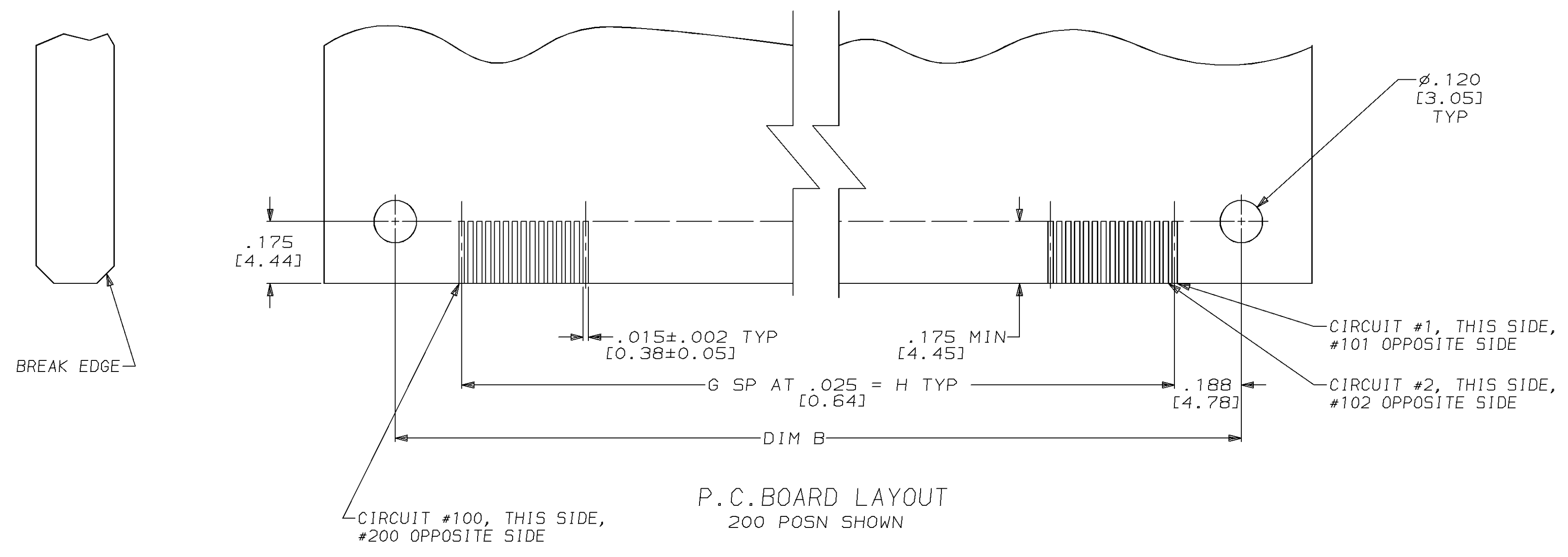
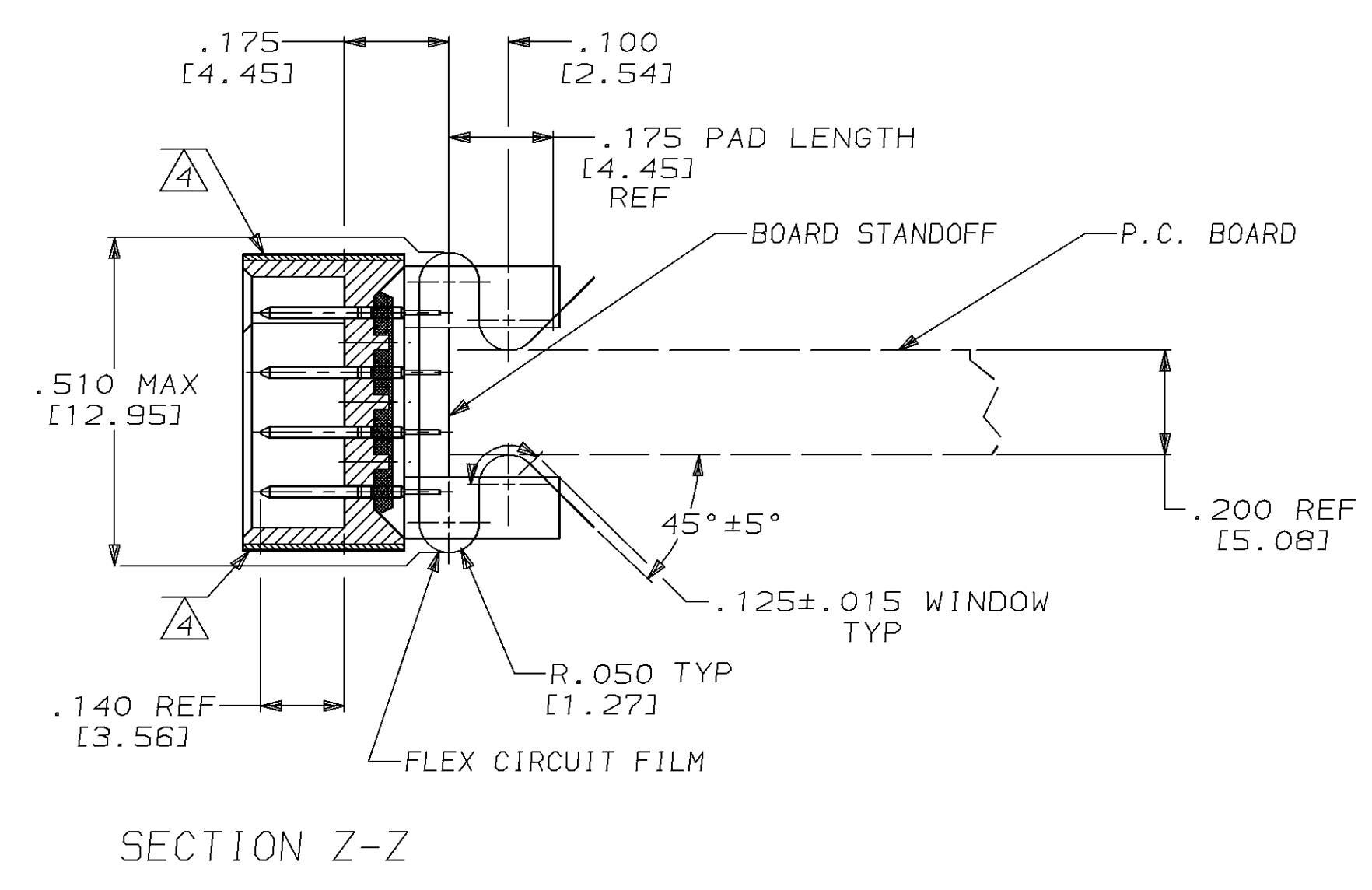
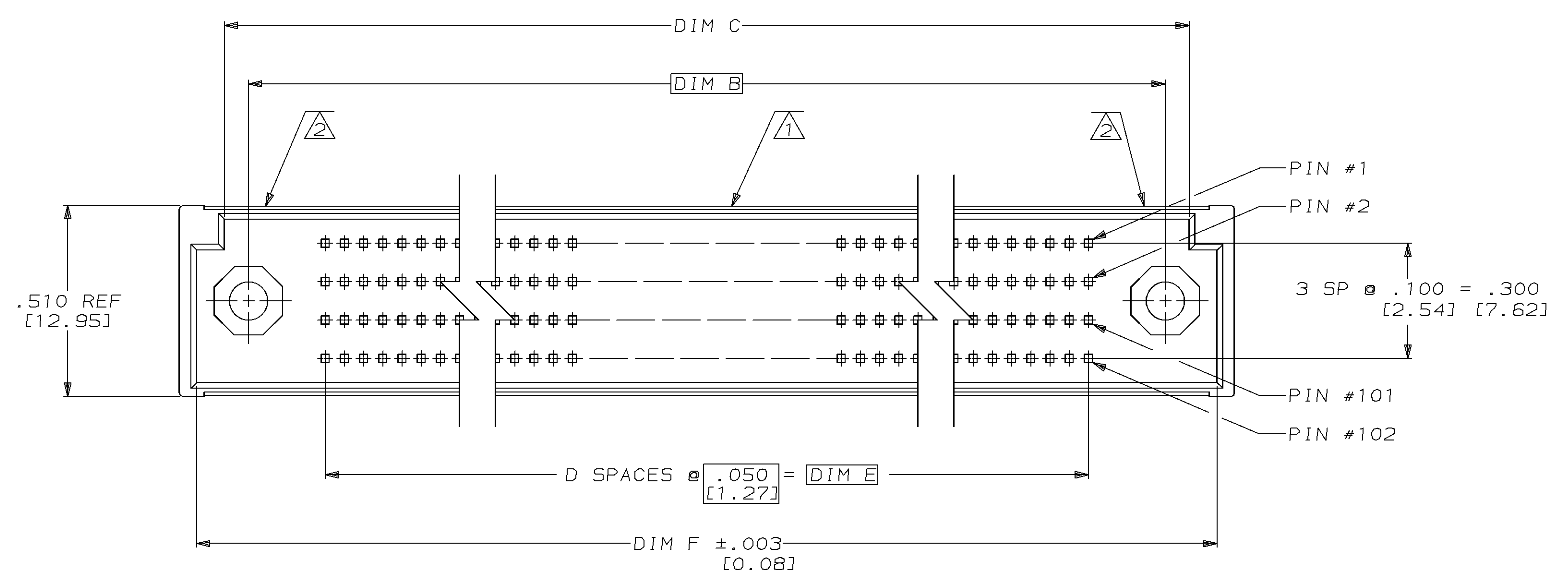


PROD CODE	LOC	DIST	P	F	ZONE	LTR	REVISIONS			
							DESCRIPTION	DATE	APPD	
7740	DF	FO					O	RELEASED PER NPR 93-0381 TA	9-9-93	DG
							A	REV PER 0600-1453-93 TA	5-28-94	DG
							B	REV PER 0600-1699-94 TA	10-14-94	DG



- 1 AMP, PART NUMBER AND DATE CODE MARKED THIS SURFACE.
- 2 CAVITY I.D. NUMBERS MARKED ON ENDS, THIS SIDE ONLY (SEE TABLE)
- 3 FLEX CIRCUITS MATERIAL: 3.5 OUNCE (REF) BERYLLIUM COPPER PER QQ-C-530 CONDUCTORS WITH POLYIMIDE DIELECTRIC AND ACRYLIC ADHESIVE.
- 4 SIDE PLATES: STAINLESS STEEL PER QQ-S-763.
- 5 HOUSING MATERIAL: CRYSTAL POLYMER
COLOR: GRAY
CONTACT MATERIAL: COPPER ALLOY
- 6 NOT RELEASED FOR PRODUCTION.



1 - 150	3.725	149	4.355	3.700	74	4.225	4.100	4.460	300	449682-5
1 - 76	1.875	75	2.505	1.850	37	2.375	2.250	2.610	152	449682-4
1 - 160	3.975	159	4.605	3.950	79	4.475	4.350	4.710	320	449682-3
1 - 100	2.475	99	3.105	2.450	49	2.975	2.850	3.210	200	449682-2
1 - 60	1.475	59	2.105	1.450	29	1.975	1.850	2.210	120	449682-1
CAVITY IDENTIFICATION	DIM H	DIM G	DIM F	DIM E	D	DIM C	DIM B	DIM A	NUMBER OF POSITIONS	PART NUMBER

DO NOT SCALE PRINT. UNLESS SPECIFIED DIMENSIONS IN INCHES TOLERANCES ON:

DR 9-7-93 T. ALEXANDER	AMP Incorporated Harrisburg, PA 17105-3608
CHK 9-9-93 D. GUTTER	
APPD 9-9-93 D. GUTTER	NAME PIN ASSY 4 ROW MINI-BOX
APPD 9-9-93 T. ALEXANDER	
MATERIAL 5	APPLICATION SPEC -
PRODUCT SPEC -	
FINISH .000050 MIN GOLD IN CONTACT AREA, TIN-LEAD SOLDER TAILS	SIZE D
WEIGHT	CAGE CODE 00779
	DRAWING NO 449682
	SCALE 4:1
	SHEET 1 OF 1