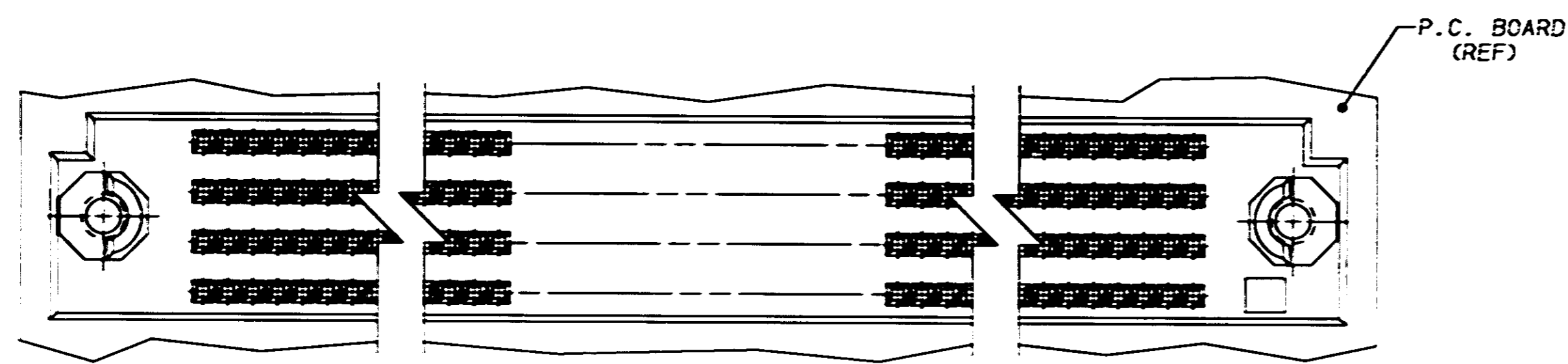
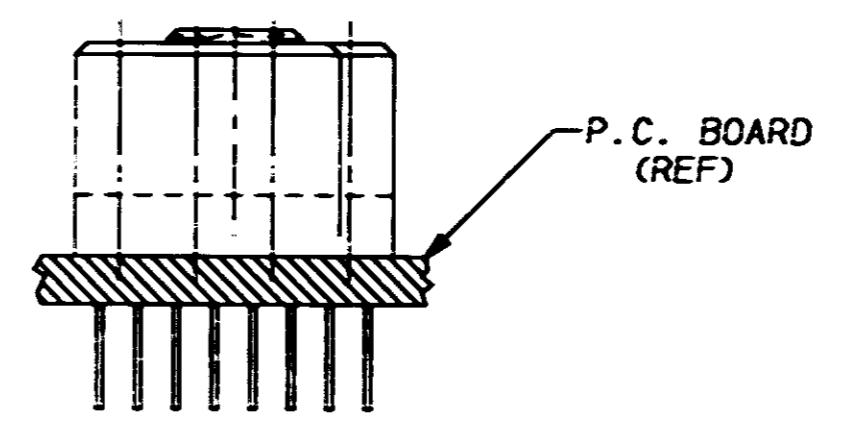
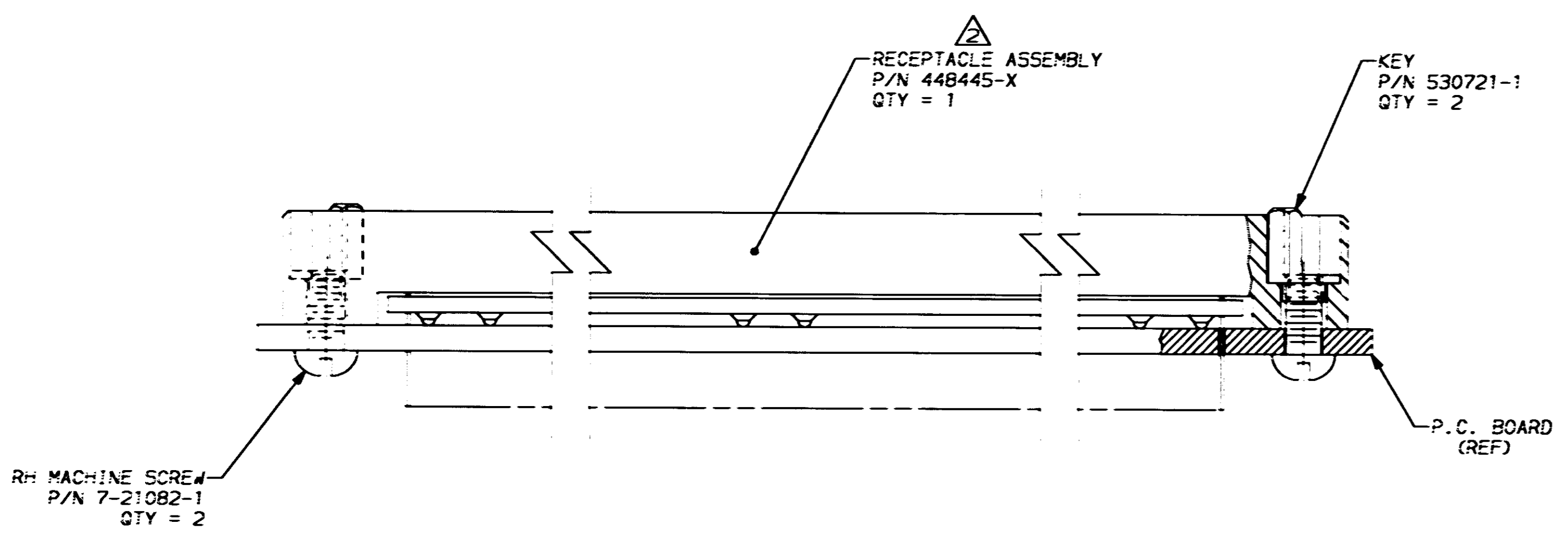


PROJ		LOC		DIST		REVISIONS			
CODE	DF	FC	P	F	ZONE	LTR	DESCRIPTION	DATE	APPD
7739					0		REL PER NPR 93-413 TA	12-16-93	DG



1. HARDWARE PACKAGED UNASSEMBLED.  
 2. RECEPTACLE ASSEMBLY PART NUMBER:
- | KIT      | POS'N | RECEPTACLE ASSEMBLY |
|----------|-------|---------------------|
| 449650-1 | 300   | 448445-5            |
| 449650-2 | 152   | 448445-4            |



152	449650-2
300	449650-1
NUMBER OF POSITIONS	PART NUMBER

DC NOT SCALE PRINT. UNLESS SPECIFIED DIMENSIONS IN INCHES TOLERANCES ON + 2 PLC DEC ± - 3 PLC DEC ± - ANGLES ± -	DR 12-15-93 T. ALEXANDER	NAME <b>RECEPTACLE ASSEMBLY KIT</b> 4 ROW MINI-BOX
	CHK 12-16-93 D. GUTTER	
MATERIAL	APPD 12-16-93 D. GUTTER	APPD 12-16-93 T. ALEXANDER
	PRODUCT SPEC	
FINISH	APPLICATION SPEC	SIZE D
		CAGE CODE 00779
	WEIGHT	DRAWING NO 449650
		SCALE 4:1
		SHEET 1 OF 1