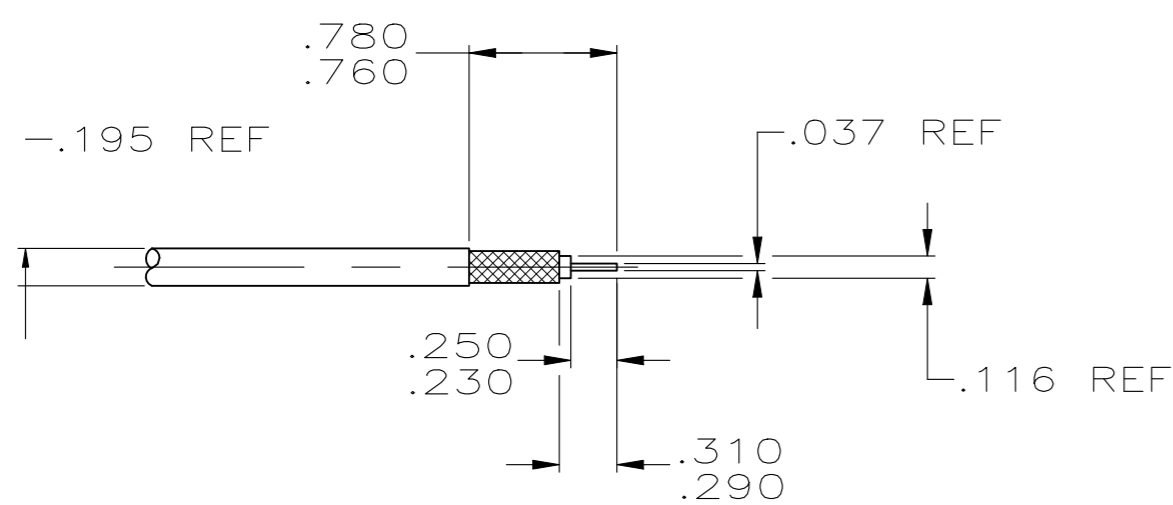
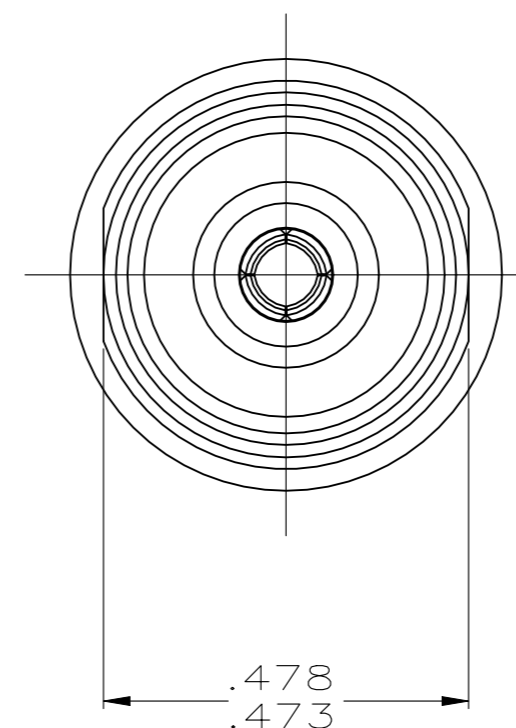
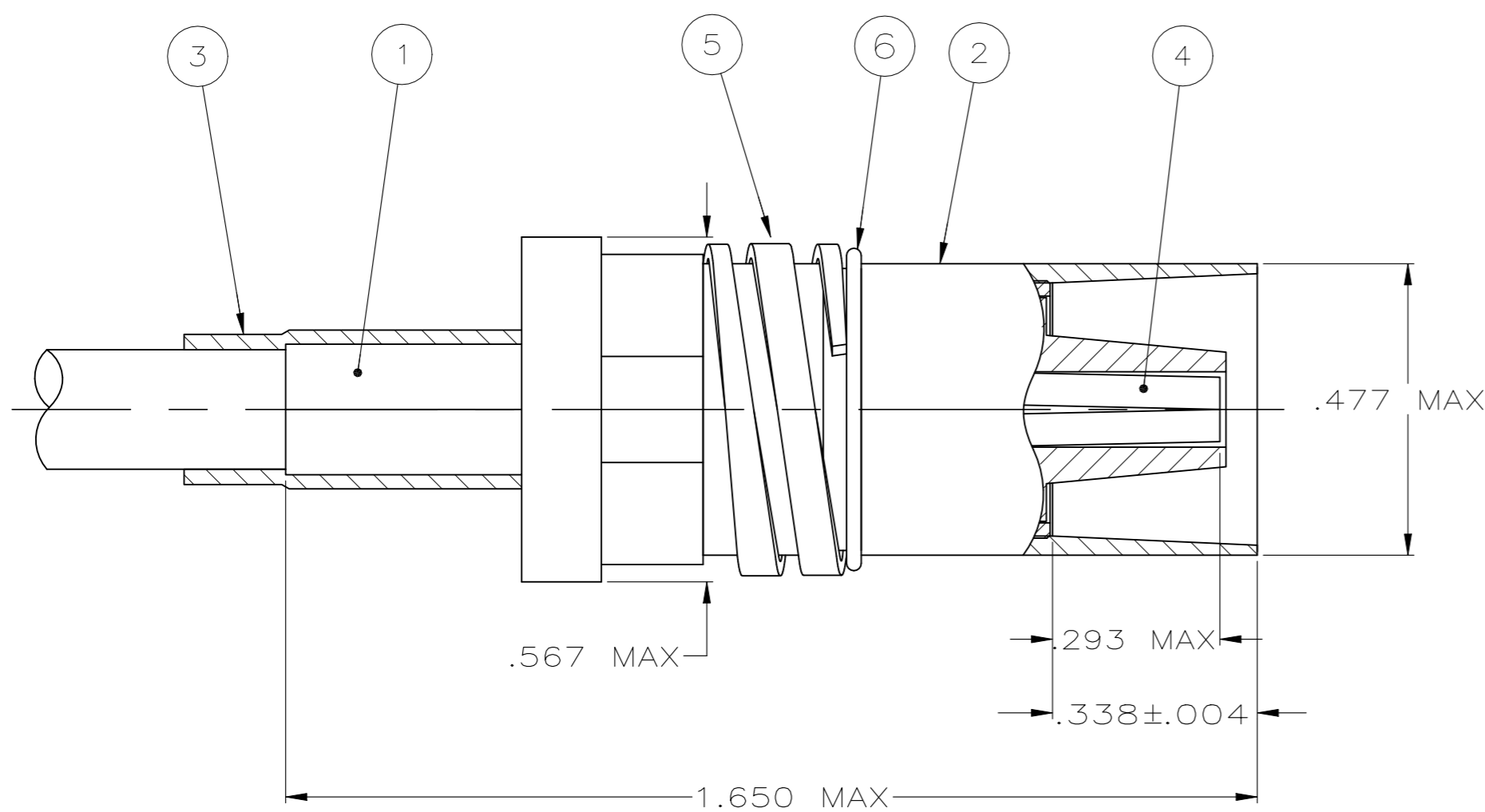


REVISIONS					
P	LTR	DESCRIPTION	DATE	DWN	APVD
G		REVISED PER ECN-23-239340	11/13/23	FN	MR

1. FOR USE WITH RG-142/U CABLE
2. BRAID CRIMP:USE MILITARY TOOL M22520/5-01, WITH DIE SET M22520/5-11,CAVITY A OR EQUIVALENT
3. CENTER CONTACT CRIMP:USE MILITARY TOOL M22520/5-01, WITH DIE SET M22520/5-11,CAVITY B OR EQUIVALENT
4. SEE APPLICATION SPEC. 114-9017.
5. PARTS PACKAGED UNASSEMBLED.



RECOMMENDED STRIP LENGTH
SCALE 1:1

1	985184-1	RING,RETAINING	6
1	446921-2	SPRING	5
1	446551-1	CONTACT ASSEMBLY	4
1	228143-2	HEAT SHRINK TUBING	3
1	446550-1	SOCKET ASSEMBLY	2
1	446556-3	FERRULE	1
QTY	PART NO	DESCRIPTION	ITEM NO

THIS DRAWING IS A CONTROLLED DOCUMENT.		DWN 5/11/89 FRANCISCO NAVARRO	TE TE Connectivity	
DIMENSIONS: INCHES		CHK 11/13/23 FRANCISCO NAVARRO		
TOLERANCES UNLESS OTHERWISE SPECIFIED:		APVD 11/13/23 MONICA RODRIGUEZ	NAME COAXIAL CONTACT, SOCKET,SIZE 1,MODIFIED	
0 PLC ± - 1 PLC ± - 2 PLC ± - 3 PLC ± .005 4 PLC ± - ANGLES ± -		PRODUCT SPEC -	SIZE CAGE CODE DRAWING NO RESTRICTED TO	
MATERIAL -		FINISH -	WEIGHT 0.000000	A2 00779 C=446549-1
		CUSTOMER DRAWING		SCALE 4:1 SHEET 1 OF 1 REV G