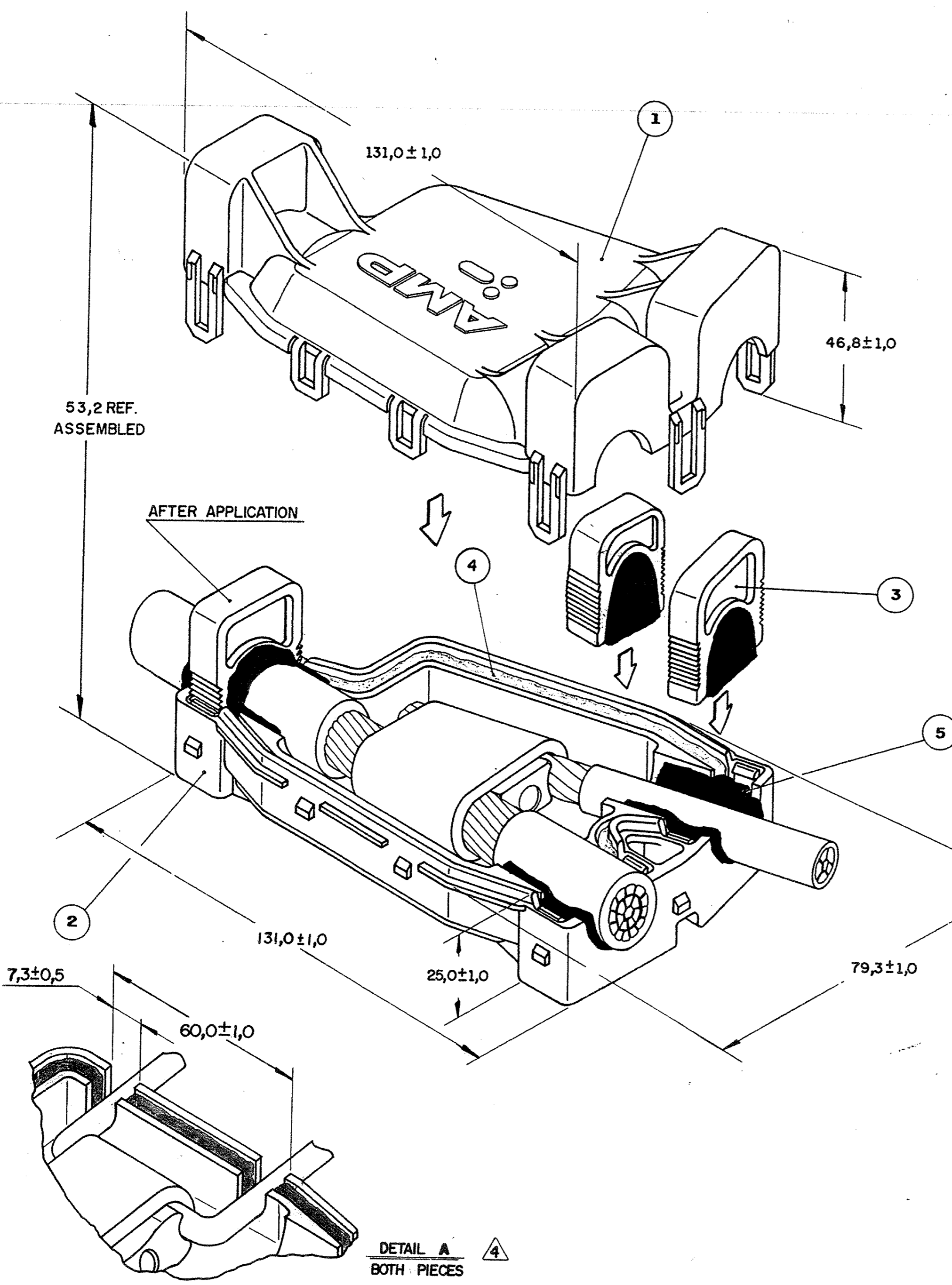


SHEET 1 OF 1
C 444419

DWG NO. 444419					DO NOT SCALE		METRIC		3rd ANGLE PROJECTION		
-5	-4	-3	-2	-1	DIMENSIONS IN mm.						
REQ. PER ASSY					ITEM	DESCRIPTION	MATERIAL	FINISH			
1	1	1	1	1	①	COVER, SMALL	PLASTIC UV RESISTANT				
1	1	1	1	1	②	BODY, SMALL					
3	-	-	3	3	③	CABLE CLAMP, SMALL					
-	-	-	10g	10g	④	SEALANT					
-	-	-	80g	60g	⑤	SEALANT, PAD		TYP. QUANTITIES Δ			
1	1	1	1	1	---	PLASTIC BAG					



NOTES:

- 1 - SUPPLIED IN INDIVIDUAL PLASTIC BAG.
- 2 - USED FOR UDC TYPES I, II, VI, VII, C, D AND AMPACT RED.
- Δ - TYPICAL QUANTITIES JUST FOR REFERENCE
- Δ - USED FOR STIRRUP ASSEMBLY (STIRRUP NOT SUPPLIED). SEE DETAIL A

W/O STIRRUP SLOT	SEE TABLE	444419-5
W/ STIRRUP SLOT	SEE TABLE	444419-4
W/O STIRRUP SLOT	SEE TABLE	444419-3
W/ STIRRUP SLOT	SEE TABLE	444419-2
W/O STIRRUP SLOT	SEE TABLE	444419-1
REMARKS	FINISH	MATERIAL
CUSTOMER DWG for REFERENCE ONLY		
THIS DRAWING IS UNPUBLISHED. RELEASED FOR PUBLICATION.		
C. COPYRIGHT 1989 BY AMP DO BRASIL LTDA S.P. ALL INTERNATIONAL RIGHTS RESERVED. AMP PRODUCTS MAY BE COVERED BY U.S. AND FOREIGN PATENTS AND/OR PATENTS PENDING.		
TOLERANCES UNLESS OTHERWISE STATED		
INS. DIA RANGE WIRE RANGE SCALE		
DEC ±0,3 ANGLES ±1°		
AMP do BRASIL LTDA. São Paulo, Brasil		
DESCRIPTION: PROTECTIVE COVER, MEDIUM VOLTAGE SMALL SIZE ASS'Y		
DWG NO. C 444419 SHEET 1 of 1		