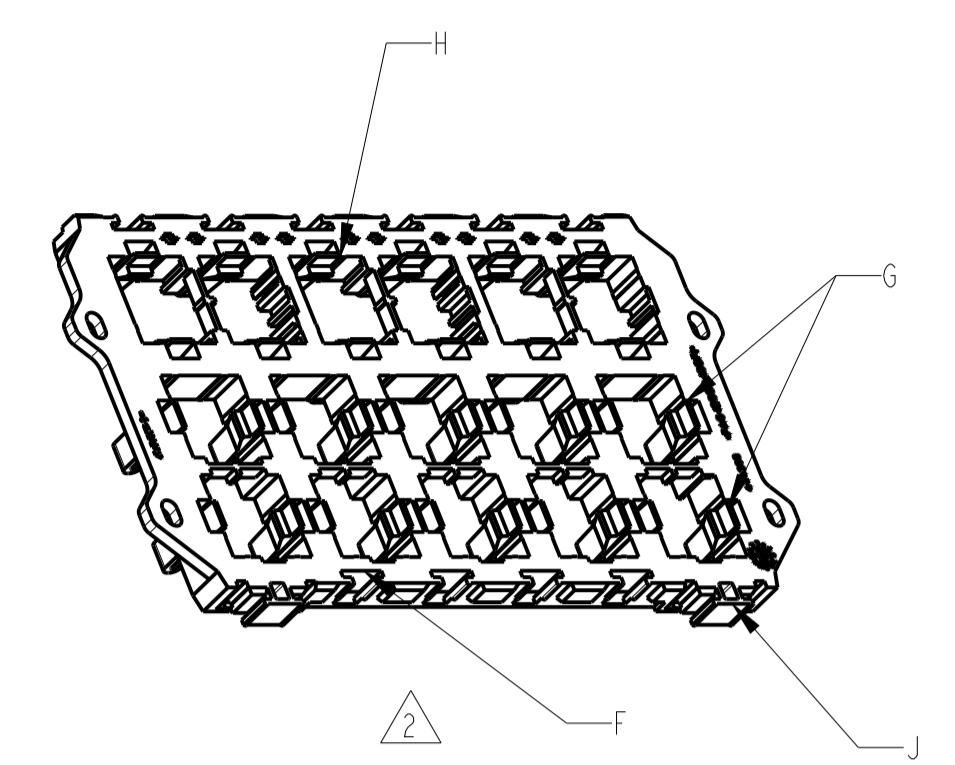
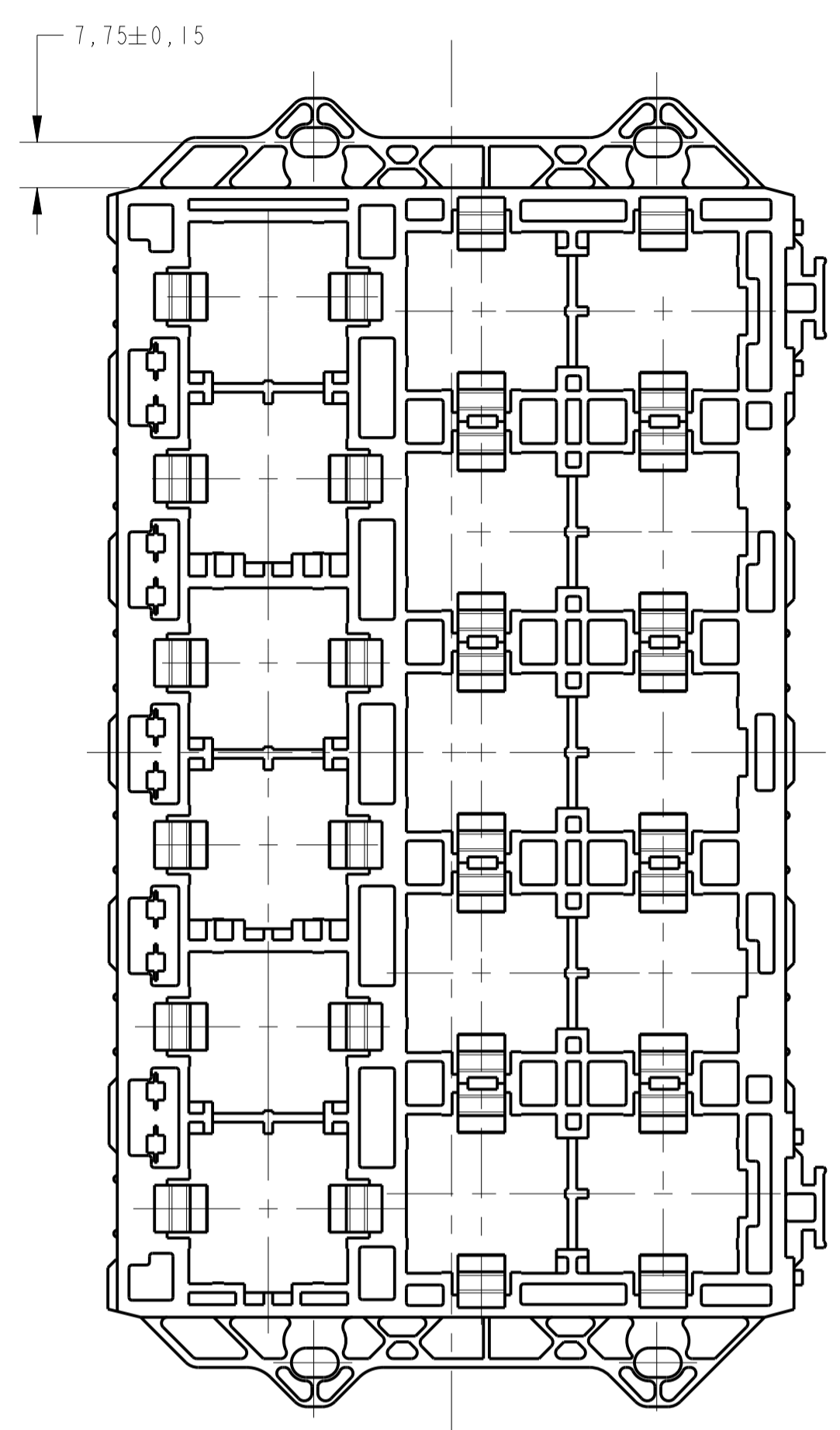
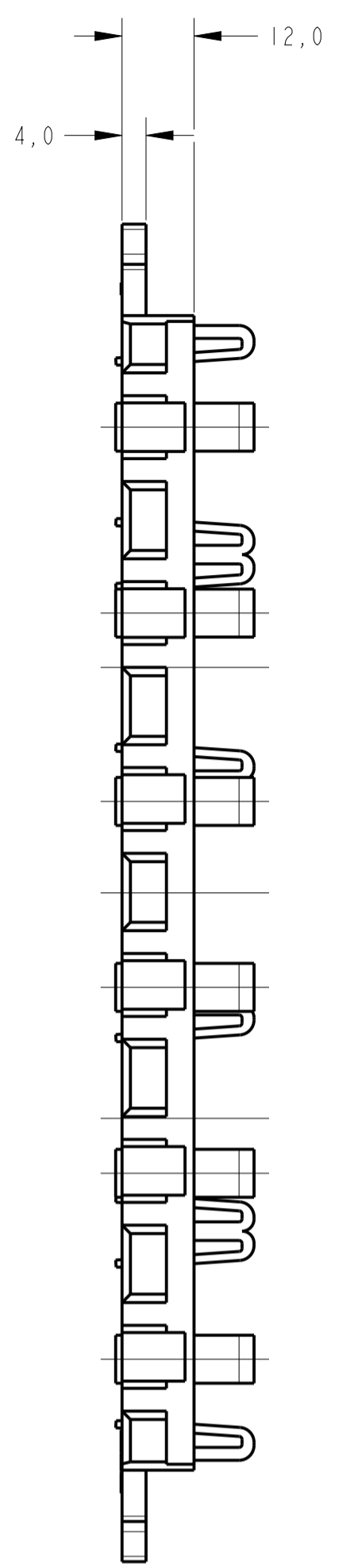
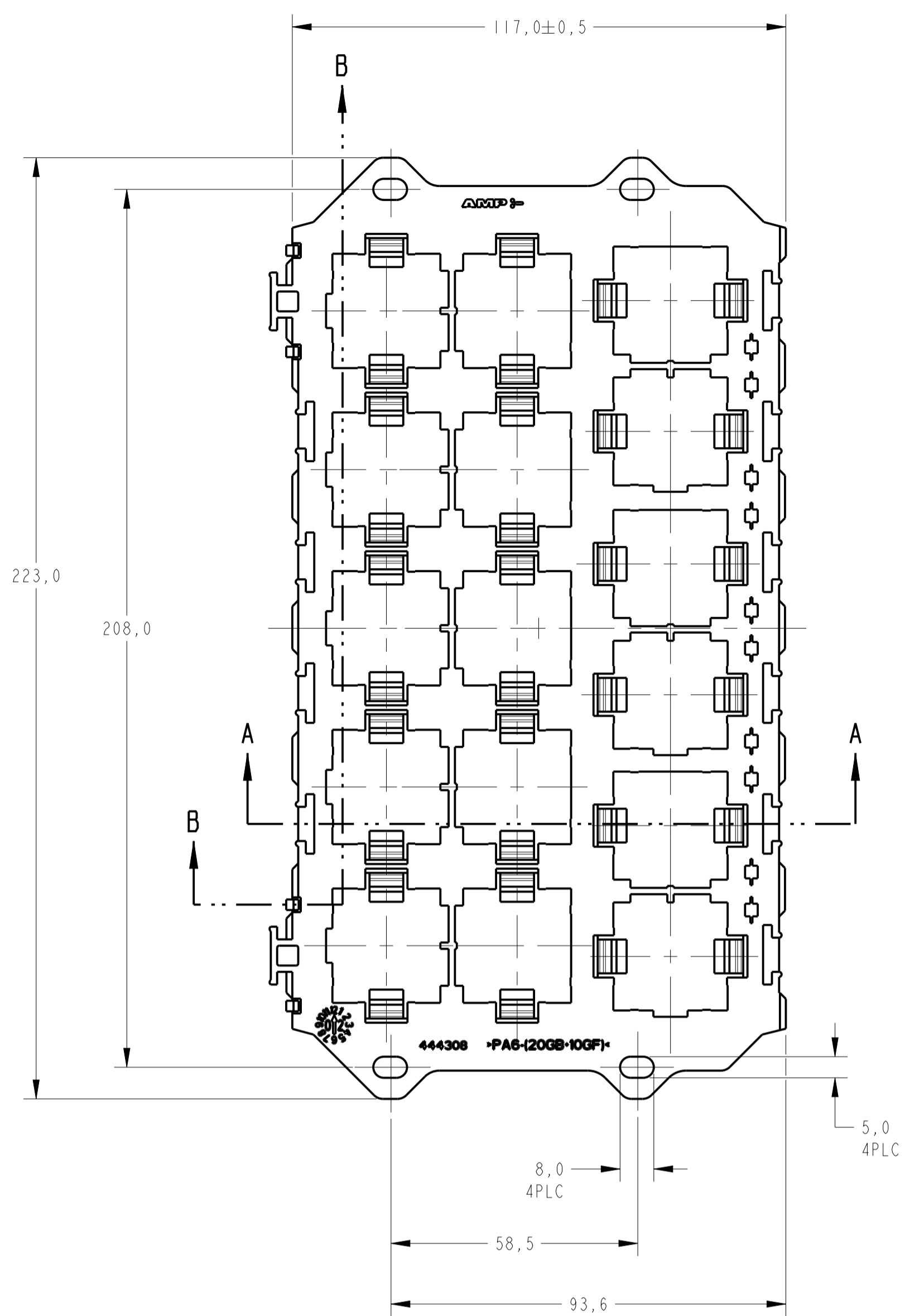


LOC	DIST	REV	LTN	DESCRIPTION	DATE	DWN	APVD
AP	-	C2		CHANGE STATUS ECO-14-017499	20NOV2014	NCL	GOJ

creo
Creo Parametric 2.0
DO NOT REVISE
EXCEPT BY CAD



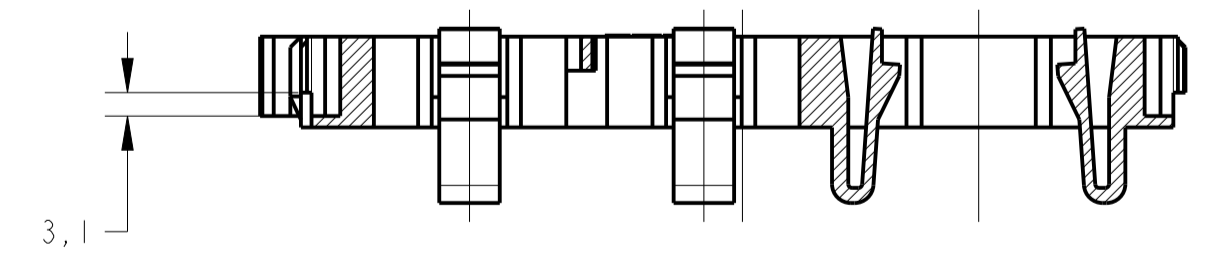
PERSPECTIVE VIEW
SCALE 1:2

GRAVAÇÃO
LOGOTIPO AMP
AMP LOGO
CODIGO PAIS PRODUTOR
MANUFACTURER COUNTRY CODE
NOMENCLATURA MATERIAL
MATERIAL NOMENCLATURE
NÚMERO COMPONENTE
COMPONENT NUMBER
DATADOR
DATE CODE

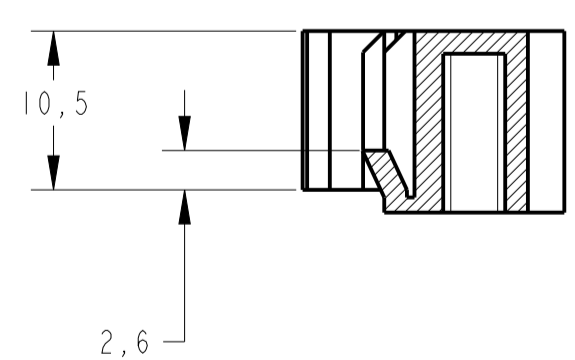
1 - DUAS OU MAIS PEÇAS 444308
PODEM SER MONTADAS ENTRE SI
ATRAVÉS DA JUNÇÃO J.

1 - TWO OR MORE PARTS 444308
CAN BE MATED THEMSELVES
THROUGH JOINT J.

△ - CONECTORES QUE PODEM SER USADOS:
△ - CONNECTORS THAT CAN BE USED:



SECTION A-A



SECTION B-B
SCALE 2:1

DESENHO Nº	DESCRIÇÃO	POSIÇÃO
DWG NO.	DESCRIPTION	POSITION
444309	POWER GROUND ASSY	F
444311	HSG. FOR DIODES	G
444312	HSG. FOR FUSES	G
444313	RELAY SUPPORT	H
444314	RELAY SUPPORT	F / J

FINISH	MATERIAL	PART NUMBER
PRETO / BLACK	PA6-(20%GB+10%GF)	444308 -2
PRETO / BLACK	PA 6.6 + 33% FV/GF	444308 -1

DIMENSIONS:		TOLERANCES UNLESS OTHERWISE SPECIFIED:		FINISH	
mm	0 PLC	±		SEE TABLE	
	1 PLC	±0,3			
	2 PLC	±			
	3 PLC	±			
	4 PLC	±			
	ANGLES	±			

THIS DRAWING IS A CONTROLLED DOCUMENT.	DWN: N.C. LAPRESA 02SEP99	TE Connectivity
	CHK: P.L. FARIA 28JAN00	
	APVD: L.G. DALTO 31JAN00	NAME: FRAME, FUSE RELAY BOX
MATERIAL: SEE TABLE	FINISH: SEE TABLE	SIZE: A1
	WEIGHT: -	CAGE CODE: 00779
		DRAWING NO: 444308
	Customer Drawing	SCALE: 1:1
		SHEET: 1 OF 1
		REV: C2