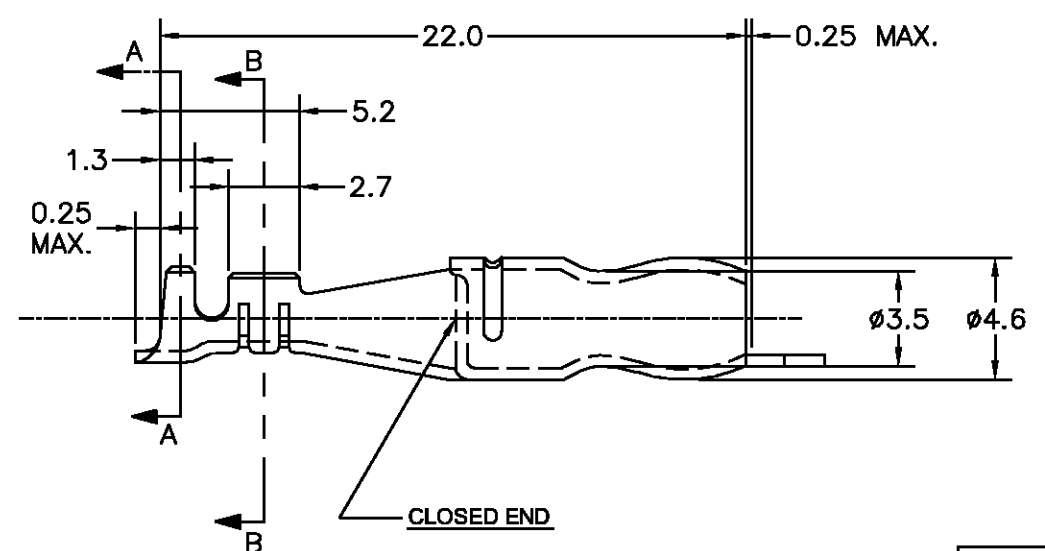
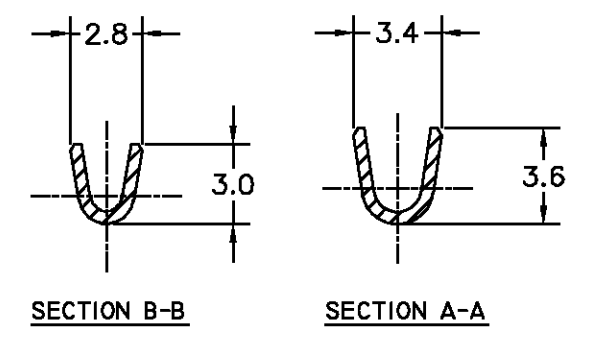
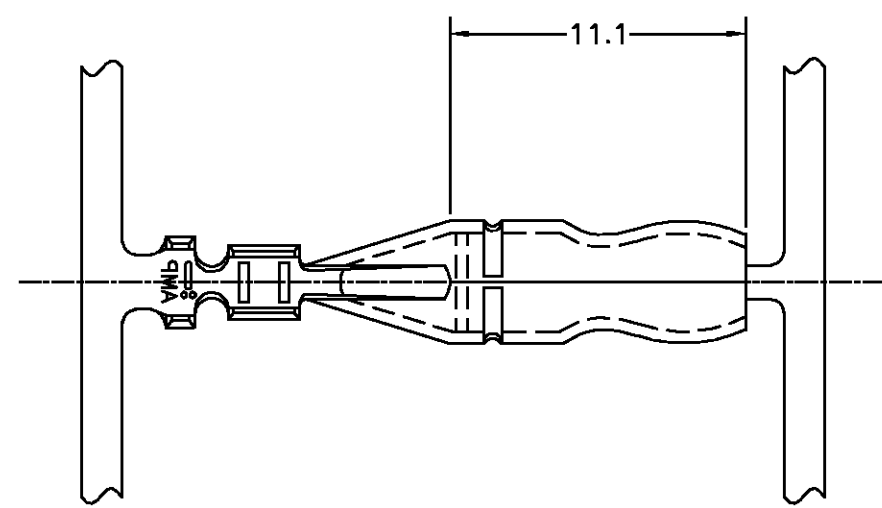


THIS DRAWING IS UNPUBLISHED. RELEASED FOR PUBLICATION .19  
 © COPYRIGHT 19 BY AMP INCORPORATED. ALL RIGHTS RESERVED.

CAD  
 AutoCAD  
 DO NOT REVISE  
 EXCEPT BY CAD

LOC	DIST	REVISIONS					
AP	-	P	LTR LT	DESCRIPTION	DATE	DWN DES	APVD APR
		A		REDRAW BY ECLB 0436/99	29Sep99	AP	PLF
		B		NOTE 1 ADDED		MRB	PLF
		B1		REVISED BY ECO-06-006673	18MAY06	EGS	PLF
		B2		REVISED PER ECO-09-026346	26NOV09	KK	AEG



△-EMENDAS POR ESPEC.115-1012. △-SPLICE PER SPEC. 115-1012.  
 △ OBSOLETE PARTS: OBSOLETE CIS STREAMLINING PER D.RENAUD/D.SINISI

NOTE	FINISH	MATERIAL	PART NUMBER
REBOBINAR INVERSO / INVERSE REELING	PRÉ ESTANHADO / PRE-TIN	LATÃO / BRASS	444154-2 △
△ OBSOLETE	---	LATÃO / BRASS	<del>444154-1</del>

THIS DRAWING IS A CONTROLLED DOCUMENT.		DWN/DES A.PERUSSI 15SEP99	AMP do BRASIL Ltda. São Paulo - Brasil	
DIMENSIONS: DIMENSÕES MM	TOLERANCES UNLESS OTHERWISE SPECIFIED: TOLERANCIA NAO ESPECIFICADAS	CHK/CH P.L.FARIA 29SEP99	NAME DESIGNO	
	0 PLC/DEC ± - 1 PLC/DEC ± 0,3 2 PLC/DEC ± - 3 PLC/DEC ± - 4 PLC/DEC ± - ANGLES/ANGULARES ± 0' 30"	APVD / APR L.G.DALTO 07OCT99	.180 DIA SHUR PLUG	
	FINISH ACABAMENTO SEE TABLE	PRODUCT SPEC APPLICATION SPEC WEIGHT	SIZE A3	DRAWING NO DESENHO NO C-444154
WIRE RANGE (mm²)	0,5 - 1,0 mm²	CAGE CODE 00779		RESTRICTED TO -
INSUL. RANGE (Ø mm)	1,40 - 2,00 mm	DRAWING NO DESENHO NO C-444154		REV B2
MATERIAL SEE TABLE		CUSTOMER DRAWING/DESENHO DE CLIENTE		SCALE ESCALA 4:1
		SHEET FOLHA 1 OF 1		