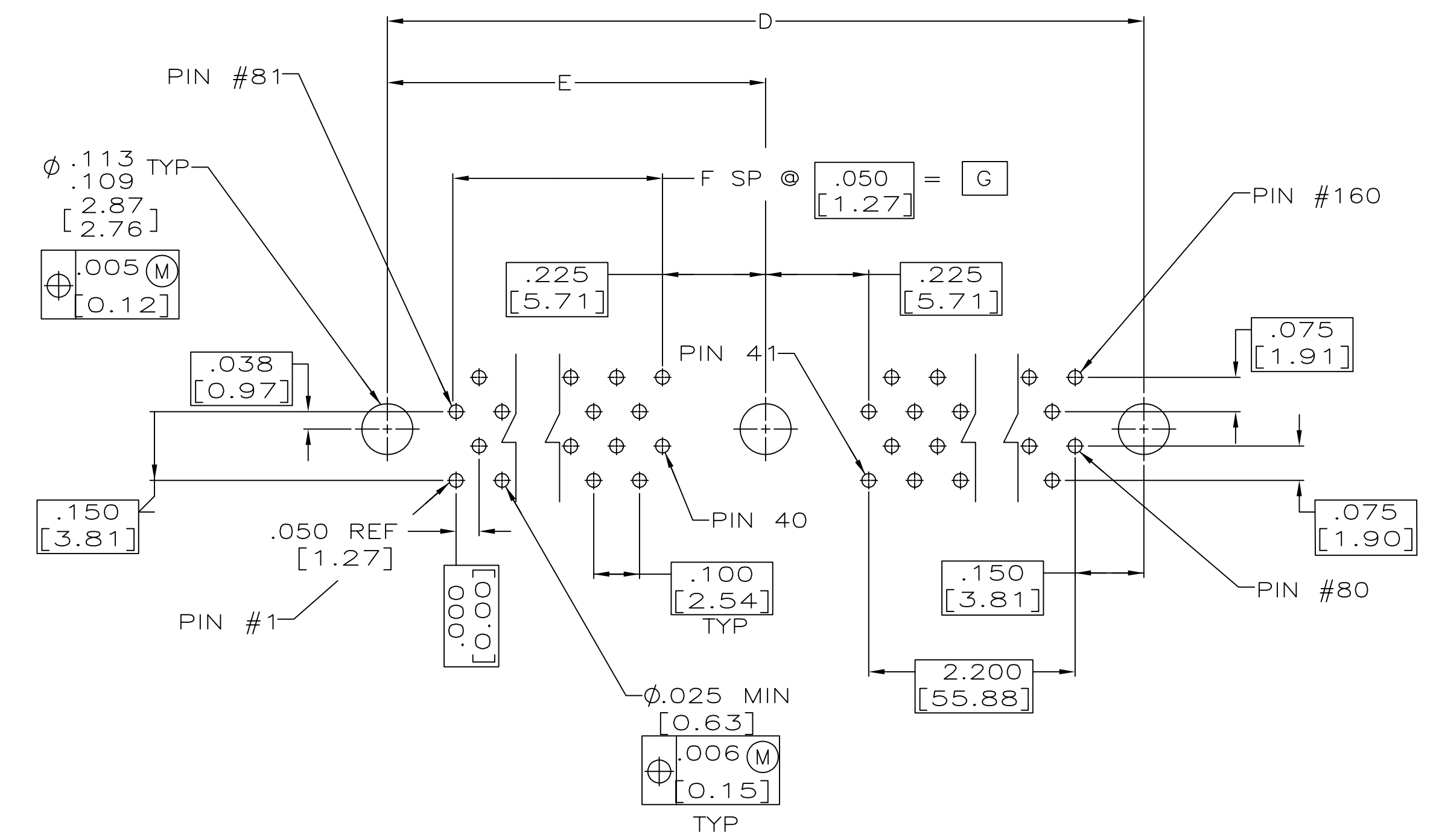
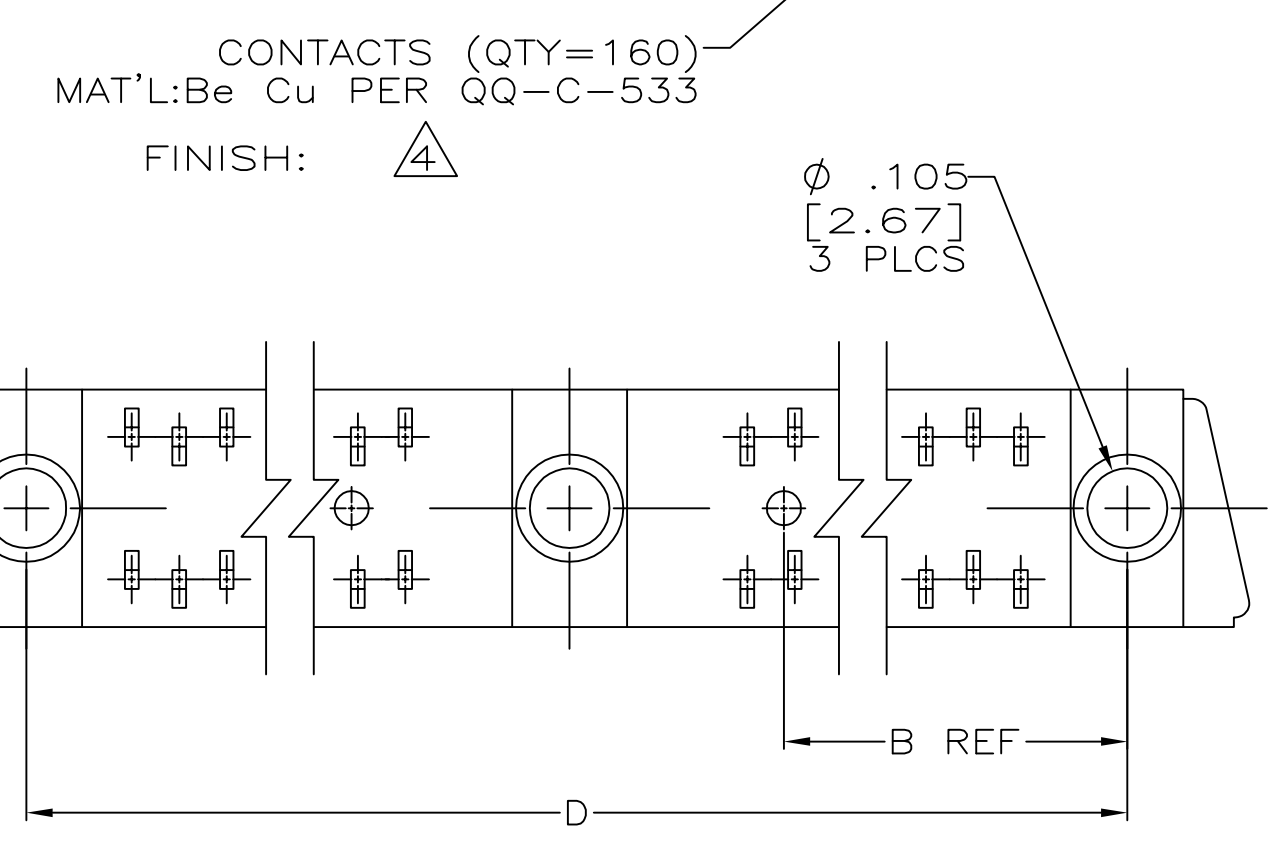
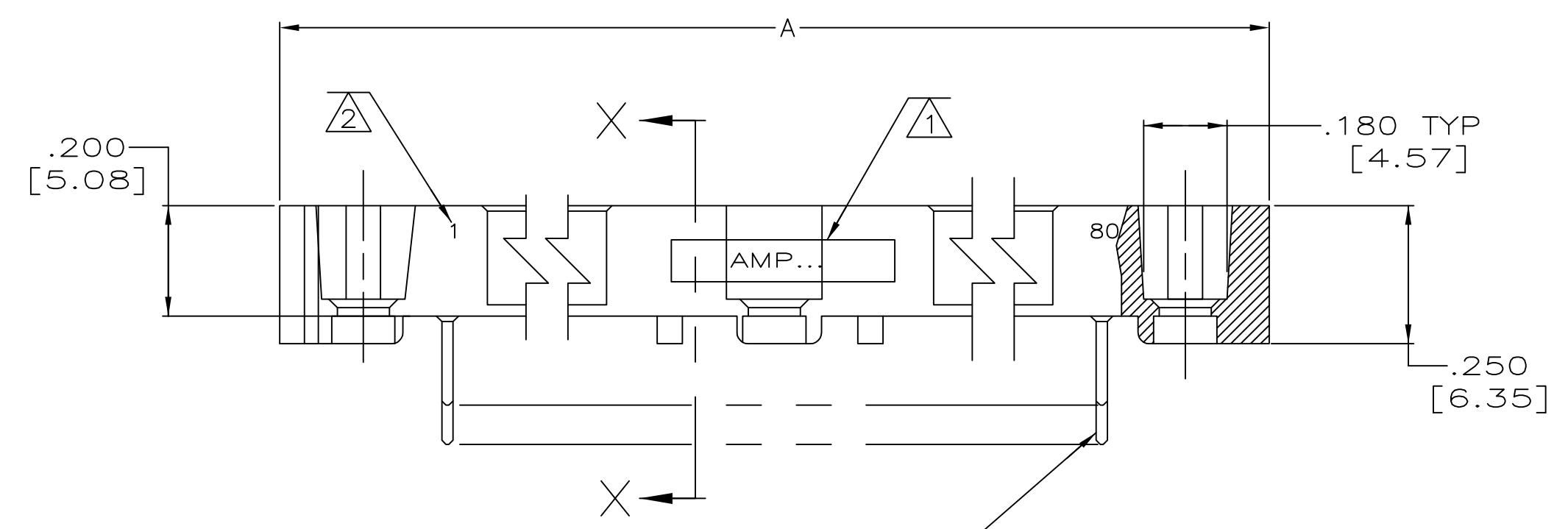
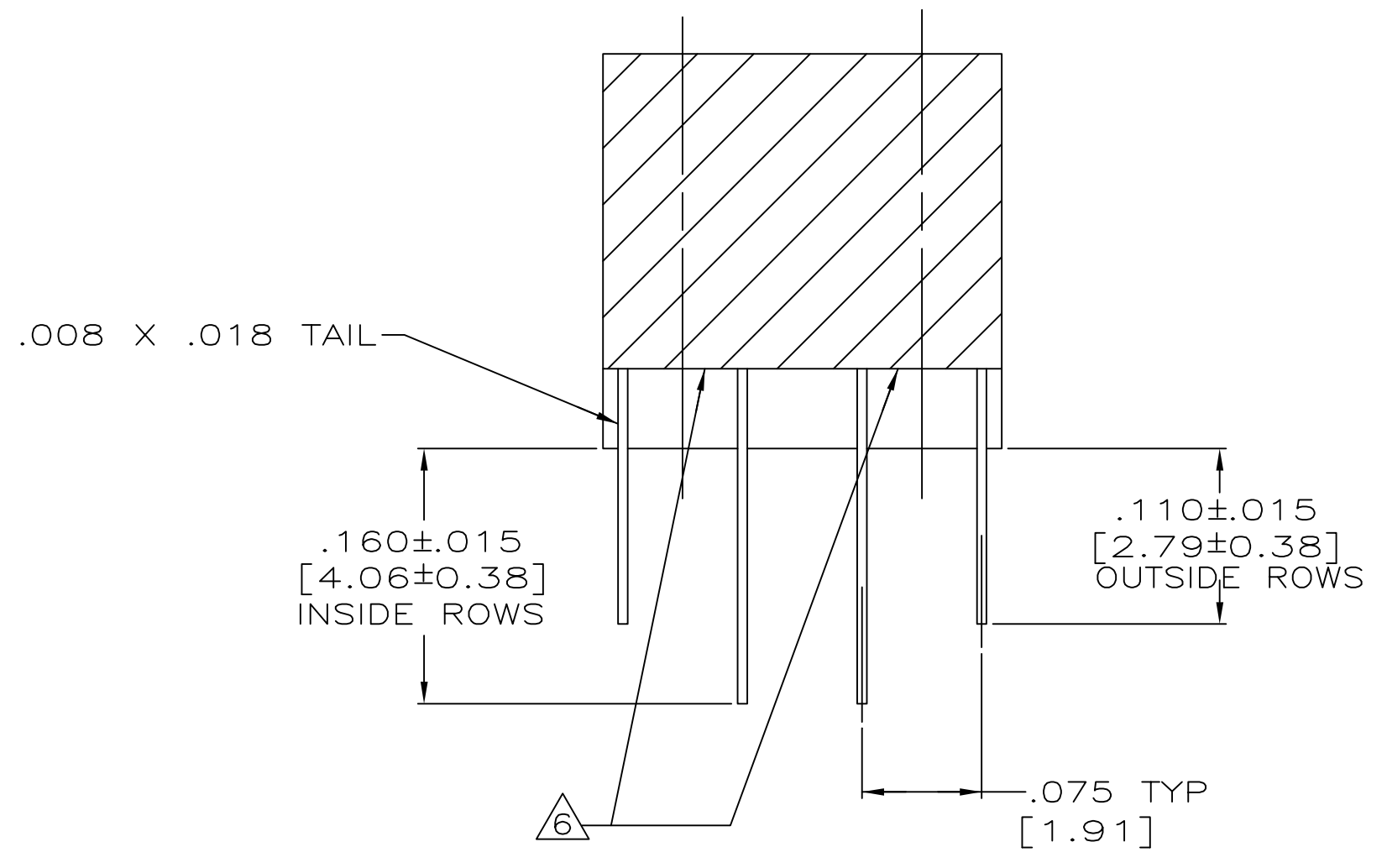
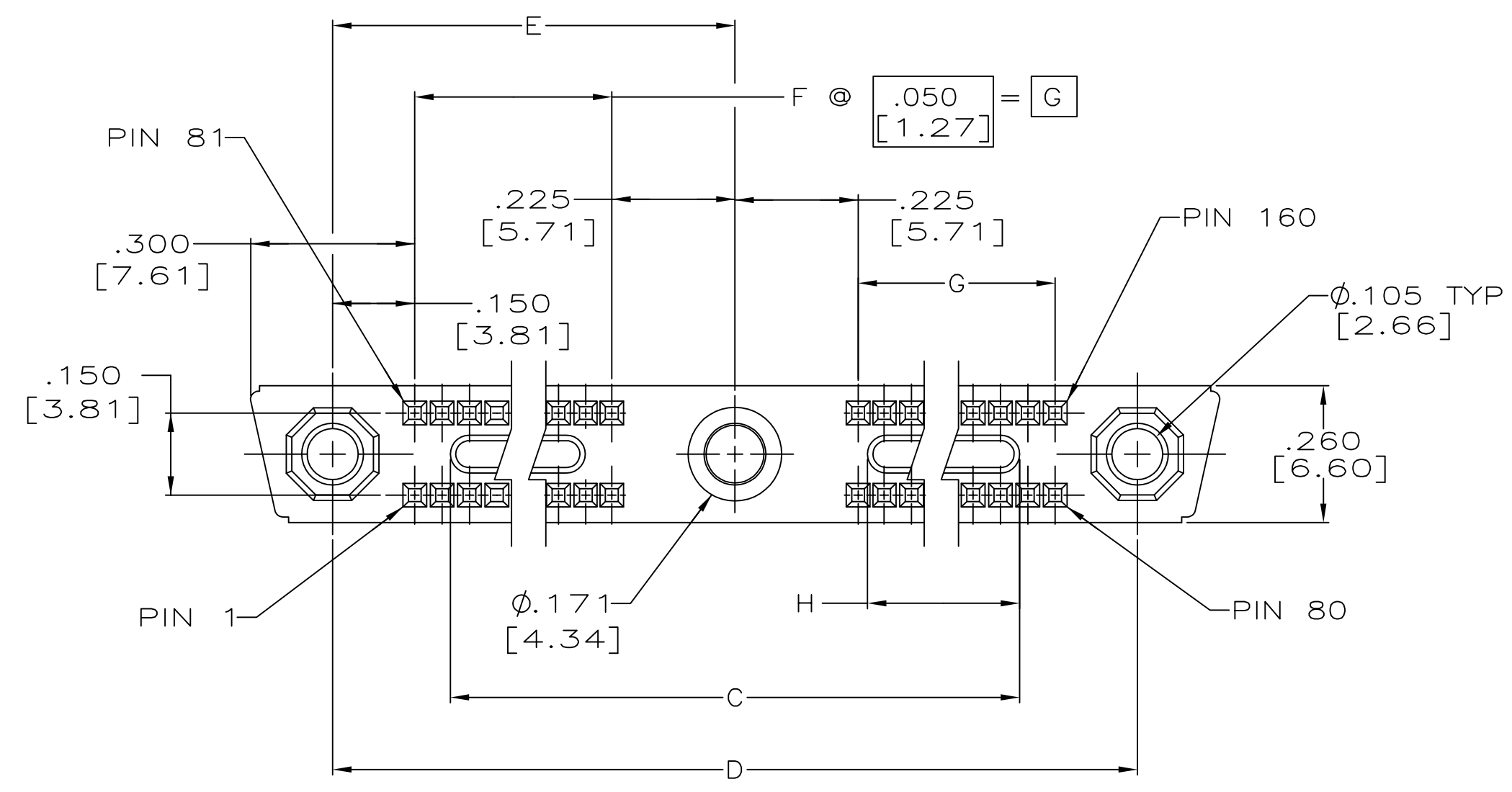


REVISIONS				
P	LTR	DESCRIPTION	DATE	OWN APVD
A		REVISED PER ECO-16-017894	27APR2017	PHM CT



- Δ AMP, AMP PART NO, AND DATE CODE MARKED IN THIS APPROX. AREA.
- Δ NUMBERS INDICATING END POSITIONS MARKED THIS SIDE ONLY.
- 3. MEETS ALL APPLICABLE REQUIREMENTS OF MIL-C-55302.
- Δ FINISH: .000050[0.0012] GOLD PER MIL-G-45204 OVER NICKEL PER QQ-N-290 IN CONTACT AREA. REMAINDER OF CONTACT TIN-LEAD OVER NICKEL.
- Δ HOUSING MATERIAL: LIQUID CRYSTAL POLYMER PER MIL-M-24519, GLCP-30F; COLOR: GRAY.
- Δ BOTTOM SURFACE OF HOUSING SEALED.

1 & 80	1.800 [45.72]	1.950 [49.53]	39	2.325 [59.06]	4.650 [118.11]	4.200 [106.68]	1.162 [29.51]	4.950 [125.73]	160	443996-1
CONTACT IDENT NUMBERS	H	G	F	E	D	C	B	A	NUMBER OF CONTACTS	PART NUMBER

THIS DRAWING IS A CONTROLLED DOCUMENT.

OWN: C.C. THOMAS 6-18-97
 DWR: D. GUTTER 6-20-97
 APVD: D. GUTTER 6-20-97

TE Connectivity

RECEPTACLE ASSEMBLY, EXTENDED MINI-BOX WITH LOW FORCE CONTACTS, SPECIAL

SIZE: A1 CAGE CODE: C=443996 DRAWING NO: 00779

SCALE: 4:1 SHEET: 1 OF 1 REV: A

CUSTOMER DRAWING