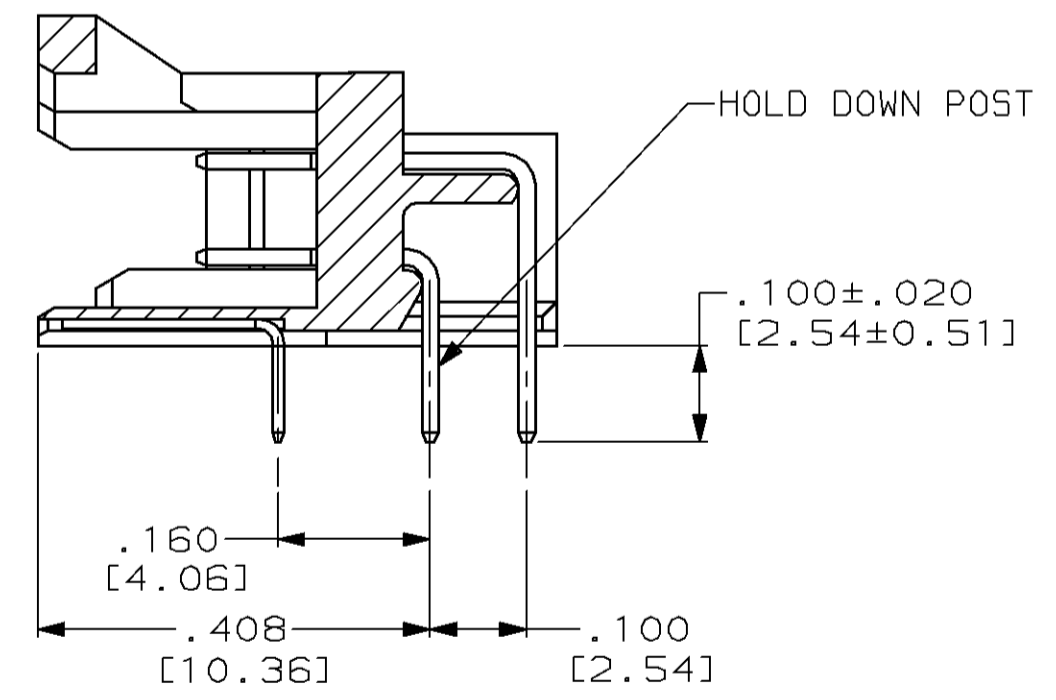
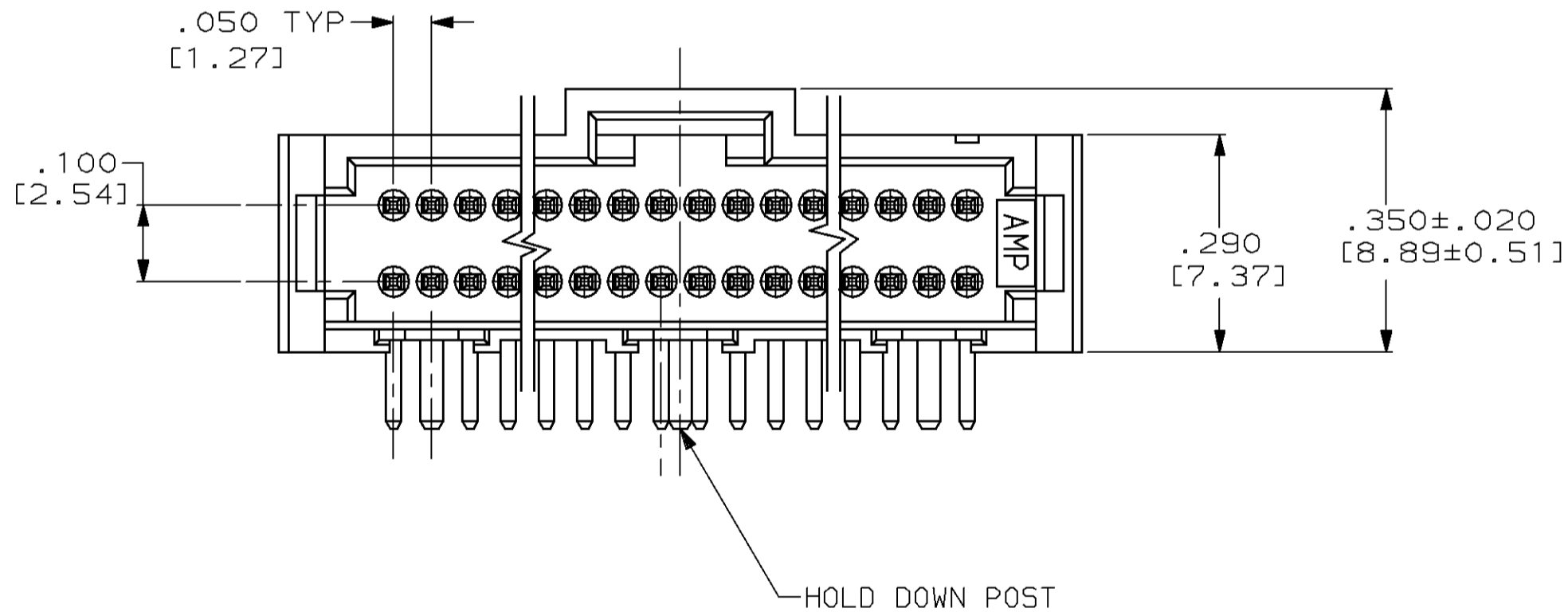
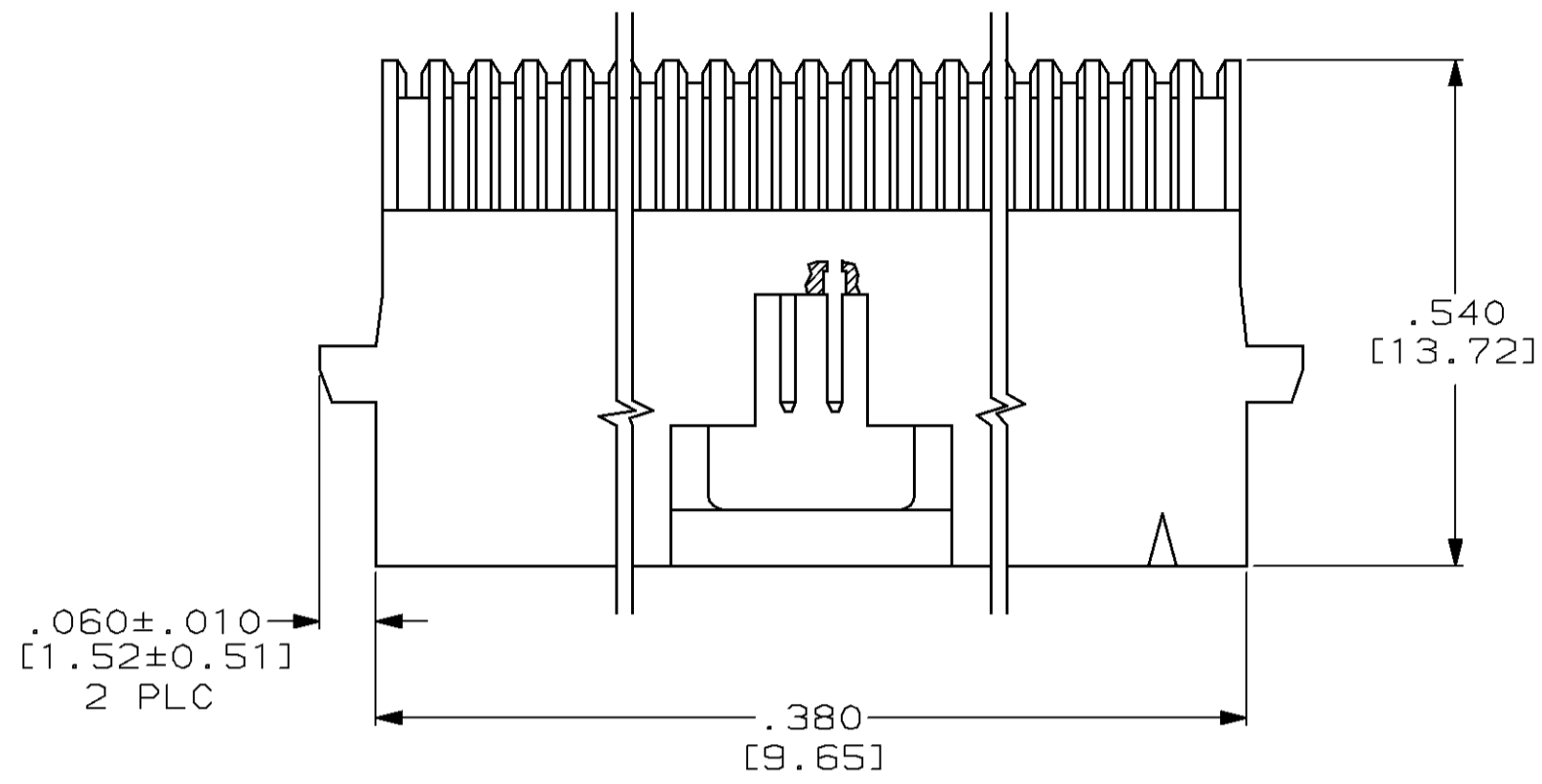


THIS DRAWING IS UNPUBLISHED. RELEASED FOR PUBLICATION
 BY AMP INCORPORATED. ALL RIGHTS RESERVED.

LOC		DIST		REVISIONS			
P	LTR	DESCRIPTION		DATE	DWN	APVD	
0		RELEASED PER 0600-4580-95		1-96	CT	DE	



1472A5375-2	443539-1
MOTOROLA PART NO.	PART NUMBER

<small>THIS DRAWING IS A CONTROLLED DOCUMENT FOR AMP INCORPORATED. IT IS SUBJECT TO CHANGE AND THE CONTROLLING ENGINEERING ORGANIZATION SHOULD BE CONTACTED FOR THE LATEST REVISION.</small>		DWN C.C. THOMAS 1-24-96	AMP AMP Incorporated Harrisburg, PA 17105-3608
DIMENSIONS: INCHES [mm]		CHK D.EABY 1-26-96	
TOLERANCES UNLESS OTHERWISE SPECIFIED: 0 PLC ±- 1 PLC ±- 2 PLC ±- 3 PLC ±.005 (0.13) 4 PLC ±- ANGLES ±- FINISH -		APVD D.EABY 1-26-96	NAME SYSTEM 50, 10 POSN, DOUBLE ROW, RT. ANGLE, HEADER (LGH)
MATERIAL -		PRODUCT SPEC -	SIZE A2
		APPLICATION SPEC -	CAGE CODE 00779
		WEIGHT -	DRAWING NO ©-443539
		CUSTOMER DRAWING	SCALE 5:1
			SHEET 1 OF 1 REV 0

443539

B

A