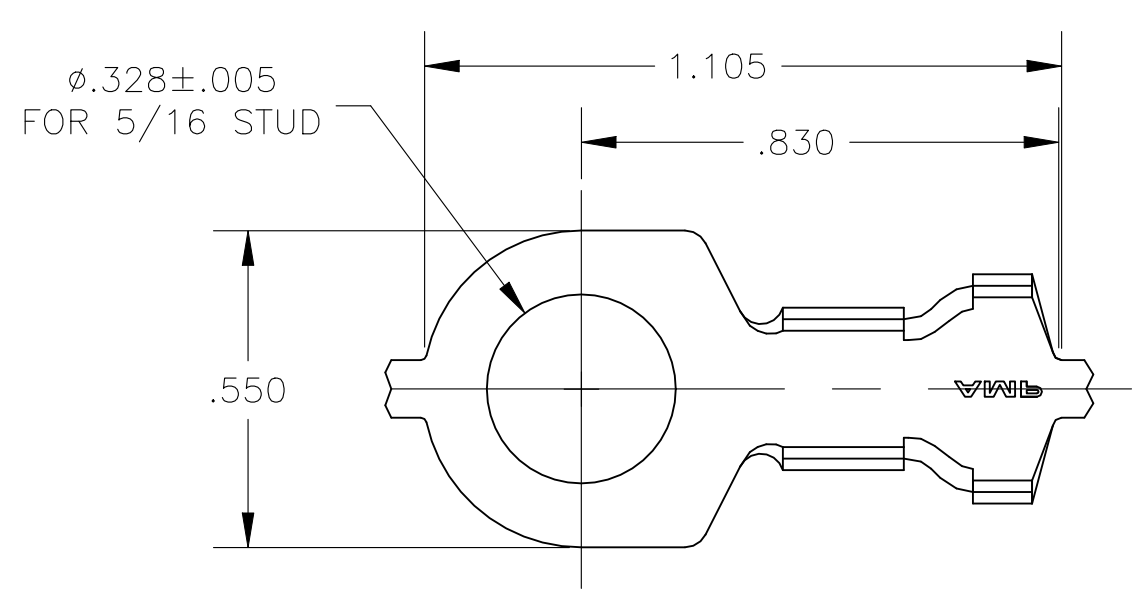
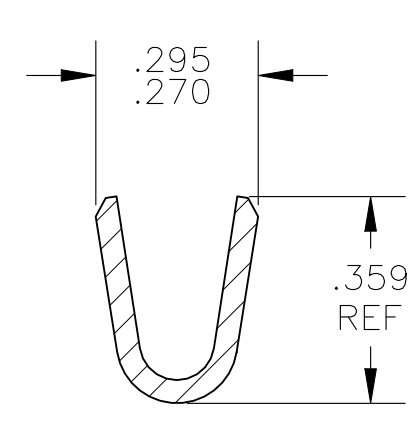
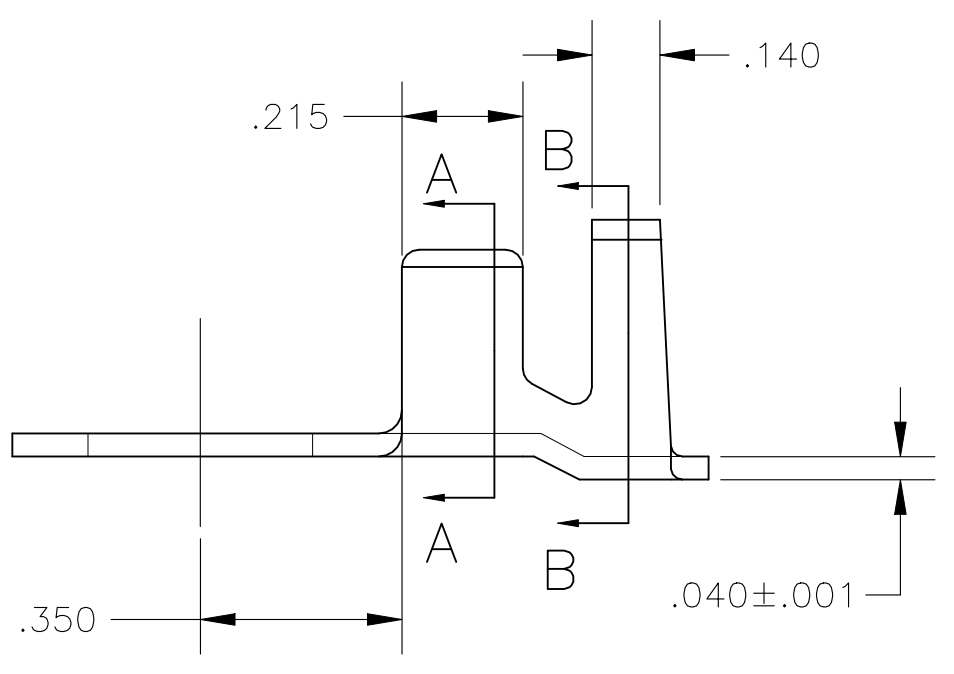


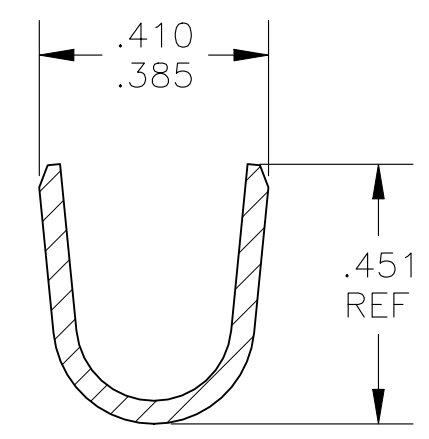
REVISIONS				
P	LTR	DESCRIPTION	DATE	APVD
R1		REVISED PER ECR-23-166604	01MAR2023	DB RE



1. CONTINUOUS STRIP ON REELS
2. WIRE SIZE IS #10-#6 AWG
3. INSULATION RANGE IS .220-.315 DIA
- △ 4. REVERSE REELED



SECTION A-A



SECTION B-B

42913-2  
PART NO

THIS DRAWING IS A CONTROLLED DOCUMENT.		DWN jr_ruth 08FEB05	<b>TE Connectivity</b>														
DIMENSIONS: INCHES		CHK D DECKER 08FEB05															
TOLERANCES UNLESS OTHERWISE SPECIFIED:		APVD D DECKER 08FEB05	NAME														
<table border="0"> <tr><td>0 PLC</td><td>± -</td></tr> <tr><td>1 PLC</td><td>± -</td></tr> <tr><td>2 PLC</td><td>± -</td></tr> <tr><td>3 PLC</td><td>± .015</td></tr> <tr><td>4 PLC</td><td>± -</td></tr> <tr><td>ANGLES</td><td>± 5°</td></tr> </table>		0 PLC	± -	1 PLC	± -	2 PLC	± -	3 PLC	± .015	4 PLC	± -	ANGLES	± 5°	PRODUCT SPEC	RING TONGUE		
0 PLC	± -																
1 PLC	± -																
2 PLC	± -																
3 PLC	± .015																
4 PLC	± -																
ANGLES	± 5°																
MATERIAL 081 BRASS		FINISH TIN	APPLICATION SPEC	SIZE A3	CAGE CODE 00779	DRAWING NO C-42913	RESTRICTED TO										
CUSTOMER DRAWING			WEIGHT 0.000000	SCALE 3:1	SHEET 1 OF 1	REV R1											