

4

3

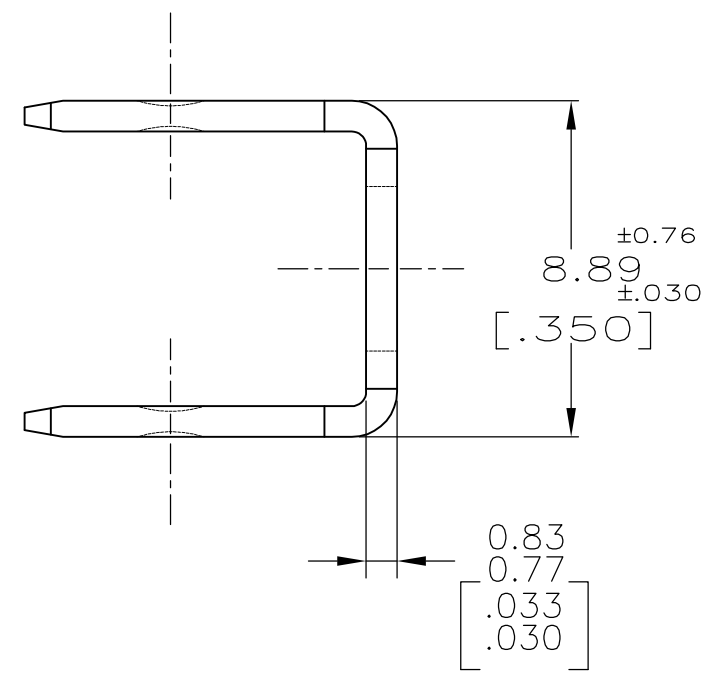
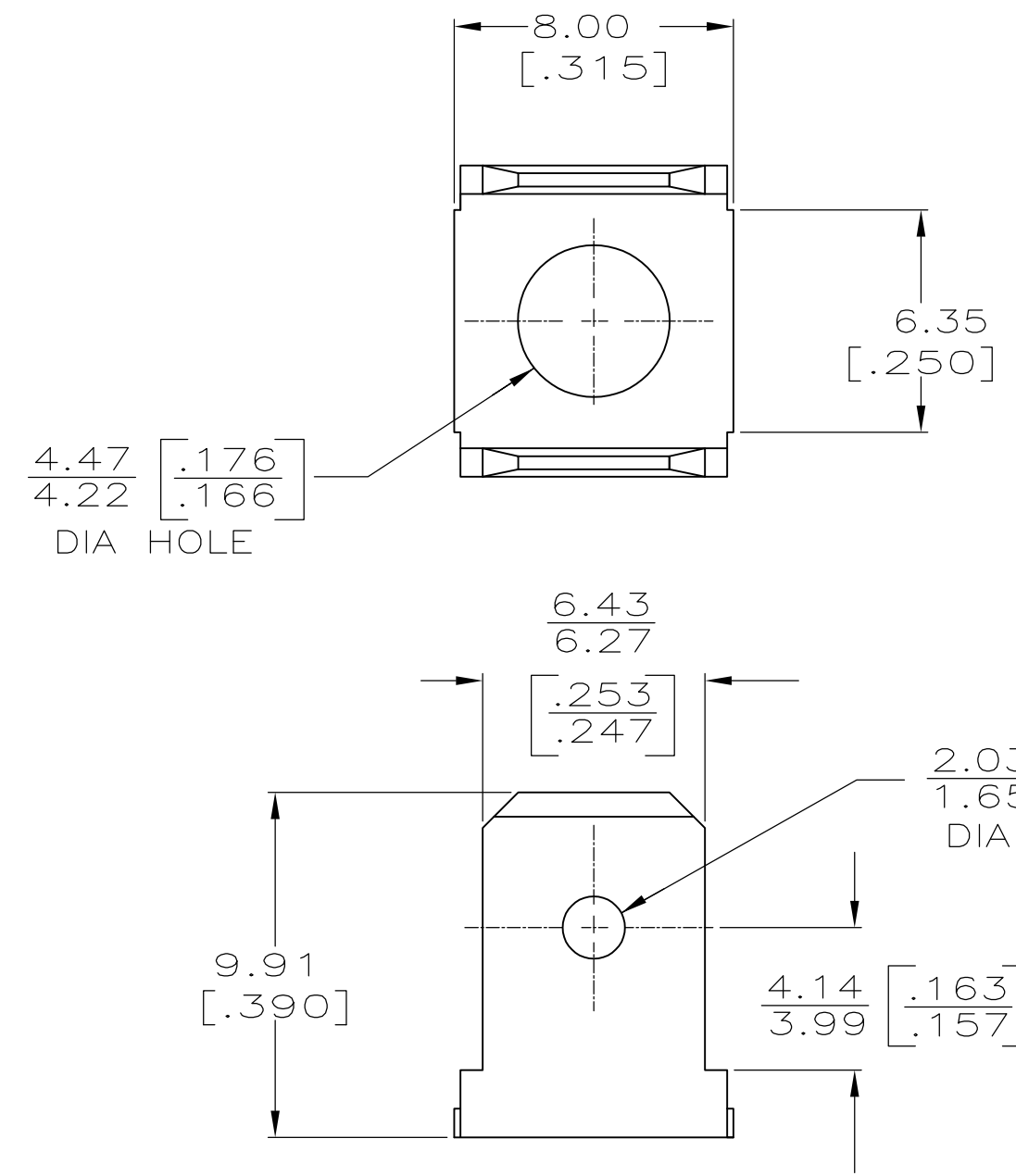
2

1


THIS DRAWING IS UNPUBLISHED. RELEASED FOR PUBLICATION
 © COPYRIGHT - By - ALL RIGHTS RESERVED.

LOC	DIST	REVISIONS			
P	LTR	DESCRIPTION	DATE	DWN	APVD
AF	50	AG	REVISED PER ECR-13-011489	06DEC2013	KH PD

1 SUPPLIED IN LOOSE PIECE.



42802-1
 PART NO

THIS DRAWING IS A CONTROLLED DOCUMENT.		DWN	JR RUTH	12/2/91	 TE Connectivity											
DIMENSIONS: mm [INCHES]		CHK	MS FEHER	12/2/91												
TOLERANCES UNLESS OTHERWISE SPECIFIED:		APVD	MEYERS	12/2/91												
<table border="0"> <tr><td>0 PLC</td><td>± -</td></tr> <tr><td>1 PLC</td><td>± -</td></tr> <tr><td>2 PLC</td><td>± -</td></tr> <tr><td>3 PLC</td><td>± 0.38 [.015]</td></tr> <tr><td>4 PLC</td><td>± -</td></tr> <tr><td>ANGLES</td><td>± -</td></tr> </table>		0 PLC	± -	1 PLC		± -	2 PLC	± -	3 PLC	± 0.38 [.015]	4 PLC	± -	ANGLES	± -	PRODUCT SPEC	
0 PLC	± -															
1 PLC	± -															
2 PLC	± -															
3 PLC	± 0.38 [.015]															
4 PLC	± -															
ANGLES	± -															
MATERIAL		APPLICATION SPEC		SIZE	CAGE CODE	DRAWING NO	RESTRICTED TO									
BRASS		FINISH		A3 00779		C-42802	-									
		TIN		CUSTOMER DRAWING		SCALE	SHEET									
						5:1	1 OF 1									
							REV									
							AG									