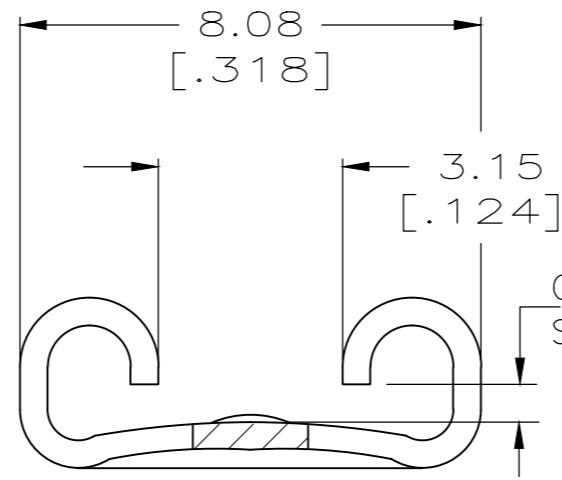
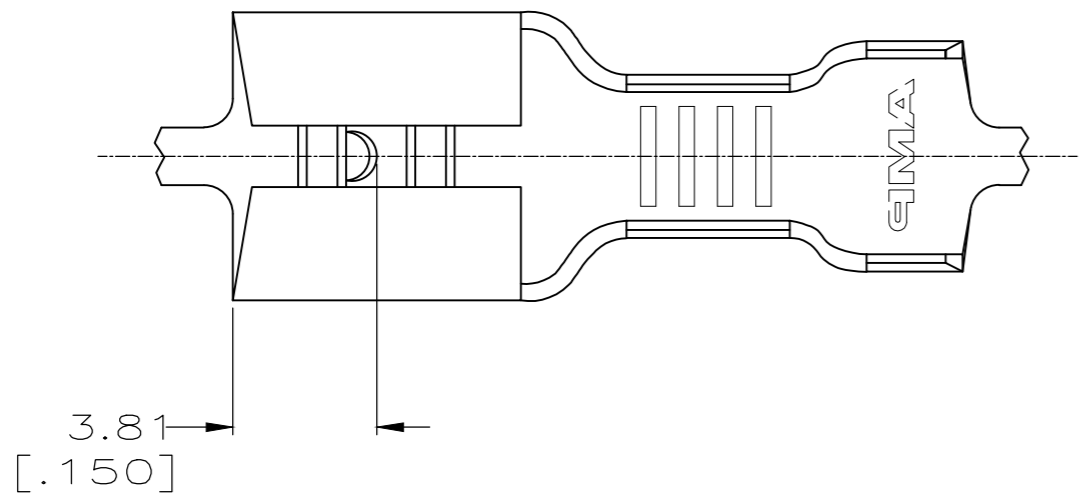


THIS DRAWING IS UNPUBLISHED. RELEASED FOR PUBLICATION
 © COPYRIGHT - By - ALL RIGHTS RESERVED.

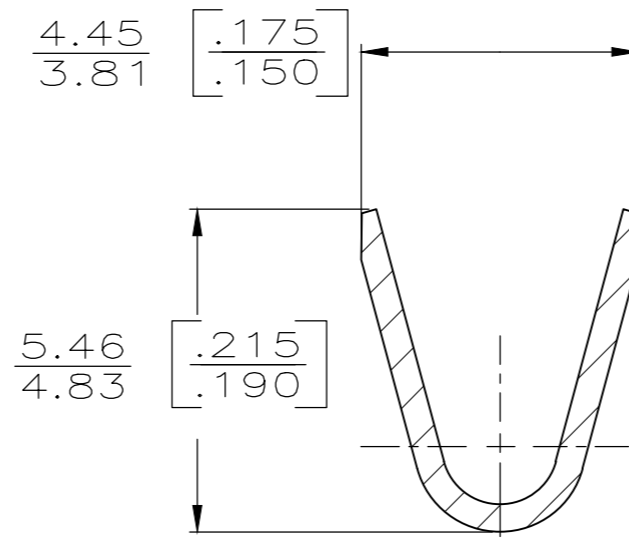
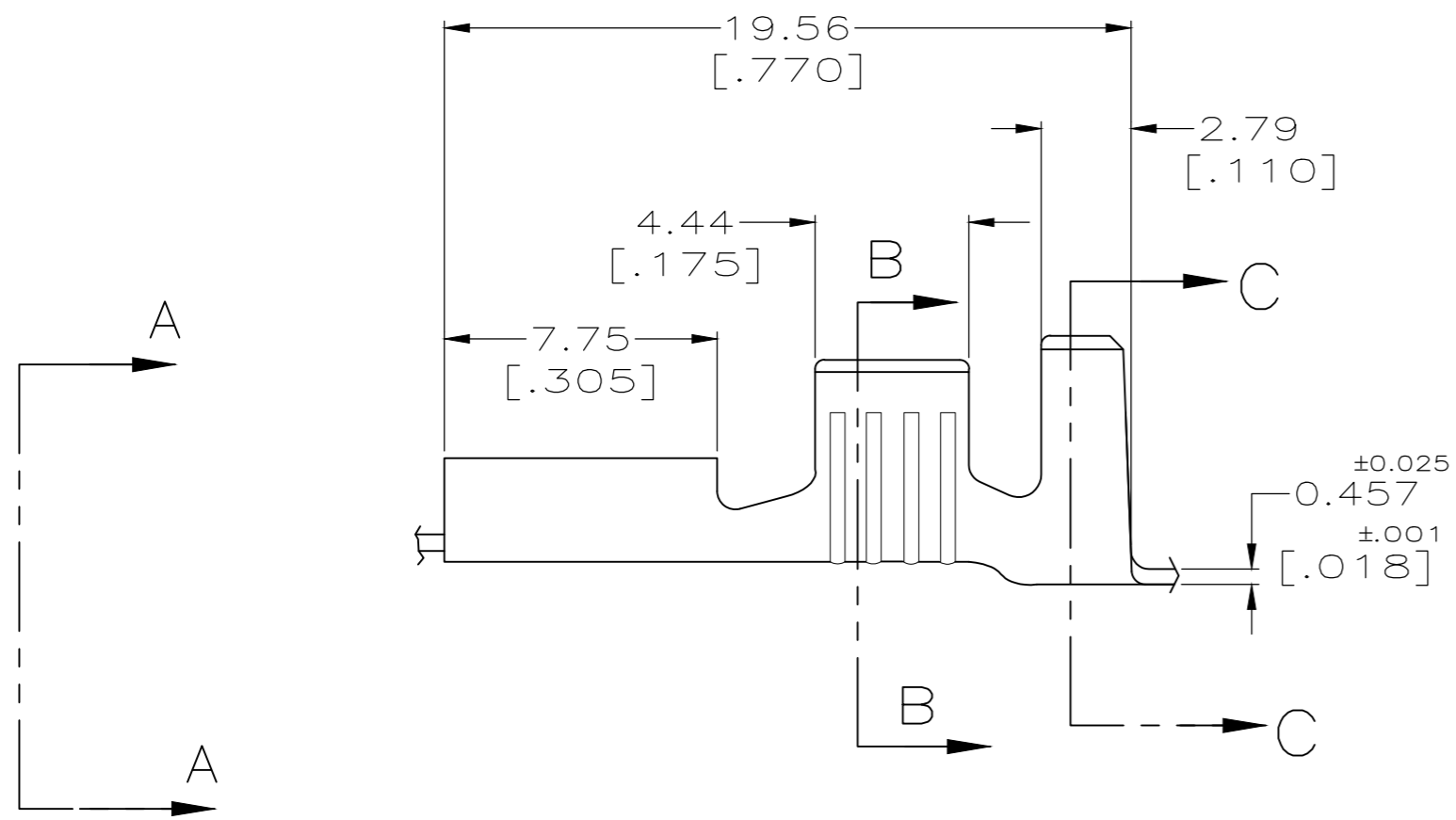
LOC	DIST	REVISIONS			
P	LTR	DESCRIPTION	DATE	DWN	APVD
AF	50	AD1	REVISED PER ECR-20-009164	12AUG2020	MK DH



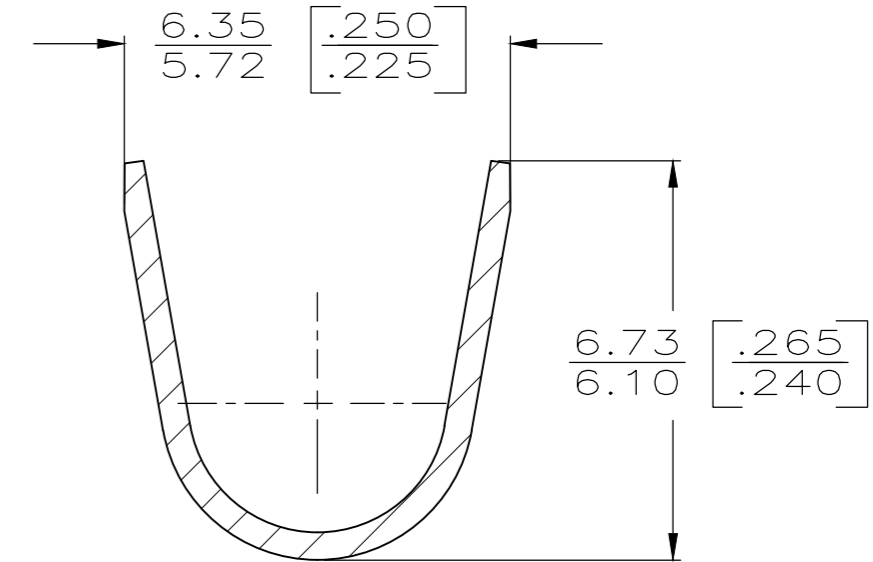
GAP AS REQUIRED TO MEET FORCE SPECIFICATION AND 0.71 [.028] MAX

VIEW A-A
SCALE 10:1

- 1 CONTINUOUS STRIP ON REELS
- △ 2 MAX FIRST INSERTION FORCE, 88.96 NEWTON [20 LBS] USING GAGE 100505.
- 3 WIRE SIZE IS #14-10 AWG
- 4 INSULATION RANGE IS 3.81-5.08 [.150-.200] DIA
- 5 MATING TAB THK IS 0.84-0.76 [.033-.030]
- △ 6 FOREIGN PRODUCTION ONLY
- △ 7 OBSOLETE PARTS: OBSOLETE CIS STREAMLINING PER D.RENAUD/D.SINISI



SECTION B-B
SCALE 8:1



SECTION C-C
SCALE 8:1

TYPE	WIDTH	STRIP LENGTH ±0.38 ±[.015]	TYPE	WIDTH	±.051 ±.002 HEIGHT	WIRE
F	5.33 [.210]	6.4 [.252]	F	3.30 [.130]	2.108 [.083]	2.0mm [14]
					2.413 [.095]	3.0mm [12]
					2.921 [.115]	5.0mm [10]
INSUL BARREL CRIMP	WIRE BARREL CRIMP					

△ 6	△ 7	OBSOLETE	SILVER	TEMP3 PHOS BRZ	△ 42437-6
			TIN	TEMP3 PHOS BRZ	△ 42437-5
		OBSOLETE	-	TEMP3 PHOS BRZ	△ 42437-4
		OBSOLETE	SILVER	TEMP4 BRASS	42437-3
			TIN	BRASS	42437-2
		OBSOLETE	-	TEMP4 BRASS	42437-1
			FINISH	MATERIAL	PART NO.

THIS DRAWING IS A CONTROLLED DOCUMENT.

DIMENSIONS: mm [INCHES]	TOLERANCES UNLESS OTHERWISE SPECIFIED:	DWN JR RUTH 7/10/89	 TE Connectivity RECEPTACLE, FASTON, .250 SERIES
	0 PLC ± -	CHK MS FEHER 7/10/89	
	1 PLC ± -	APVD C MEYERS 7/10/89	
	2 PLC ± -	PRODUCT SPEC	
	3 PLC ± 0.38 [.015]	APPLICATION SPEC	SIZE A2
	4 PLC ± -	WEIGHT -	CAGE CODE 00779
	ANGLES ± -	CUSTOMER DRAWING	DRAWING NO C=42437
MATERIAL SEE TABLE	FINISH SEE TABLE	SCALE 5:1	SHEET 1 OF 1
		RESTRICTED TO -	REV AD1