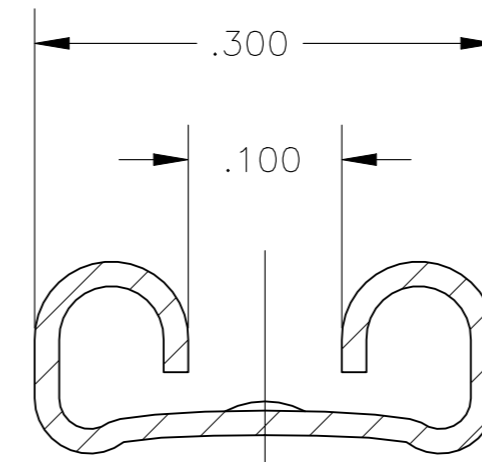
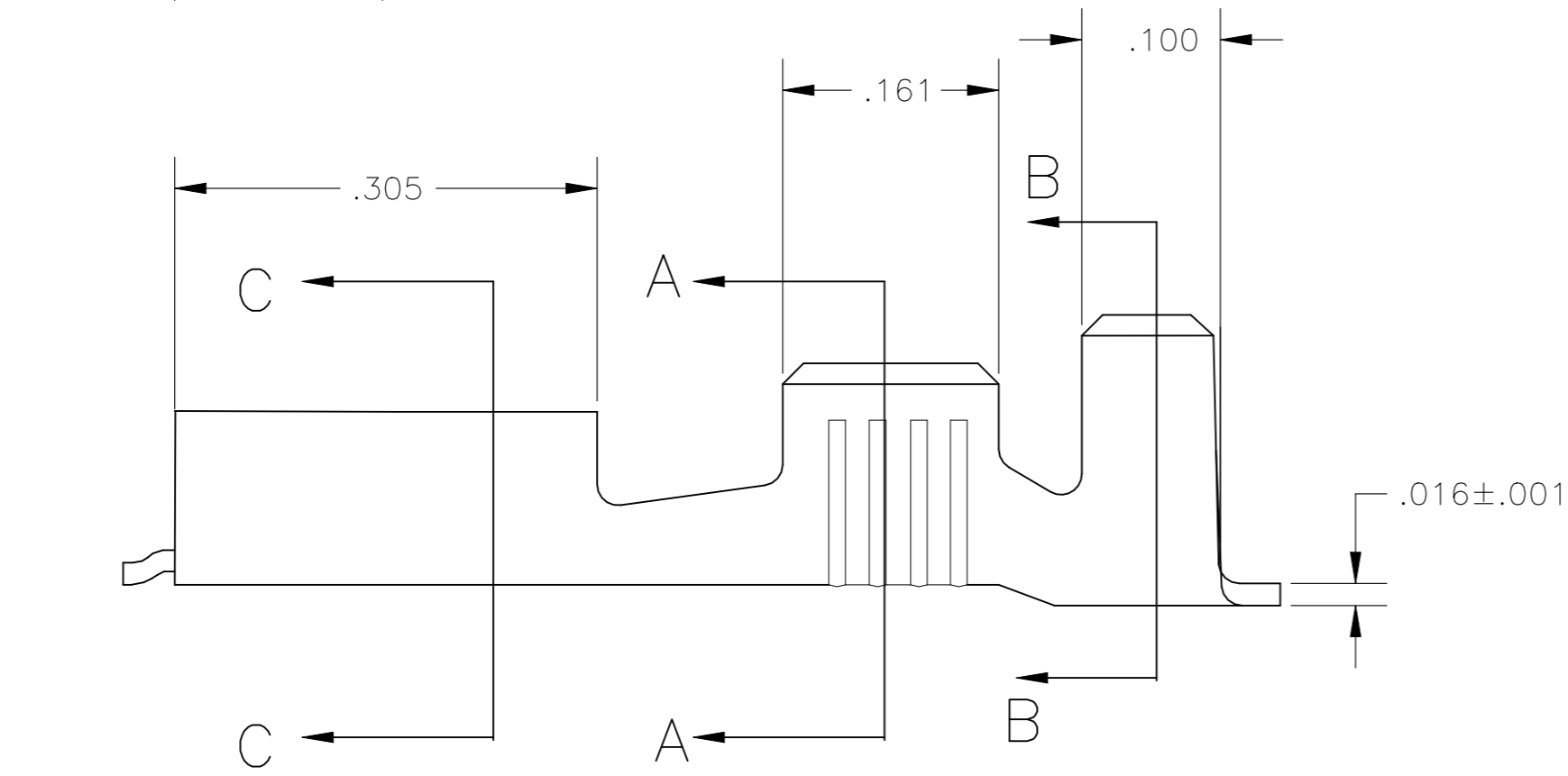
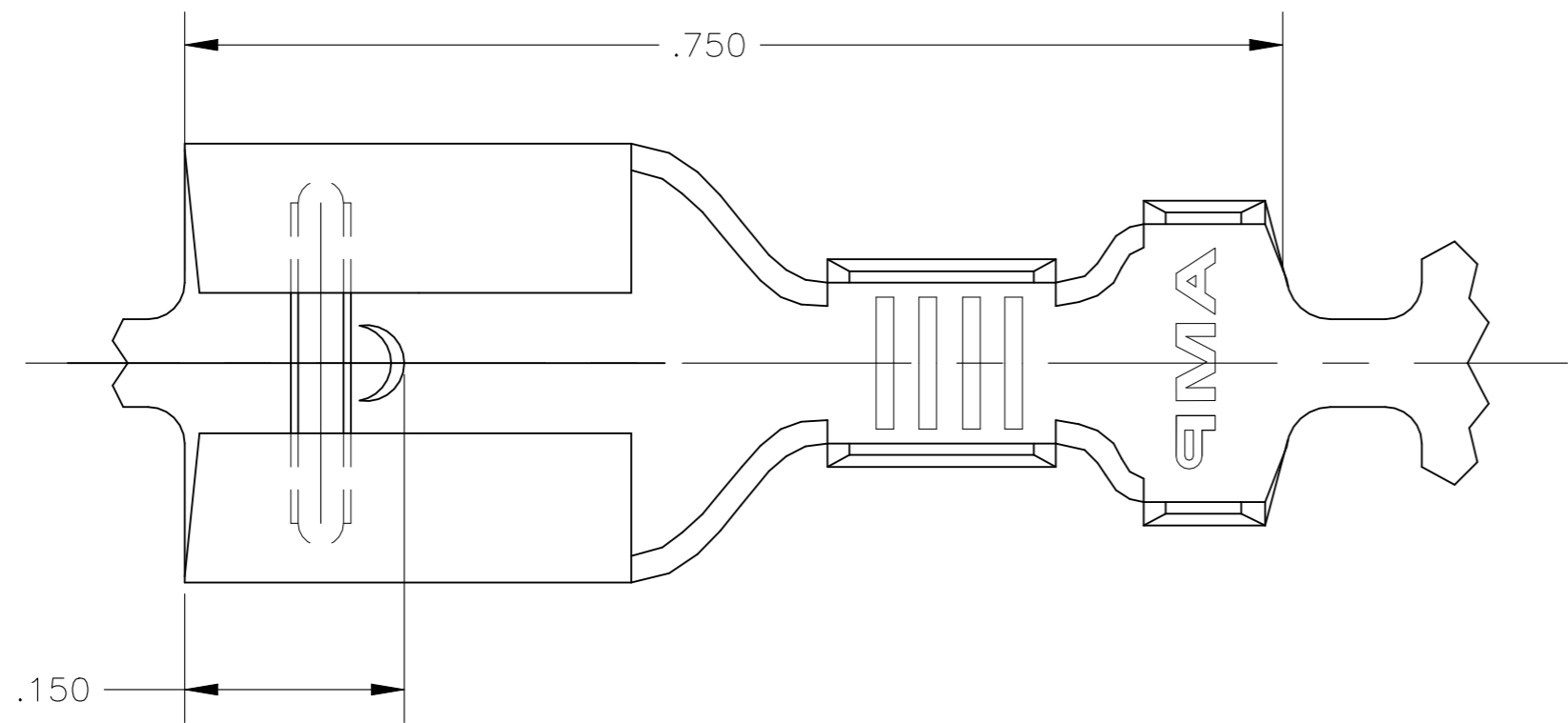
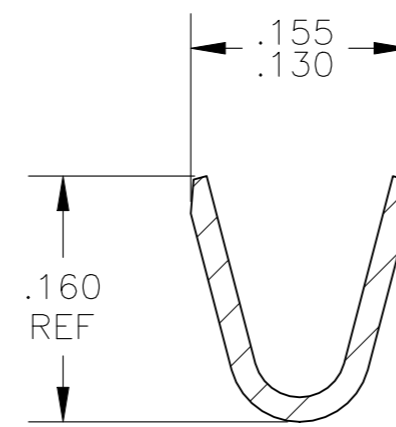


REVISIONS					
P	LTR	DESCRIPTION	DATE	DWN	APVD
M2		REVISED PER ECR-24-209015	08SEP2024	DB	ES

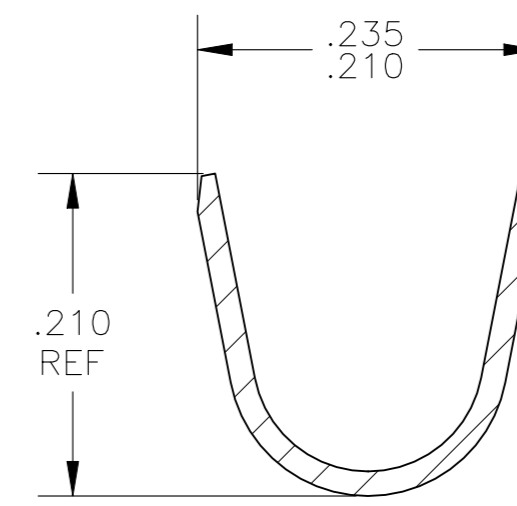
- 1 CONTINUOUS STRIP ON REELS
- 2 ACCEPTS #18-#14 AWG WIRE SIZE
- 3 INSULATION RANGE IS .120-.170 DIA
- 4 MATING TAB THK IS .032±.001.
- 5 REELED WITH INTERLEAVING PAPER.



SECTION C-C



SECTION A-A



SECTION B-B

SUPERSEDED BY 42400-2	TIN	5 42400-9
	TIN	42400-2
	-	42400-1
	FINISH	PART NO

THIS DRAWING IS A CONTROLLED DOCUMENT.		DWN JR RUTH 21JUN02	TE TE Connectivity	
DIMENSIONS: INCHES		CHK P DESANTIS 21JUN02		
TOLERANCES UNLESS OTHERWISE SPECIFIED:		APVD P DESANTIS 21JUN02	NAME RECEPTACLE, FASTON, .250 SERIES	
0 PLC ± -		PRODUCT SPEC	SIZE A2	
1 PLC ± -		APPLICATION SPEC	CAGE CODE 00779	
2 PLC ± -			DRAWING NO C=42400	
3 PLC ± .010			RESTRICTED TO	
4 PLC ± -			SCALE 8:1	
ANGLES ± -			SHEET 1 of 1	
MATERIAL BRASS	FINISH SEE TABLE	WEIGHT 0.000000	REV M2	
		CUSTOMER DRAWING		