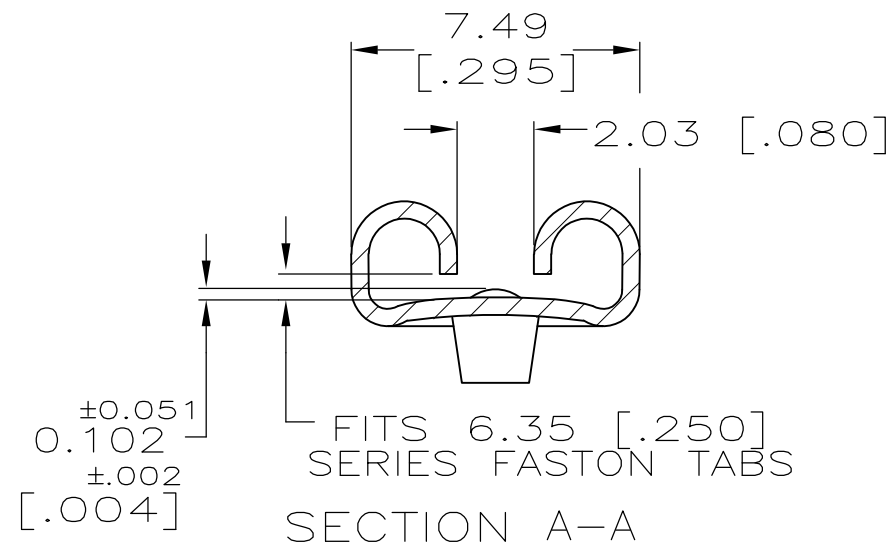
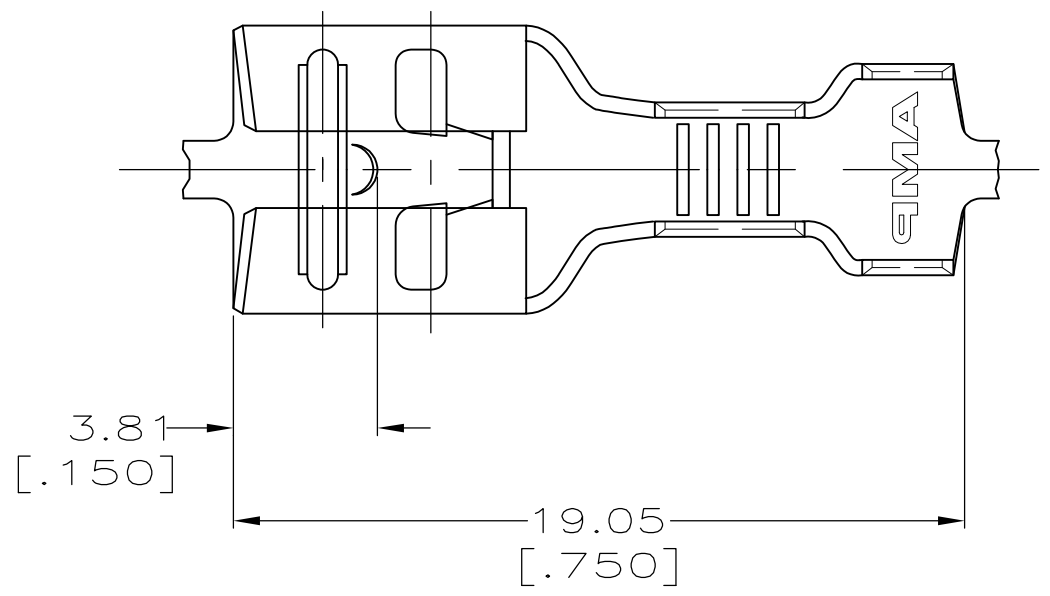
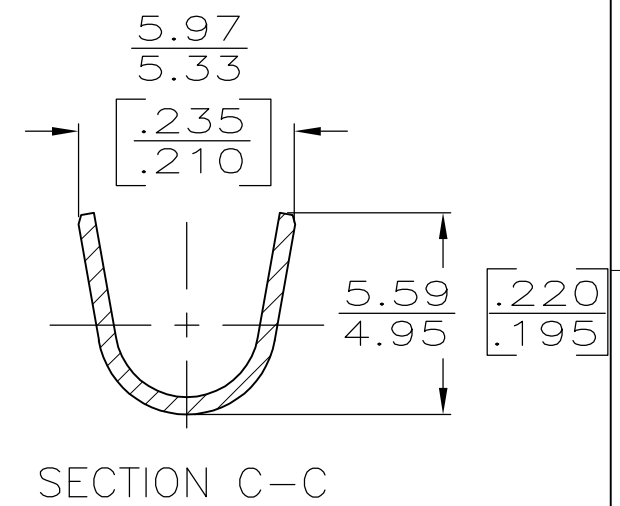
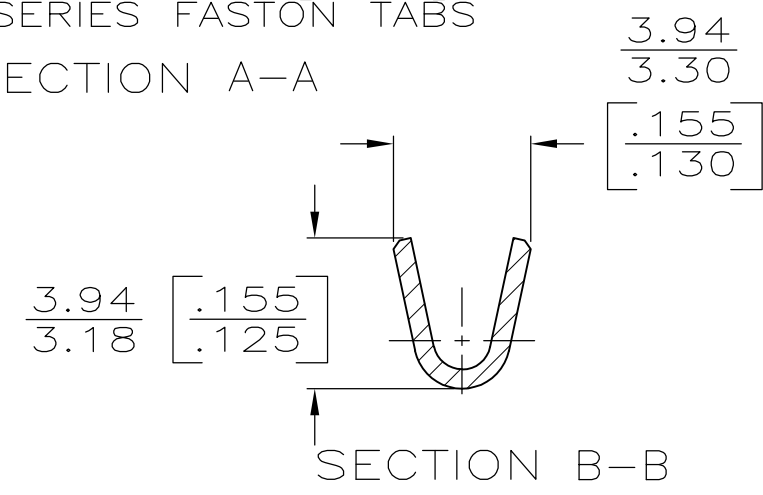
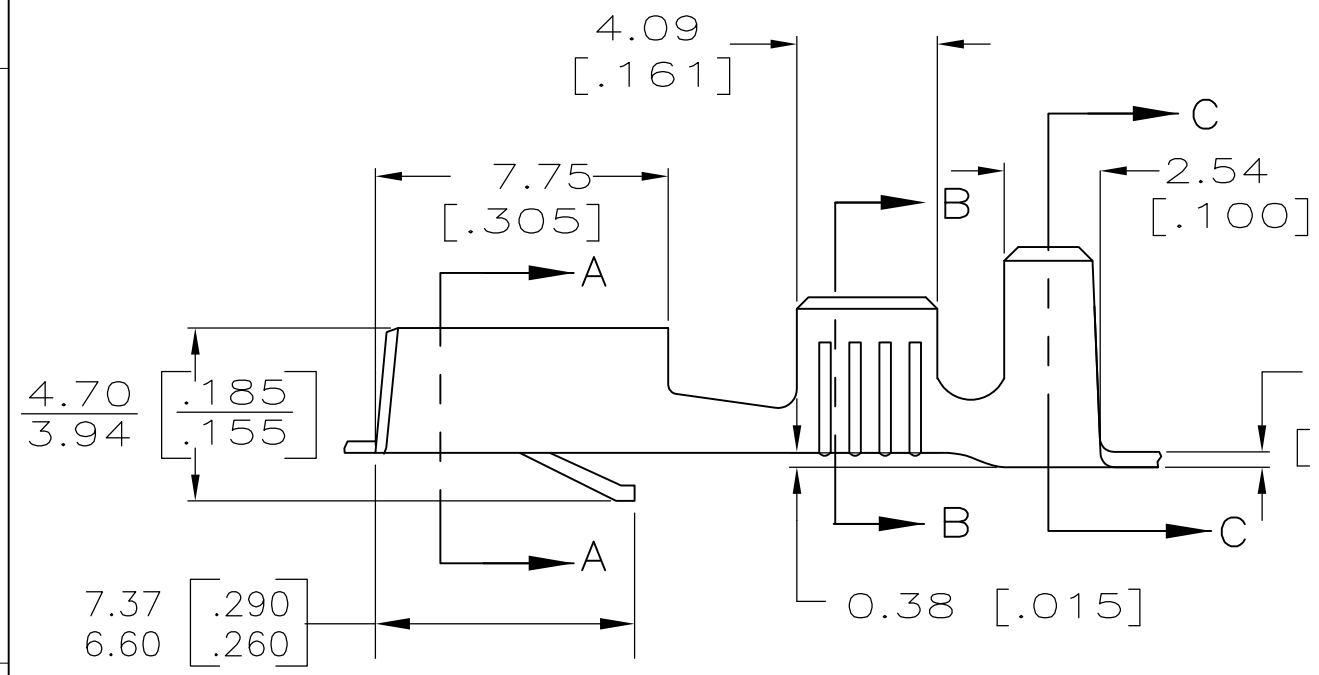


THIS DRAWING IS UNPUBLISHED. RELEASED FOR PUBLICATION
 © COPYRIGHT - By - ALL RIGHTS RESERVED.

LOC	DIST	REVISIONS					
AF	50	P	LTR	DESCRIPTION	DATE	DWN	APVD
		AN		REVISED PER ECR-13-005733	22AUG13	KH	PD



- 1 CONTINUOUS STRIP ON REELS.
- △2 PREPRODUCTION - FASR REQ
- 3 MATING TAB THK TO BE: 0.81±0.025 [.032±.001].
- △4 REDUCED PACKAGE QUANTITY
- △5 PRELIMINARY - NOT FOR PRODUCTION
- △6 OBSOLETE PARTS: OBSOLETE CIS STREAMLINING PER D.RENAUD/D.SINISI



±0.025
0.41 ±.001
[.016]
SUPERSEDED BY 42281-2

SUPERSEDED	2.54 - 4.32 [.100-.170]	0.8-2.0mm ² [18-14]	TIN	BRASS	△4△5	42281-8
			TIN	H03 PHOS BRZ		42281-7
			SILVER	H03 PHOS BRZ	△2△6	42281-6
			-	H03 PHOS BRZ		42281-5
			SILVER	H04 BRASS		42281-3
			TIN	BRASS		42281-2
			-	BRASS		42281-1
			INSULATION RANGE	WIRE SIZE	FINISH	MATERIAL

0	4.57 [.180]	5.59 [.220]	F	2.79 [.110]	1.40 [.055]	[#18]
					1.55 [.061]	[#16]
					1.78 [.070]	[#14]
TYPE	WIDTH	±0.38 [±.015] STRIP LENGTH	TYPE	WIDTH	±0.51 [.002] HEIGHT	WIRE
INSUL BARREL CRIMP	WIRE BARREL CRIMP					

THIS DRAWING IS A CONTROLLED DOCUMENT.

DIMENSIONS: MM [INCHES]

TOLERANCES UNLESS OTHERWISE SPECIFIED:

0 PLC ± -
1 PLC ± -
2 PLC ± 0.25 [.010]
3 PLC ± -
4 PLC ± -
ANGLES ± -

MATERIAL: SEE TABLE

FINISH: SEE TABLE

DWN JR RUTH 9/17/90
 CHK MS FEHER 9/17/90
 APVD RON KUZO 9/17/90
 PRODUCT SPEC
 APPLICATION SPEC
 114-2025
 WEIGHT -
 CUSTOMER DRAWING

STE TE Connectivity

RECEPTACLE, FASTIN-FASTON,
6.35 [.250] SERIES

SIZE: A3 CAGE CODE: 00779 DRAWING NO: C-42281 RESTRICTED TO: -

SCALE: 5:1 SHEET: 1 OF 1 REV: AN