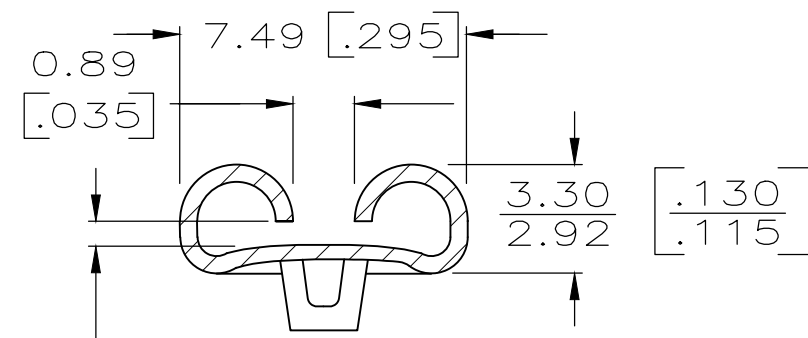
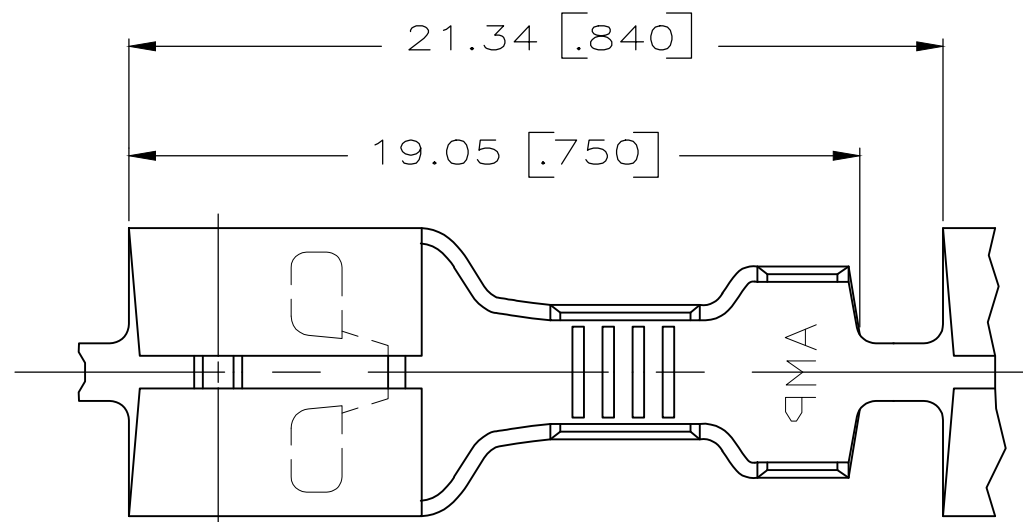


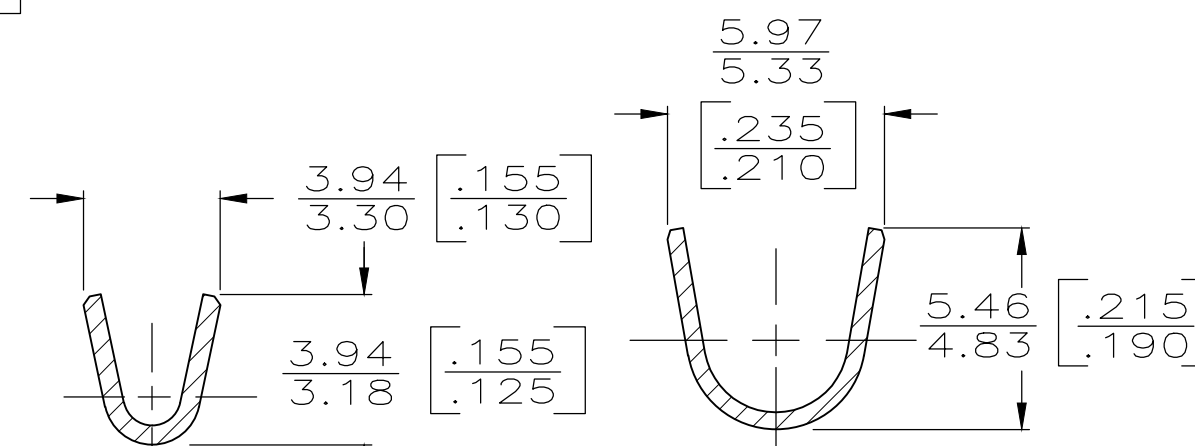
THIS DRAWING IS UNPUBLISHED. RELEASED FOR PUBLICATION
 © COPYRIGHT - By - ALL RIGHTS RESERVED.

REVISIONS					
P	LTR	DESCRIPTION	DATE	DWN	APVD
AP2		REVISED PER ECR-20-005366	21APR2020	SS	DL



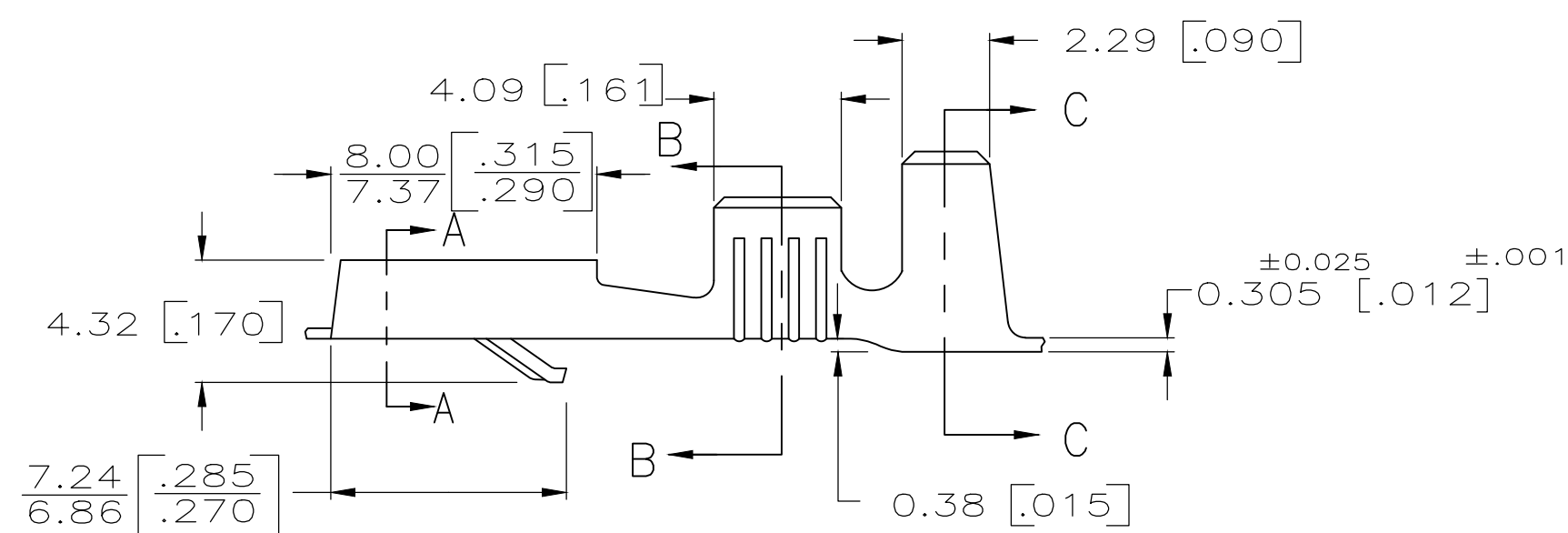
FITS 6.35 [.250] SERIES FASTON TAB

SECTION A-A



SECTION B-B

SECTION C-C



- 1 DIMENSIONS IN BRACKETS ARE IN INCHES.
- 2 CONTINUOUS STRIP ON REELS.
- 3 FOR FOREIGN PRODUCTION ONLY.
- 4 NO RIB IN LOCKING LANCE.
- 5 NO STRESS RELIEVING
- 6 REELED WITH INTERLEAVING PAPER
- 8 OBSOLETE PARTS: OBSOLETE CIS STREAMLINING PER D.RENAUD/D.SINISI
- 9 SAME AS 42100-9 BUT REVERSE REELED.

FINISH	MATERIAL	INSULATION RANGE	WIRE SIZE	TAB THK	PART NO
—	TIN BRASS	2.54 - 4.32 [.100 - .170]	0.8 - 2.0 mm ² [18 - 14]	±0.025 0.81 [.032 ±.001]	1-42100-9
—	TIN BRASS				42100-9
5/3	OBSOLETE TIN BRASS				2-42100-2
5/3	OBSOLETE — BRASS				2-42100-4
3/8	OBSOLETE — TIN BRASS				1-42100-2
3/8	OBSOLETE 1-42238-1 — BRASS				1-42100-1
3/4	— SILVER BRASS				42100-3
4	— TIN BRASS				42100-2
4	— BRASS	42100-1			
LOOSE PIECE	FINISH MATERIAL	INSULATION RANGE	WIRE SIZE	TAB THK	PART NO

THIS DRAWING IS A CONTROLLED DOCUMENT.		DWN 2/5/88 JR RUTH	TE TE Connectivity		
DIMENSIONS: INCHES		CHK 2/5/88 MS FEHER			
TOLERANCES UNLESS OTHERWISE SPECIFIED:		APVD 2/8/88 C MEYERS	NAME RECEPTACLE, FASTON-FASTON, .250 SERIES		
0 PLC ± -		PRODUCT SPEC	SIZE	CAGE CODE	DRAWING NO
1 PLC ± -		APPLICATION SPEC	A2	00779	C-42100
2 PLC ± -		—	WEIGHT	0.000000	RESTRICTED TO
3 PLC ± 0.25 [.010]		—	CUSTOMER DRAWING	SCALE 5:1	SHEET 1 OF 1
4 PLC ± -		—	REVISION	AP2	REV
ANGLES ± -		—			
MATERIAL SEE ABOVE		FINISH SEE ABOVE			