

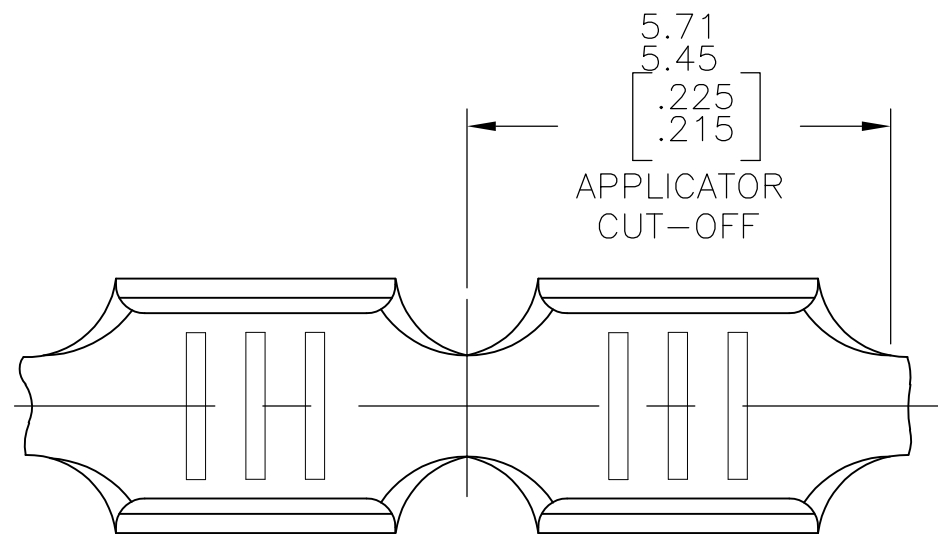
THIS DRAWING IS UNPUBLISHED.

RELEASED FOR PUBLICATION

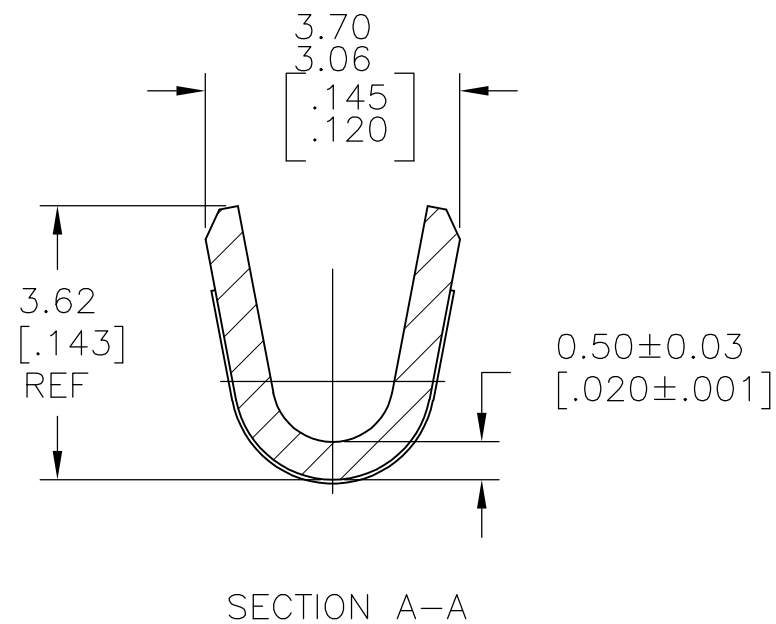
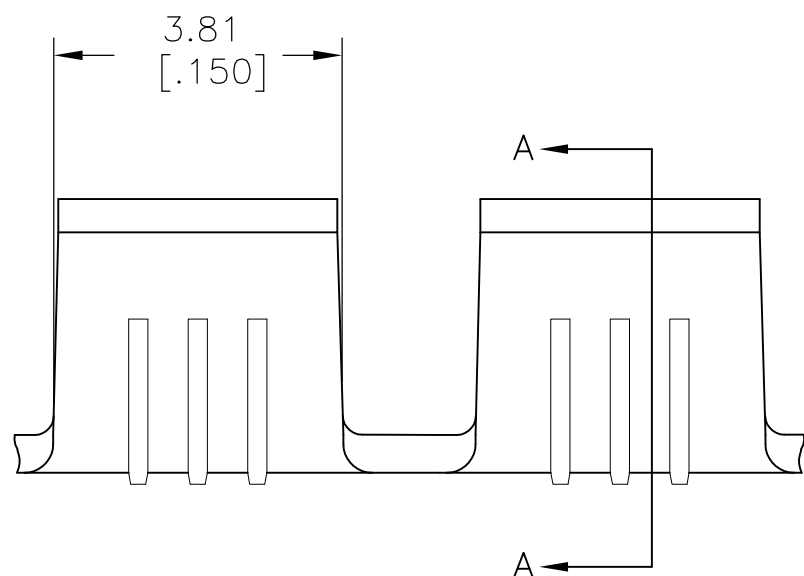
© COPYRIGHT - By -

ALL RIGHTS RESERVED.

LOC	DIST	REVISIONS			
P	LTR	DESCRIPTION	DATE	DWN	APVD
AF	50	J2	REVISED PER ECR-11-006644	05APR11	HMR GJ



- 1 CONTINUOUS STRIP ON REELS
- 2 WIRE RANGE: 0.51-1.62 mm<sup>2</sup>[1000-3200 CMA]
- 3 CRIMP WIDTH: 2.79[.110]F TYPE.  
CRIMP HEIGHT IN INCHES (+/- .002)=(TOTAL CMA OF WIRES + 9267)/183333.



OBSOLETE	<del>41974-1</del>
	41974
	PART NO

THIS DRAWING IS A CONTROLLED DOCUMENT.		DWN RAGHAVENDRA 02JUL07	<b>STE</b> TE Connectivity														
DIMENSIONS: mm [INCHES]		CHK G.D.PORTA 02JUL07															
TOLERANCES UNLESS OTHERWISE SPECIFIED:		APVD G.D.PORTA 02JUL07	NAME														
<table border="0"> <tr><td>0 PLC</td><td>± -</td></tr> <tr><td>1 PLC</td><td>± -</td></tr> <tr><td>2 PLC</td><td>± 0.25[.010]</td></tr> <tr><td>3 PLC</td><td>± -</td></tr> <tr><td>4 PLC</td><td>± -</td></tr> <tr><td>ANGLES</td><td>± -</td></tr> </table>		0 PLC	± -	1 PLC	± -	2 PLC	± 0.25[.010]	3 PLC	± -	4 PLC	± -	ANGLES	± -	PRODUCT SPEC -	SPLICE		
0 PLC	± -																
1 PLC	± -																
2 PLC	± 0.25[.010]																
3 PLC	± -																
4 PLC	± -																
ANGLES	± -																
MATERIAL BRASS		FINISH NONE	APPLICATION SPEC 114-2088	SIZE A3	CAGE CODE 00779	DRAWING NO C-41974	RESTRICTED TO -										
CUSTOMER DRAWING			WEIGHT -	SCALE 10:1	SHEET 1 OF 1	REV J2											