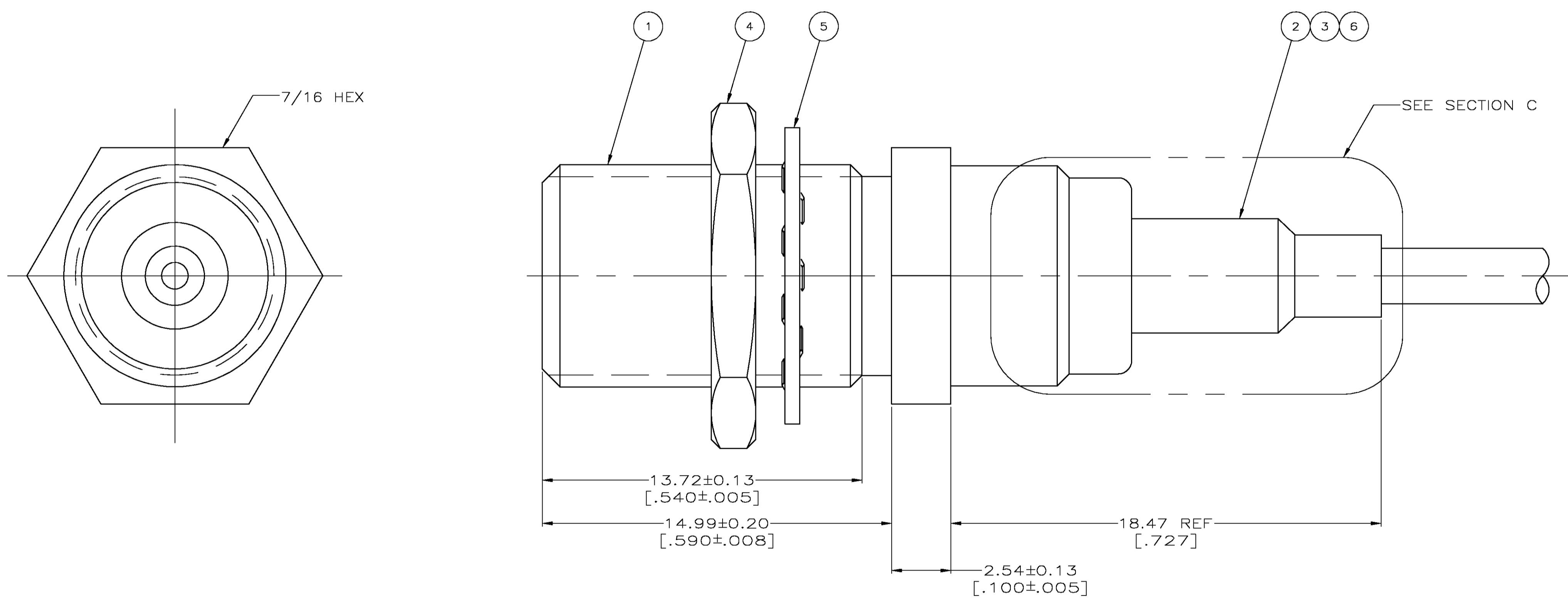


RECOMMENDED STRIP LENGTHS



- 1. PARTS PACKAGED UNASSEMBLED
- ⚠ USE WITH HAND TOOL 354940-1
- ⚠ USE 220210-1 DIE SET FOR CONTACT ONLY, USE CERTI-CRIMP HAND TOOL 220009-1 FOR FERRULE.
- ⚠ RG-179/U CABLE
- ⚠ 75Ω, Ø.086, CONFORMABLE CABLE.
- ⚠ RD-179 (DOUBLE BRAID).
- ⚠ USE WITH HAND TOOL 69710 OR PNEUMATIC TOOLS 69365 OR 69365-3

OBSOLETE	VIEW A	⚠	⚠	⚠	227194-1	1-329492-1	1-330249-1	2-329049-9	887011-5	887007-1	415712-3
OBSOLETE	VIEW B	⚠	⚠	⚠	-	1-329492-1	1-330249-1	415686-3	887011-5	887007-1	415712-2
	VIEW A	⚠	⚠	⚠	220210-1	1-329492-1	1-330249-1	9-328666-0	9-887011-0	887007-1	415712-1
	STRIP LENGTHS	FOR USE WITH CABLE	DIE SET	Ⓜ TUBING QTY=1	Ⓜ LOCKWASHER QTY=1	Ⓜ JAM NUT QTY=1	Ⓜ FERRULE QTY=1	Ⓜ CONTACT QTY=1	Ⓜ JACK ASSY QTY=1		PART NUMBER

THIS DRAWING IS A CONTROLLED DOCUMENT.

DIMENSIONS: INCHES	TOLERANCES UNLESS OTHERWISE SPECIFIED:	DIN J. LIPPERT 1-9-97	Tyco Electronics Corporation Middletown, PA 17057
0 PLC ± -	1 PLC ± -	CIK G. MICHAEL 1-9-97	
2 PLC ± -	3 PLC ± 0.25 [.010]	APVD G. MICHAEL 1-9-97	NAME: JACK, BULKHEAD, REAR MT, F SERIES
4 PLC ± -	ANGLES ± -	PRODUCT SPEC	
MATERIAL	FINISH	APPLICATION SPEC	RESTRICTED TO
		WEIGHT	A1 00779 C=415712
CUSTOMER DRAWING		SCALE 8:1	SHEET 1 OF 1 REV C