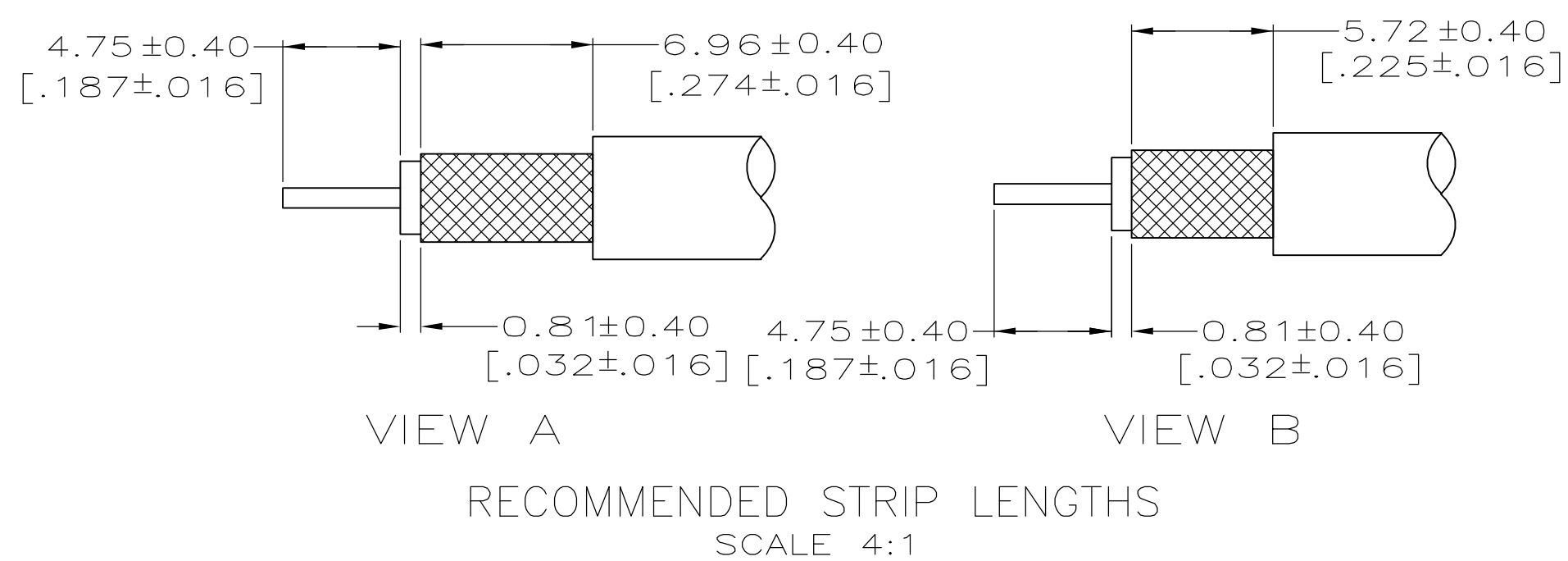
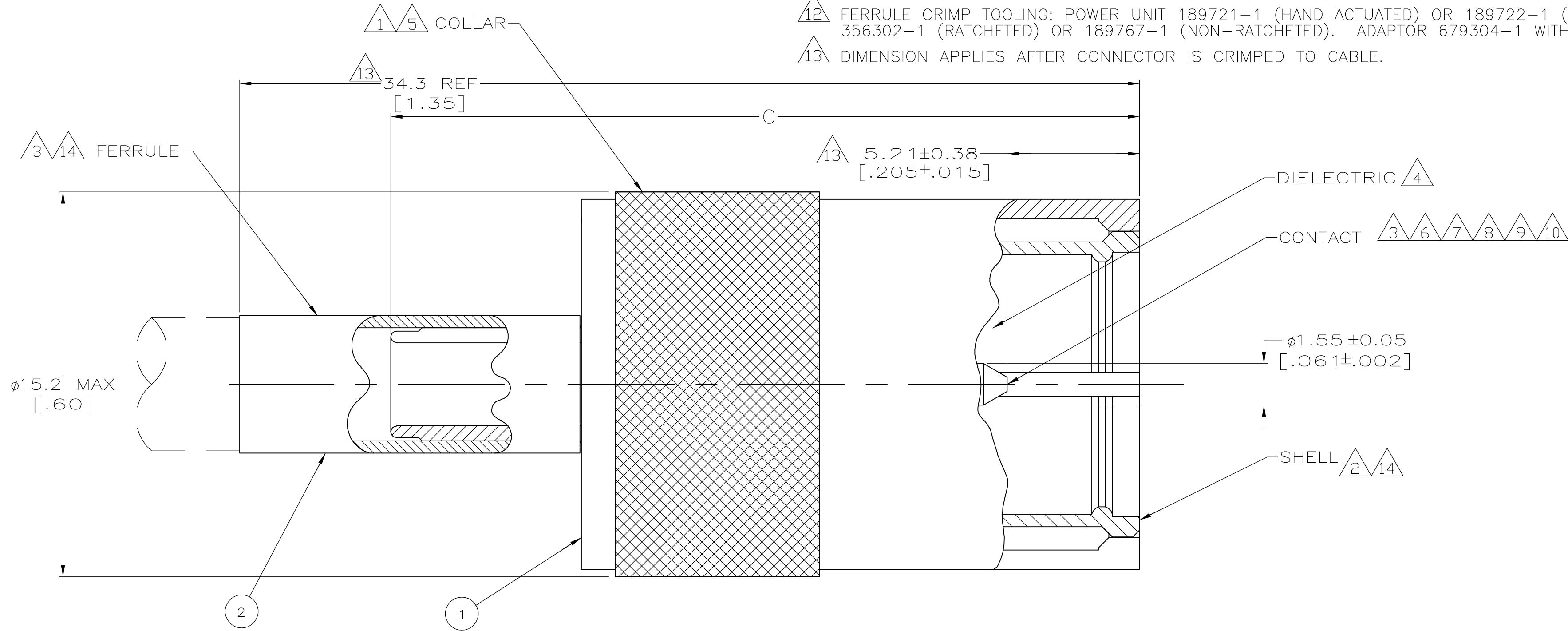


THIS DRAWING IS UNPUBLISHED. RELEASED FOR PUBLICATION  
 © COPYRIGHT BY TYCO ELECTRONICS CORPORATION. ALL RIGHTS RESERVED.

LOC	DIST	REVISIONS					
		P	LTR	DESCRIPTION	DATE	DWN	APVD
AJ	16		K	OBSOLETE: -3 PER ECR 05-008388	01MAY03	JRB	LLV

- 14 BRIGHT TIN PER ASTM-B-545, 2.54
- 15 FERRULE CRIMP TOOLING: POWER UNIT 189721-1 (HAND ACTUATED) OR 189722-1 (FOOT ACTUATED). TOOL HOLDER 356302-1 (RATCHETED) OR 189767-1 (NON-RATCHETED). ADAPTOR 679304-1 WITH DIE SET 58651-1.
- 16 CRIMP TOOLING: AMP-O-LECTRIC 565435-5 WITH APPLICATOR 466689-2 (PAD LTR B)
- 17 CRIMP TOOLING: AMP-O-LECTRIC 565435-5 WITH APPLICATOR 466689-2 (PAD LTR C)
- 18 OBSOLETE PART.

- 1 BRASS PER QQ-B-626.
- 2 ZINC DIE CAST PER ASTM B 86.
- 3 BRASS PER ASTM-B-36 OR COPPER PER ASTM-B-188.
- 4 POLYMETHYLPENTENE GENERAL PURPOSE.
- 5 NICKEL PER QQ-N-290, 1.27µm [.000050] MIN THICK.
- 6 TIN PLATE PER MIL-T-10727B; TYPE 2, 2.54µm [.000100] MIN THICK.
- 7 CRIMP TOOLING: AMP-O-LECTRIC 565435-5 WITH APPLICATOR 466689-2. (PAD LTR A)
- 8 CRIMP TOOLING: AMP-O-LECTRIC 565435-5 WITH APPLICATOR 567386-2.
- 9 STAMPED & FORMED CONTACT, P/N 414942-1, ORDERED SEPARATELY.
- 10 STAMPED & FORMED CONTACT, P/N 414942-2, ORDERED SEPARATELY.
- 11 FERRULE CRIMP TOOLING: POWER UNIT 189721-1 (HAND ACTUATED) OR 189722-1 (FOOT ACTUATED). TOOL HOLDER 356302-1 (RATCHETED) OR 189767-1 (NON-RATCHETED). ADAPTOR 679304-1 WITH DIE SET 220189-1.
- 12 FERRULE CRIMP TOOLING: POWER UNIT 189721-1 (HAND ACTUATED) OR 189722-1 (FOOT ACTUATED). TOOL HOLDER 356302-1 (RATCHETED) OR 189767-1 (NON-RATCHETED). ADAPTOR 679304-1 WITH DIE SET 318450-2.
- 13 DIMENSION APPLIES AFTER CONNECTOR IS CRIMPED TO CABLE.



Callout	Dimension	View	Cable Size	Ferrule Qty	Plug Assy Qty	Part Number
18, 17, 15, 9	27.94 [1.100]	A	21 AWG SOLID	1	1	415011-3
16, 15, 9	26.01 [1.024]	B	22 AWG STRANDED	1	1	415011-2
12, 10, 8	26.01 [1.024]	B	RG-174/U	1	1	415011-2
11, 9, 7	27.94 [1.100]	A	RG-58/U	1	1	415011-1
C	VIEW	2	CABLE SIZE	1	FERRULE QTY=1	PLUG ASSY QTY=1

THIS DRAWING IS A CONTROLLED DOCUMENT.

DWN: J. MARTINELLI 25AUG93  
 CHK: BILL MOYER 11NOV94  
 APVD: -

**tyco Electronics** Tyco Electronics Corporation  
 Harrisburg, PA 17105-3608

PRODUCT SPEC: 108-1584  
 APPLICATION SPEC: 114-13025

SIZE: A2 CAGE CODE: 00779 DRAWING NO: 415011  
 RESTRICTED TO: -

MATERIAL: 1, 2, 3, 4 FINISH: 6, 5, 14

CUSTOMER DRAWING SCALE: 8:1 SHEET: 1 OF 1 REV: K