

4

3

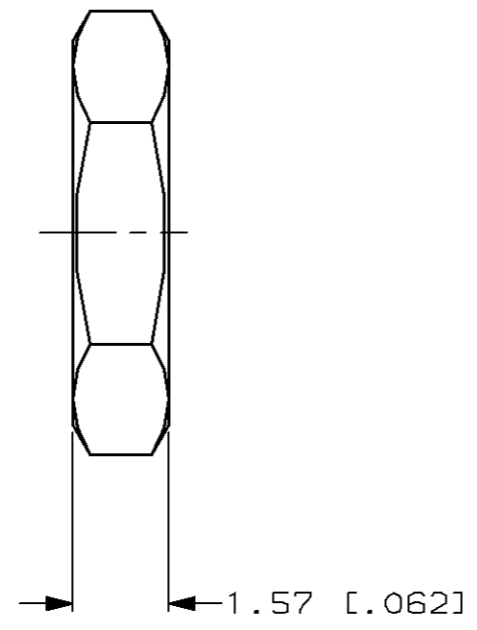
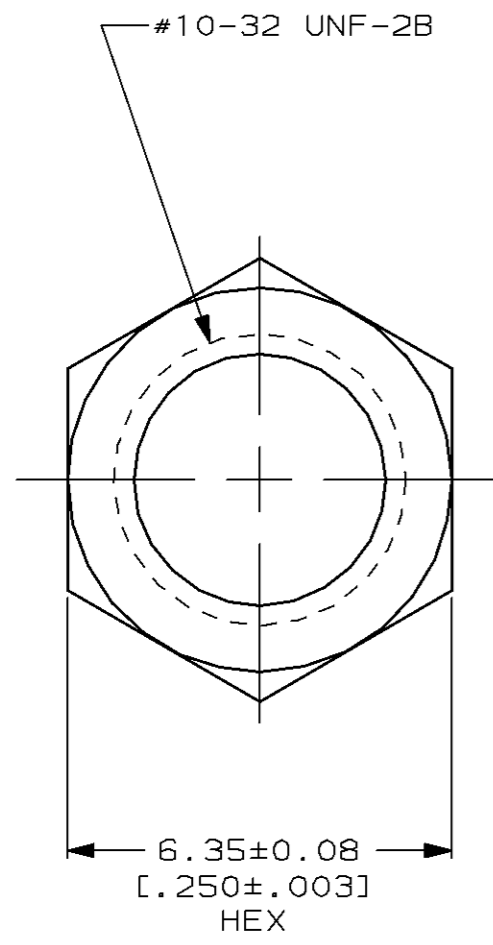
2

1

THIS DRAWING IS UNPUBLISHED. RELEASED FOR PUBLICATION, 19 .

© COPYRIGHT 19 BY AMP INCORPORATED. ALL RIGHTS RESERVED.

| LOC | DIST | REVISIONS                                  |        |     |      |
|-----|------|--|--------|-----|------|
| P   | LTR  | DESCRIPTION                                | DATE   | DWN | APVD |
|     | 0    | RELEASED CUSTOMER DRAWING PER 0503-0324-97 | 6-3-97 | JG  | SB   |



- ① MATERIAL: BRASS PER (QQ-B-626)
- ② 2.54 μm [0.000100] MIN THK NICKEL PLATE OVER  
1.27 μm [0.000050] MIN THK COPPER PLATE
- ③ 0.76 μm [0.000030] MIN THK GOLD PLATE OVER  
2.54 μm [0.000100] MIN THK NICKEL PLATE OVER  
1.27 μm [0.000050] MIN THK COPPER PLATE

|        |             |
|--------|-------------|
| ③      | 414969-3    |
| ②      | 414969-2    |
| FINISH | PART NUMBER |

|  |              |                                  |   |
|--|--------------|----------------------------------|---|
| THIS DRAWING IS A CONTROLLED DOCUMENT.   |              | DWN<br>J.L.GROFT<br>6-3-97       | AMP Incorporated<br>Harrisburg, PA 17105-3608 |
| DIMENSIONS:<br>mm [INCHES]   |              | CHK<br>S.W.BURKHOLDER<br>6-3-97  |   |
| TOLERANCES UNLESS OTHERWISE SPECIFIED:   |              | APVD<br>S.W.BURKHOLDER<br>6-3-97 |   |
| 0 PLC ±-<br>1 PLC ±-<br>2 PLC ±0.13 [0.005]<br>3 PLC ±-<br>4 PLC ±-<br>ANGLES ±- |              | NAME                             |   |
| MATERIAL<br>①  | FINISH<br>②③ | PRODUCT SPEC<br>-                | JAM NUT                                       |
|  |              | APPLICATION SPEC<br>-            | SIZE<br>A3                                    |
|  |              | WEIGHT<br>-                      | CAGE CODE<br>00779                            |
|  |              | CUSTOMER DRAWING                 | DRAWING NO<br>C-414969                        |
|  |              |                                  | SCALE<br>8:1                                  |
|  |              |                                  | SHEET<br>1 OF 1                               |
|  |              |                                  | REV<br>0                                      |