

4

3

2

1

THIS DRAWING IS UNPUBLISHED.

RELEASED FOR PUBLICATION

-- --

ALL RIGHTS RESERVED.

© COPYRIGHT - By -

LOC

DIST

REVISIONS

AF

50

P

LTR

DESCRIPTION

DATE

DWN

APVD

AH

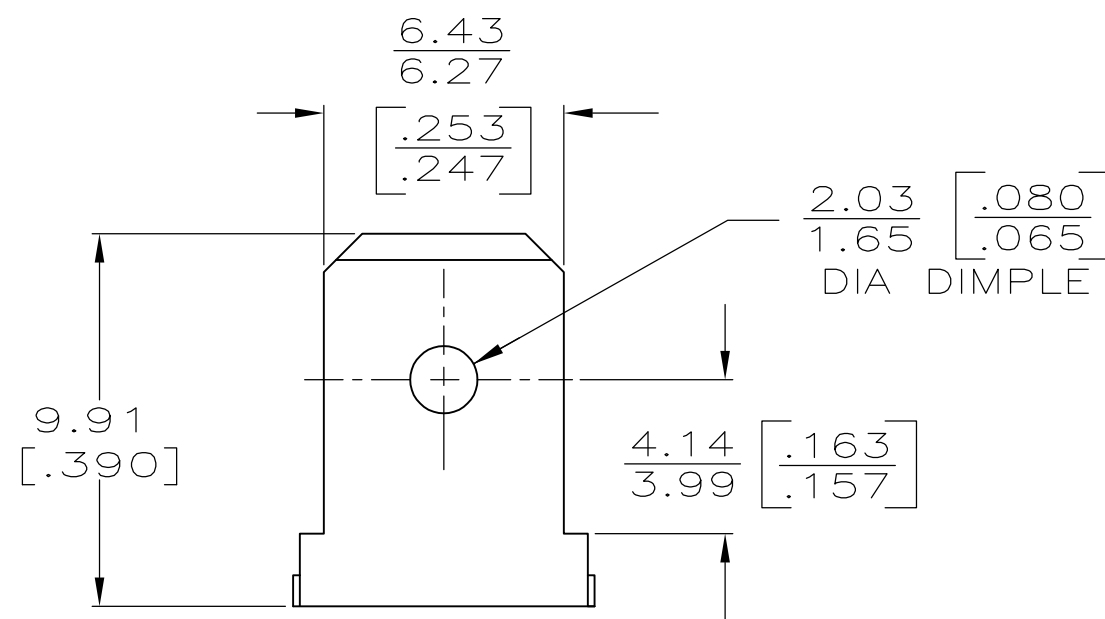
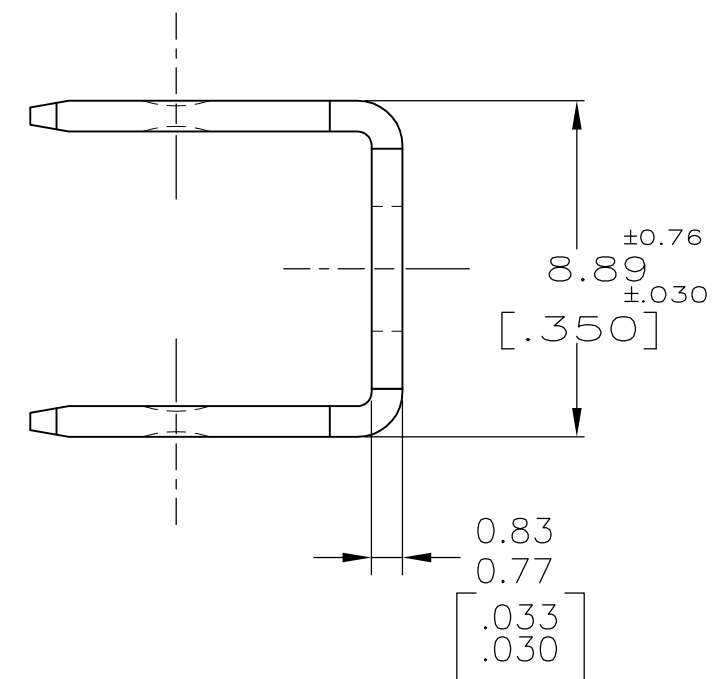
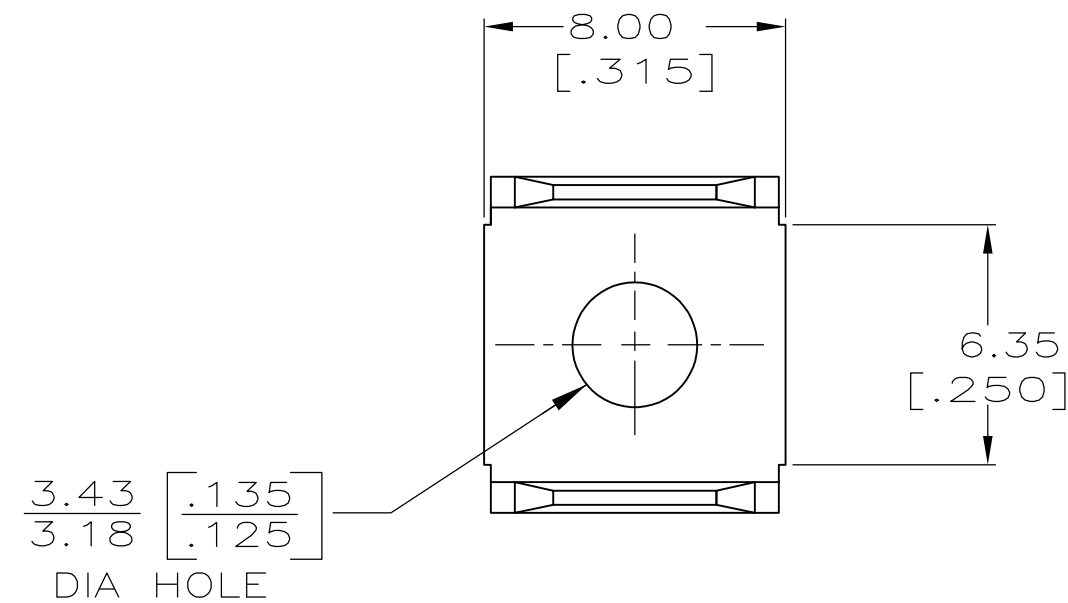
REVISED PER ECR-13-011489

09DEC2013

KH

PD

1 SUPPLIED IN LOOSE PIECE.



41480

PART NO

THIS DRAWING IS A CONTROLLED DOCUMENT.

DWN JR RUTH 12/2/91

CHK MS FEHER 12/2/91

APVD MEYERS 12/2/91

NAME

PRODUCT SPEC

APPLICATION SPEC

WEIGHT -

RESTRICTED TO

SIZE

CAGE CODE

DRAWING NO

CUSTOMER DRAWING

SCALE

SHEET

1 OF 1

REV AH

TE Connectivity

NAME

TAB, FASTON, 6.35 [.250] SERIES

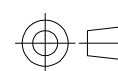
RESTRICTED TO

A3 00779 C-41480

SCALE 5:1

SHEET 1 OF 1

REV AH

DIMENSIONS:
mm [INCHES]TOLERANCES UNLESS
OTHERWISE SPECIFIED:

0 PLC	± -
1 PLC	± -
2 PLC	± -
3 PLC	± 0.38 [.015]
4 PLC	± -
ANGLES	± -

MATERIAL

BRASS

FINISH

TIN