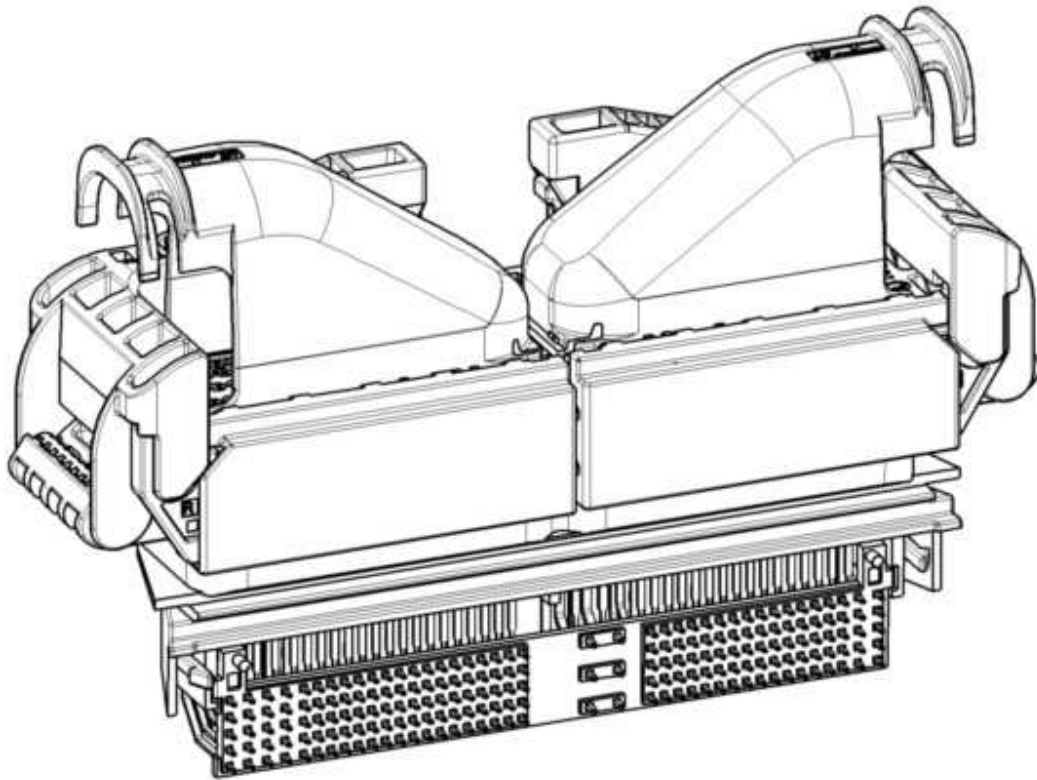


**91 AND 105 POSITION CONNECTORS  
FOR 196 WAYS HEADER.**

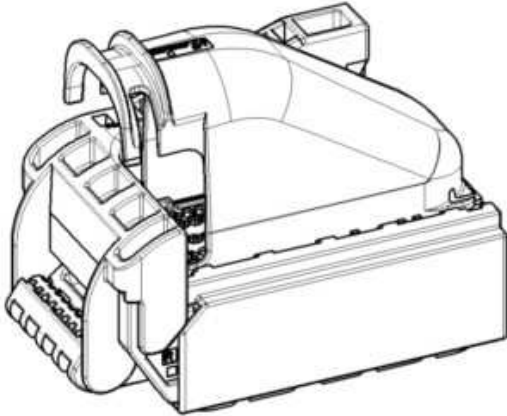


A	RELEASE	YH MA/ HG CHO	11-MAR-2011
<b>REV.</b>	<b>DESCRIPTION</b>	<b>DR/CHK</b>	<b>DATE</b>

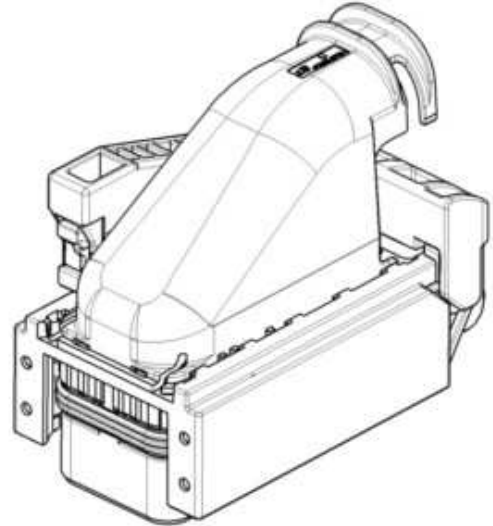


## **Index**

<b>A. OBJECT</b>	<b>p.3</b>
<b>B. SCOPE</b>	<b>p.3</b>
<b>C. PACKAGING OF THE CONNECTORS</b>	<b>p.4</b>
<b>D. CONTACTS LOADING</b>	<b>p.6</b>
<b>E. SECONDARY LOCK DEVICE CLOSING</b>	<b>p.8</b>
<b>F. COVER ASSEMBLY</b>	<b>p.9</b>
<b>G. CONTACTS EXTRACTION</b>	<b>p.10</b>
<b>H. MATING CONNECTORS</b>	<b>p.12</b>
<b>I. MAX OVERALL DIMENSIONS</b>	<b>p.15</b>



**91 WAYS**



**105 WAYS**

## **A-OBJECT**

91 positions connector P/N X-2005465-2 and 105 positions connector P/N X-2005475-2

## **B-SCOPE**

To provide useful information for the correct assembly of the harness and correct assembly of the connectors.

## C-PACKAGING OF THE CONNECTORS

Connectors will be supplied into carton box. This package is applicable for either main bodies 91 and 105 ways (picture 1-A) placed by layer with interposed carton spacer. The other components, covers 91 or 105 ways (picture 1-B) and secondary lock (91 ways short, 91 ways long and 105 ways) (picture 1-C), to complete the assembly, will be put into bags on main bodies package.

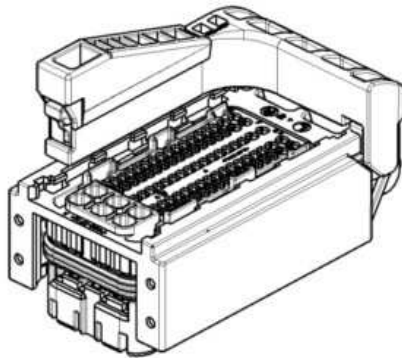
The female contacts that can be used for this application are listed on Table 1 and are delivered on carton reels.

Detailed instruction for crimping contacts are given in application specification:

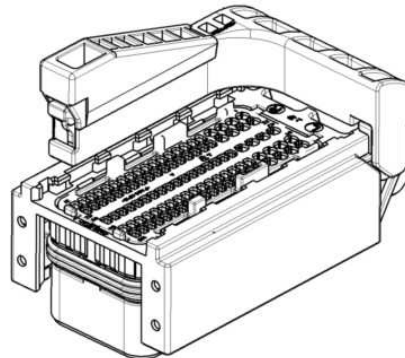
**n.114-18464 for MCON 1.2 clean body contacts;**

**n.114-18387 for MCP 2.8K contacts.**

**91 ways main body**



**105 ways main body**



**Fig. 1-A**

<b>Table 1 – Contacts</b>			
<b>Name</b>	<b>Crimp section(mm<sup>2</sup>)</b>	<b>Insulation section(mm)</b>	<b>Part number</b>
<b>MCON 1.2 clean body</b>	<b>0.3 ~ 0.35</b>	<b>ø1.4~ø1.9</b>	<b>1534594-1</b>
	<b>0.5 ~ 0.75</b>		<b>1670144-1</b>
	<b>1.0 ~1.5</b>	<b>ø1.9~ø2.4</b>	<b>1452503-1</b>
<b>MCP 2.8K</b>	<b>0.5 ~ 1.0</b>	<b>ø1.4~ø2.1</b>	<b>1241394-1</b>
	<b>&gt;1.0 ~ 2.5</b>	<b>ø2.2~ø3.0</b>	<b>1241396-1</b>

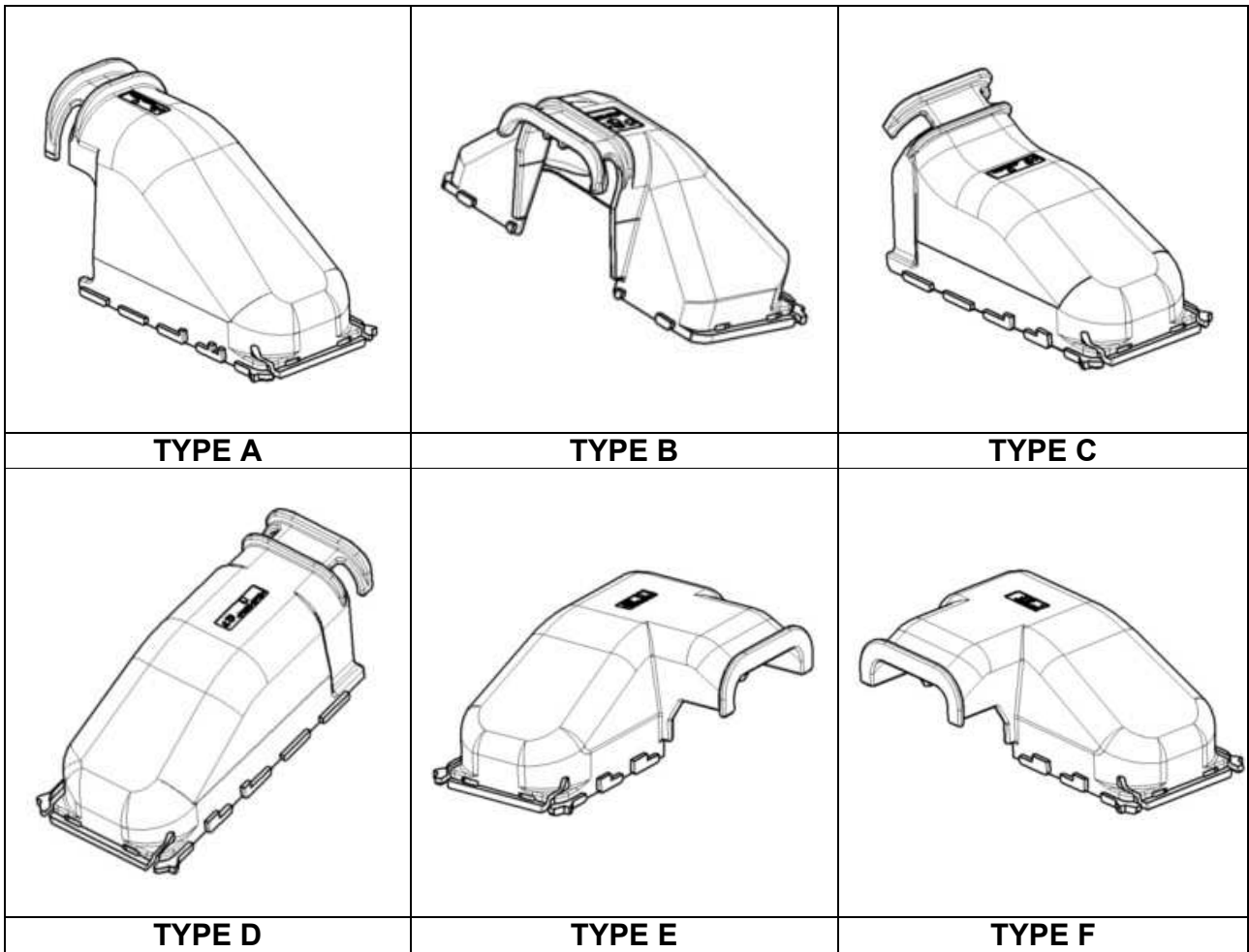


Fig. 1-B

**Secondary locks**



**S.L. 105 ways**



**S.L. 91ways short**



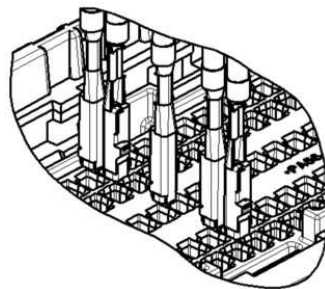
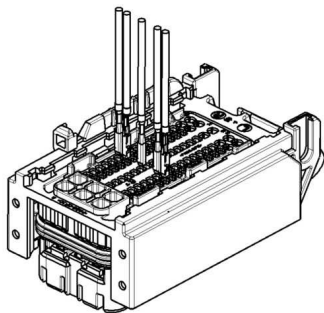
**S.L. 91 ways long**

Fig. 1-C

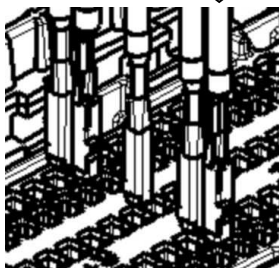
## D-CONTACTS LOADING

Insert the contacts into the housing cavities (pictures 2 - A) until the housing cavity lances are released. Warning, MCON 1.2(0.3-0,75 mm<sup>2</sup>) and MCON 1.2(1,0-1,5 mm<sup>2</sup>) contact insertion position into housing cavities changes between rows (pictures 2 – B).

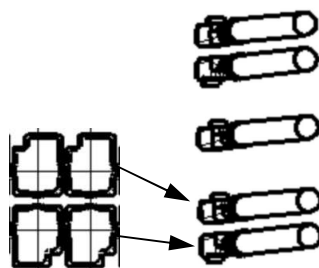
All cavities where contacts are not used, must be closed with P/N 1-1452424-1, 1-1452424-2 and 828922-1 (picture 3-A).



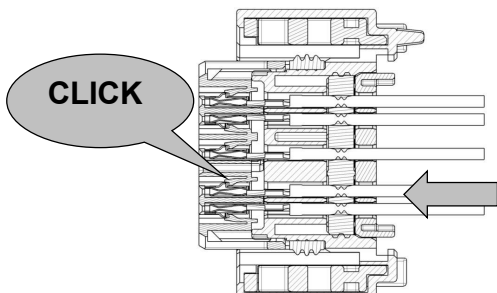
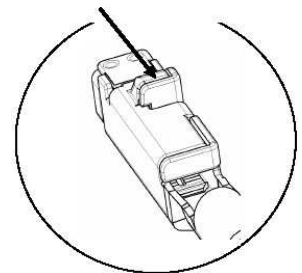
**INSERT TERMINALS STRAIGHT IN CAVITIES**



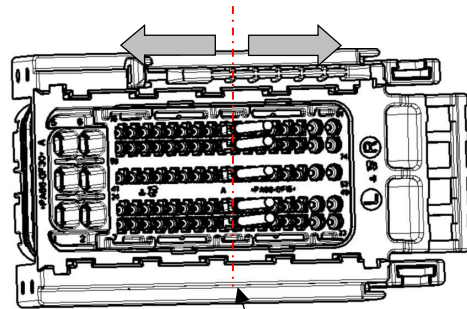
**LOWER TERMINAL ROW ORIENTED 180° FROM UPPER TERMINAL ROW**



**ORIENTATION FEATURE ON THE TERMINAL.**



**INSERT TERMINAL UNTIL AN AUDIBLE "CLICK" IS HEARD OR FELT**



**MIDDLE OF THE PART**

**INSERT THE 1,2mm CONTACTS BEGINNING FROM INSIDE (MIDDLE OF THE PART) OUTWARD. INSERT CONTACTS STRAIGHT IN CAVITIES!**

**Fig. 2-A**



# Instruction Sheet

411-61009

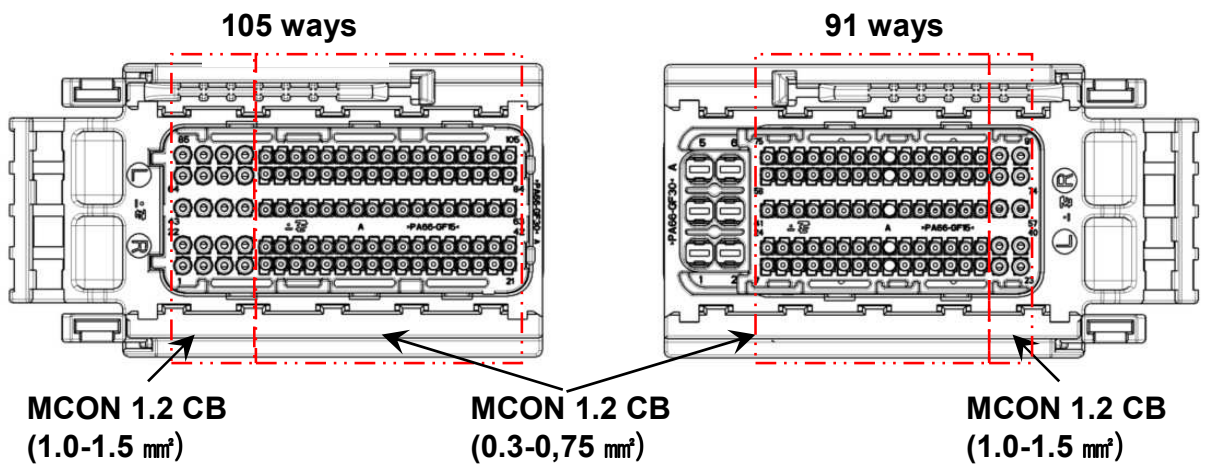
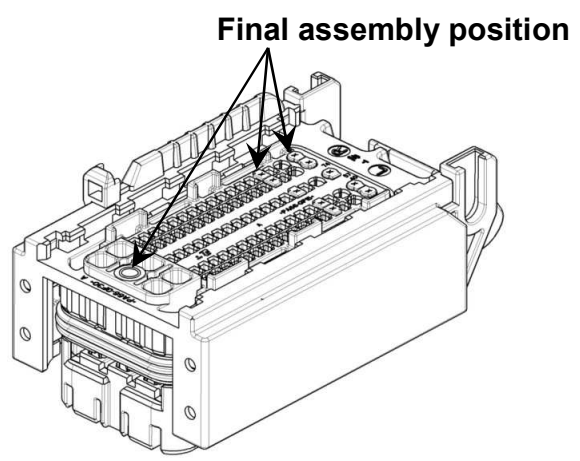
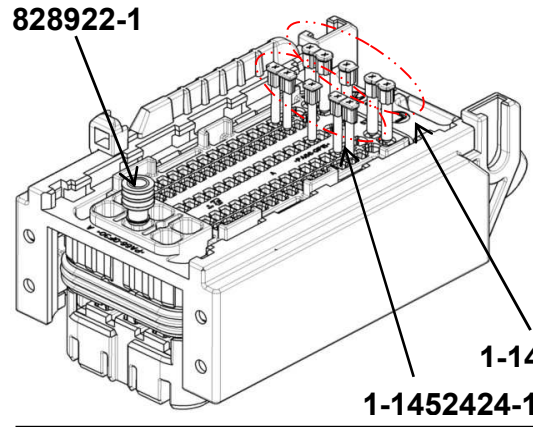
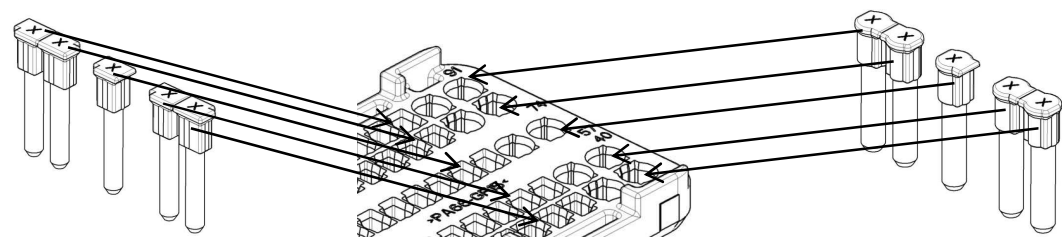


Fig. 2-B

**Warning to the cavity position**



**Warning : blind plug upper plane  
P/N 828922-1 aligned with connector top plane.**



**PLEASE REMIND THE ORIENTATION OF THE BLIND PLUGS!  
POLARISATION AS SHOWN FOR OUTSIDE AND INSIDE ROWS.**

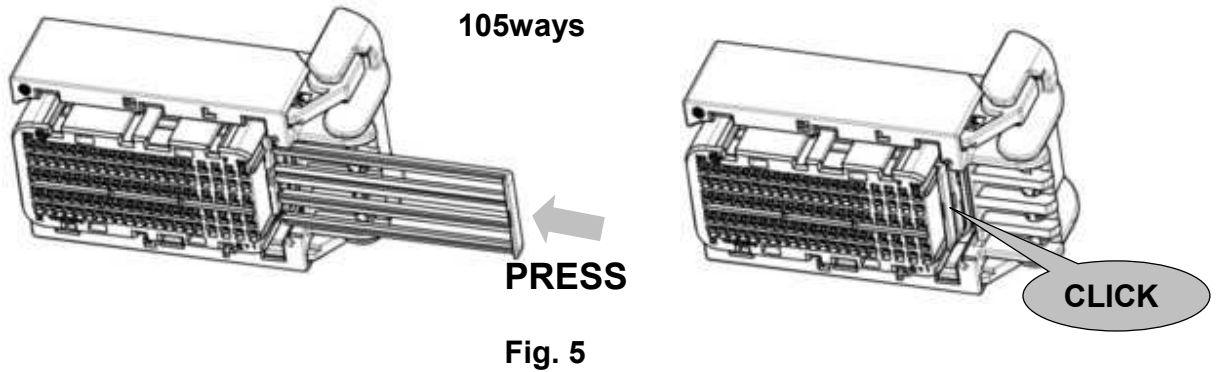
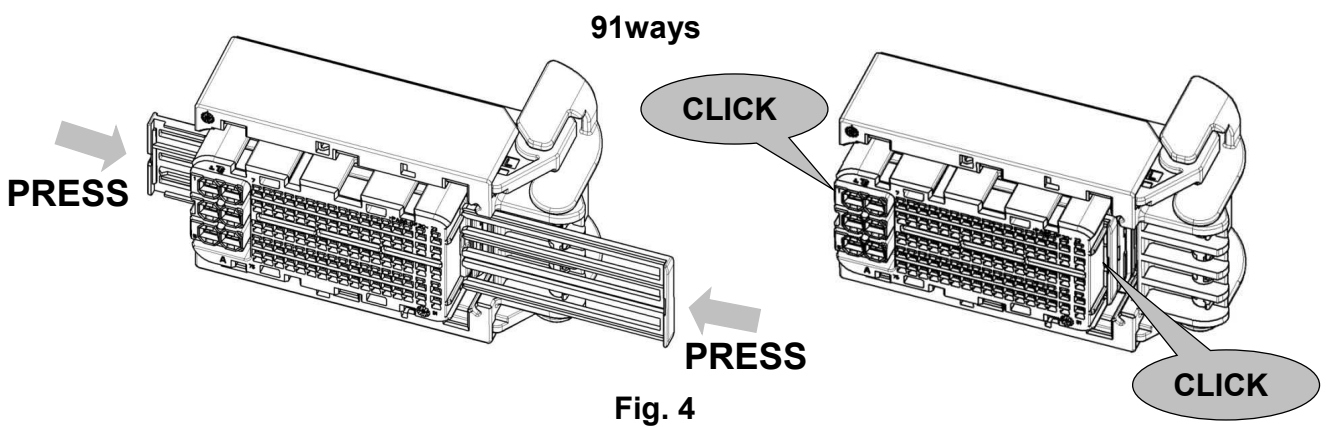
Fig. 3-A

**E-SECONDARY LOCK DEVICE CLOSING**

After the contacts and the plugs loading close the secondary lock device by pushing, in the direction shown by the arrow (picture 4-5), until the end of the stroke, in way to bring the prominence of head in beating.

**Warning!**

If you notice any resistance, don't push more. Check the correct contact insertion in their cavities and after proceed to close the device again.





## F - COVER ASSEMBLY

Locate cover in the position shown in picture (picture 6-A) and insert it into suitable slot. Wire bundle must be folded up as shown in the picture (picture 6-B) and cover must be pushed in arrow direction until it is locked. (picture 6-C)  
You must hear a click!

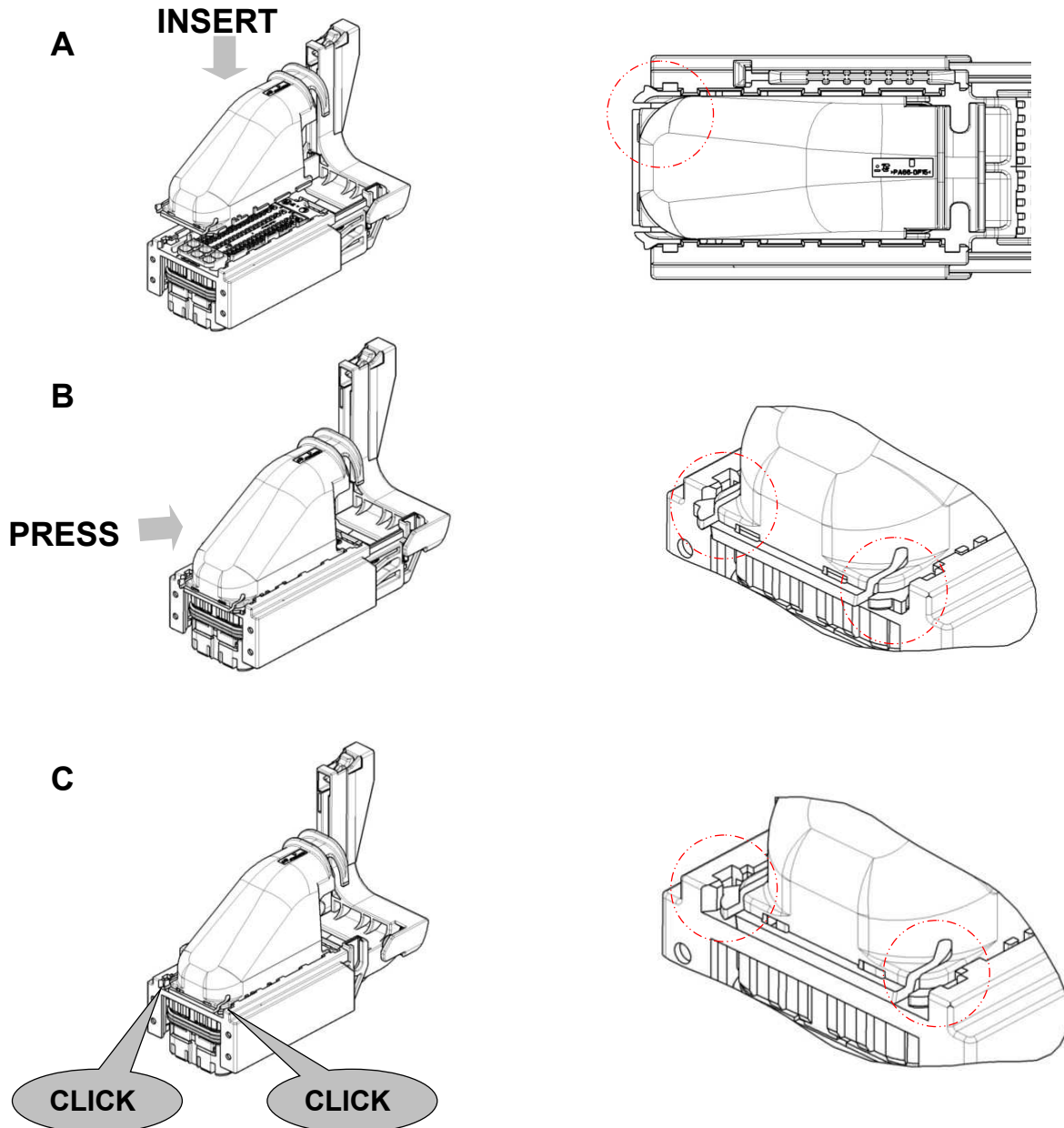


Fig. 6

## G – CONTACTS EXTRACTION

To extract a contact, the following steps are to be made:

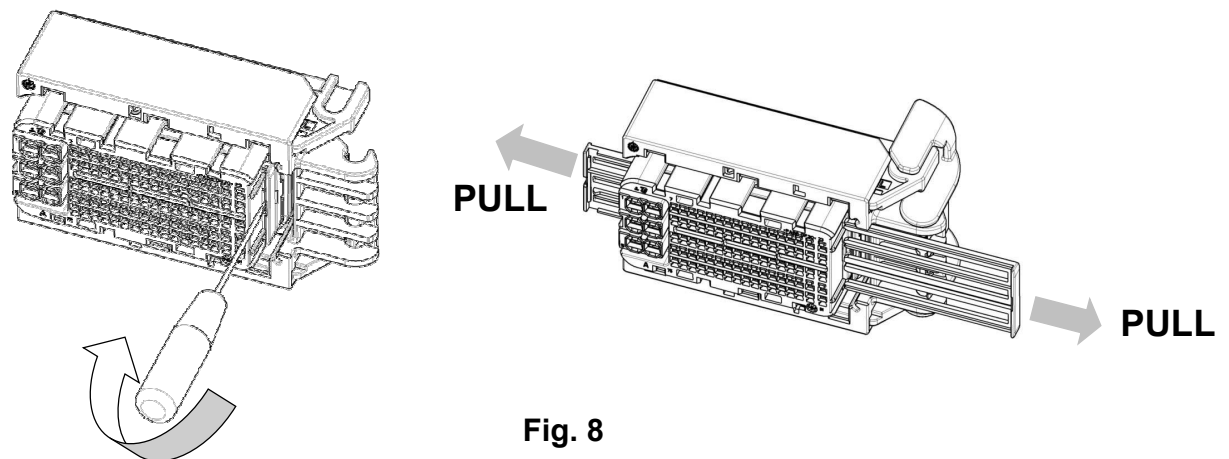
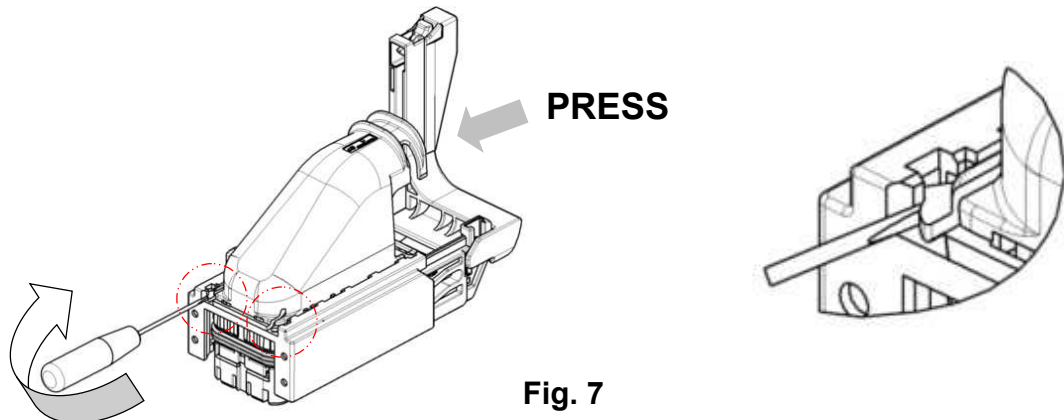
1. Remove the cover; (picture 7);
2. Remove the secondary locks (picture 8);
3. Extract the contact with the appropriate tool. (picture 9);

To remove the cover a small screwdriver or similar tool could act onto the locking lance of the cover as shown in picture 16. At the same time the cover must be pulled off along the direction indicated by the arrow.

To remove the contact, it must be used:

Extraction tool P/N 1-1579007-2 for contacts MCP 2.8K  
Extraction tool P/N 8-1579008-4 for contacts MCON 1.2 clean body.

Those are shown in the picture (picture 9);.



After have insert the extraction tool, pull out the wire from the opposite part.

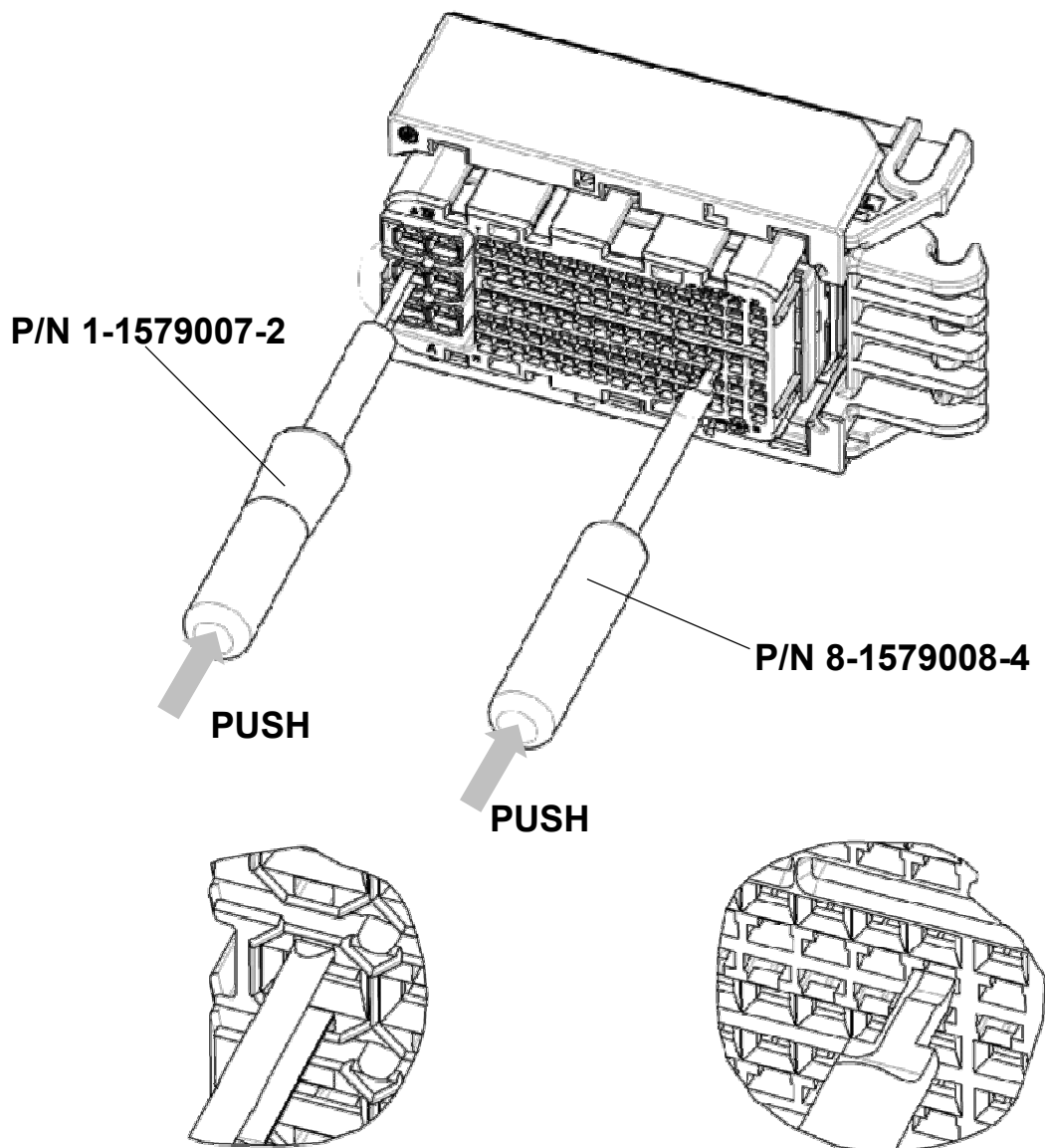


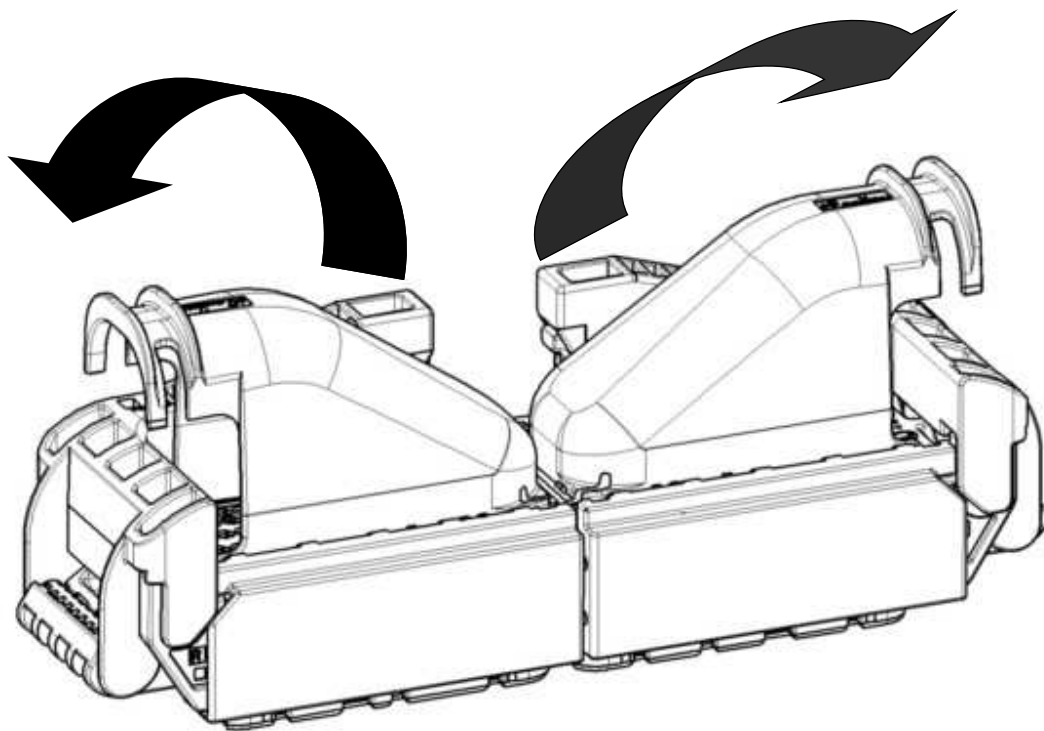
Fig. 9

---

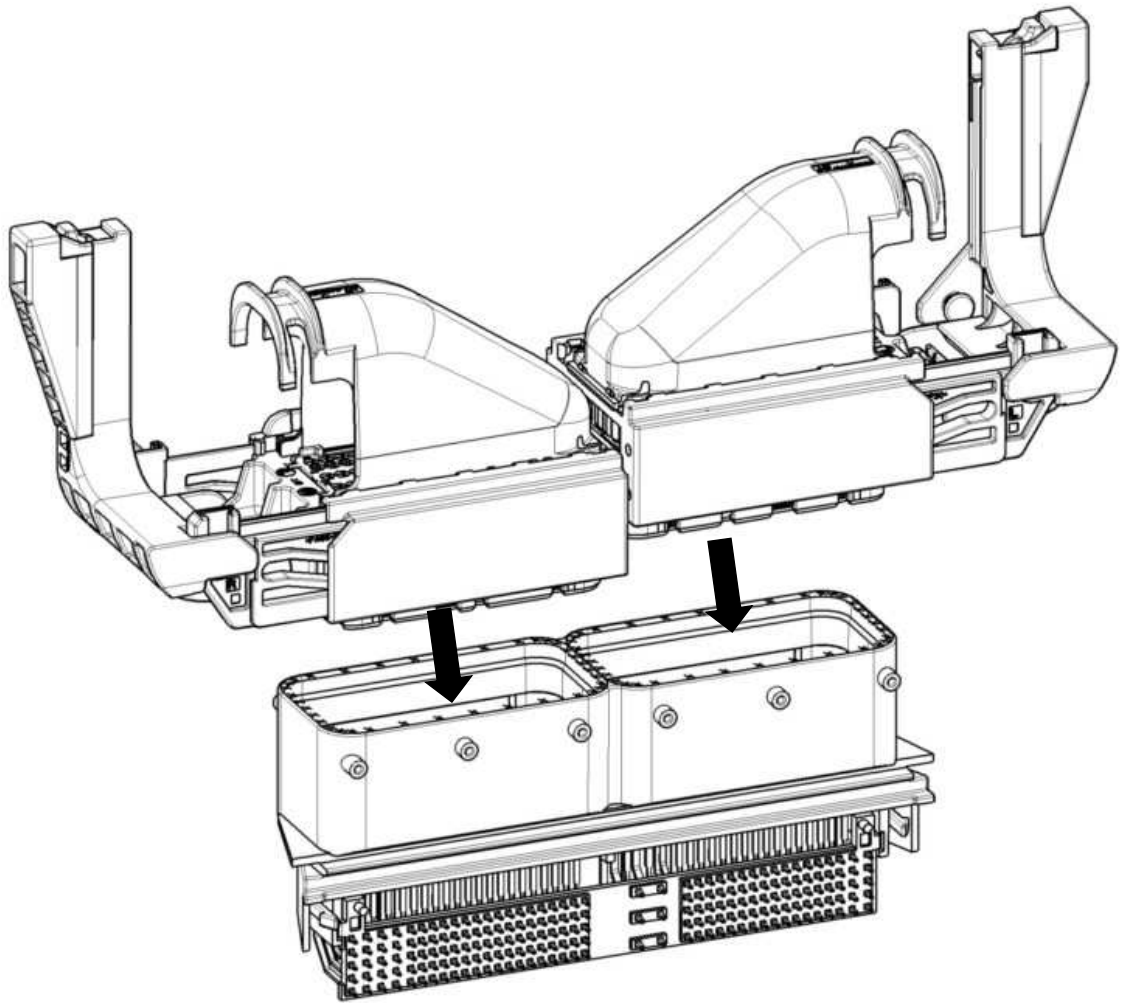
**H – MATING CONNECTORS**

To make the connection between header and two female connectors 91 ways P/N x-2005465-2 and 105 ways P/N x-2005475-2, following steps are to be made:

1. Open female connectors lever and put it in vertical position (picture 10);
2. Locate, one by one, female connectors into its hood and put guide pegs into its slots (picture 11 – A);
3. Close and lock the lever (picture 11 – B) after confirming horizontality of connector;
4. For unmating, the steps must be made comeback.



**Fig. 10**



**Fig. 11-A**

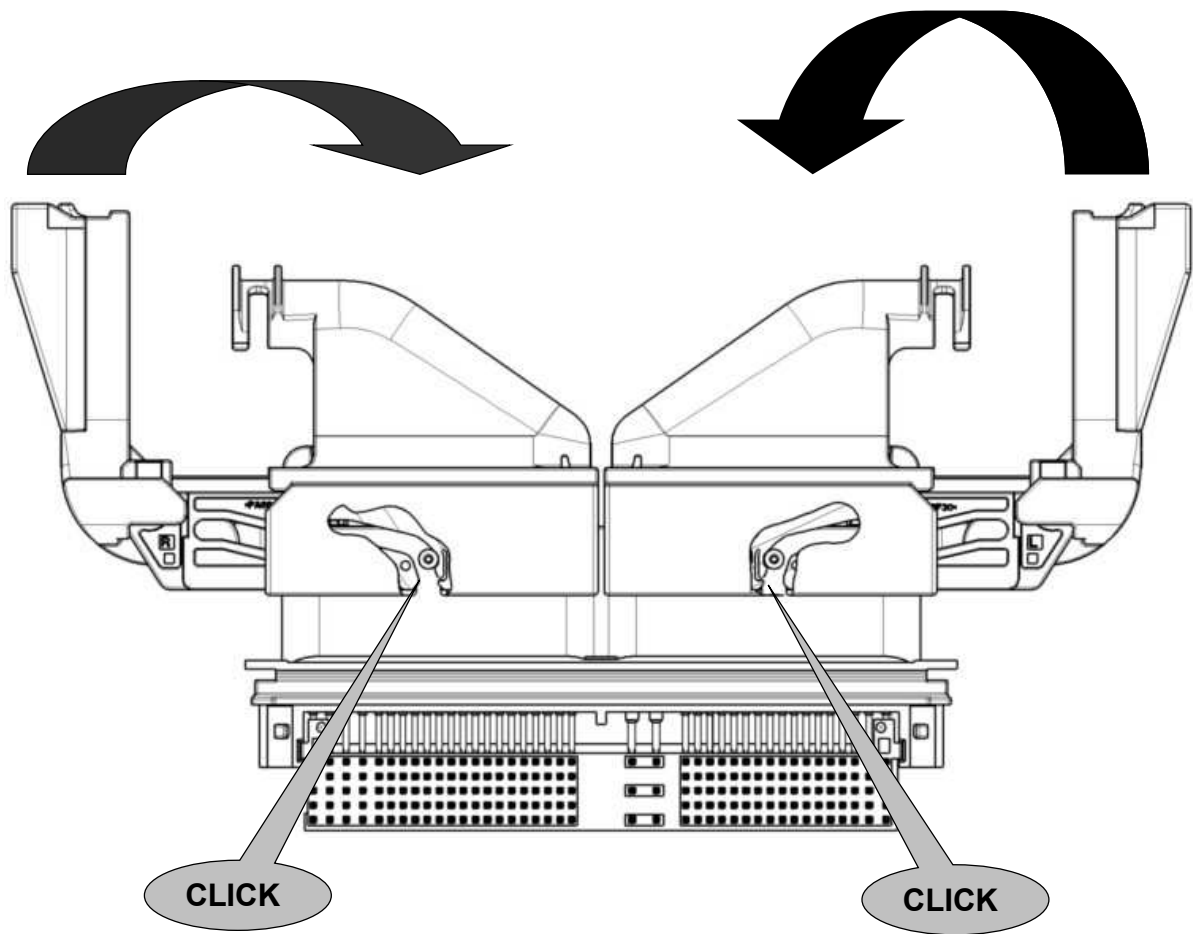


Fig. 11-B

---

I - MAX OVERALL DIMENSIONS WITH HEADER P/N 2005145-2

