

The Extraction Tool for .060 TAB/Recep. Contacts



Extraction Tool for Tab/Recep

1. INTRODUCTION

This instruction sheet explains the handling of the extraction tool used in case .060 Tab/Recep contacts are extracted from housing.

READ THIS MANUAL CAREFULLY BEFORE OPERATION!

2. APPLICABLE PRODUCTS

Tab PN: 2109005-x

Recep PN: 2109006-x

* "x" means a number of one figure.

3. EXTRACTION PROCEDURE

Extract the contacts according to the following procedure.

[Procedure]

- (1) Insert the tip of the tool from mating side of the connector until it touches and moves the housing lance on secondary lock (retainer) is primary position.
- (2) Hold an electric wire in this condition and extract the contacts

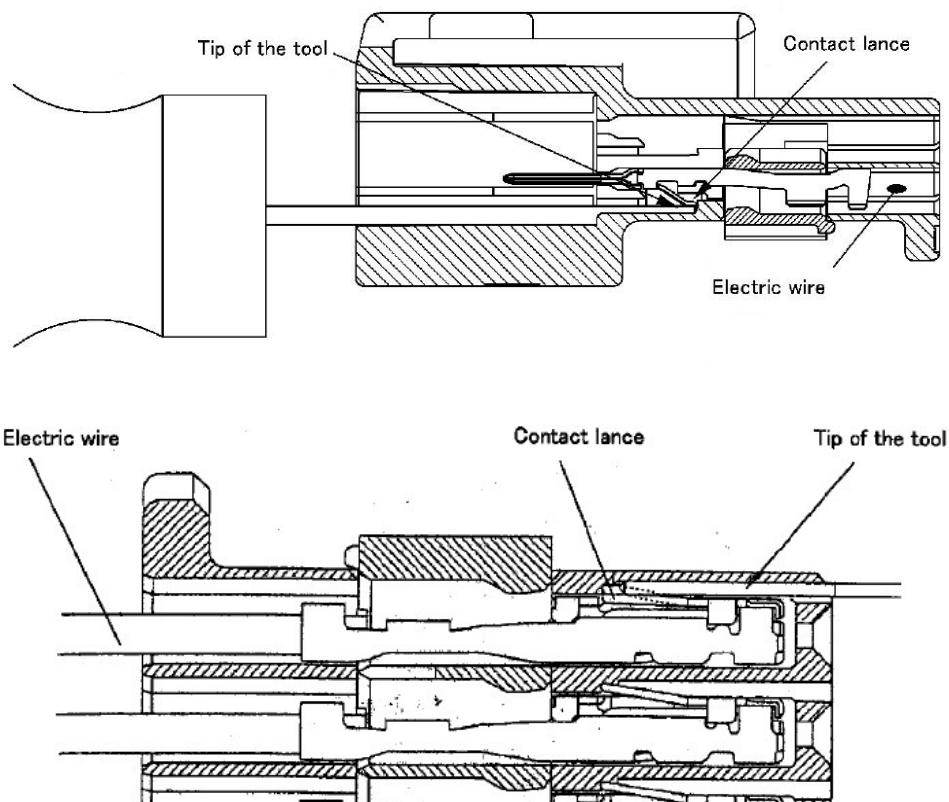
NOTE

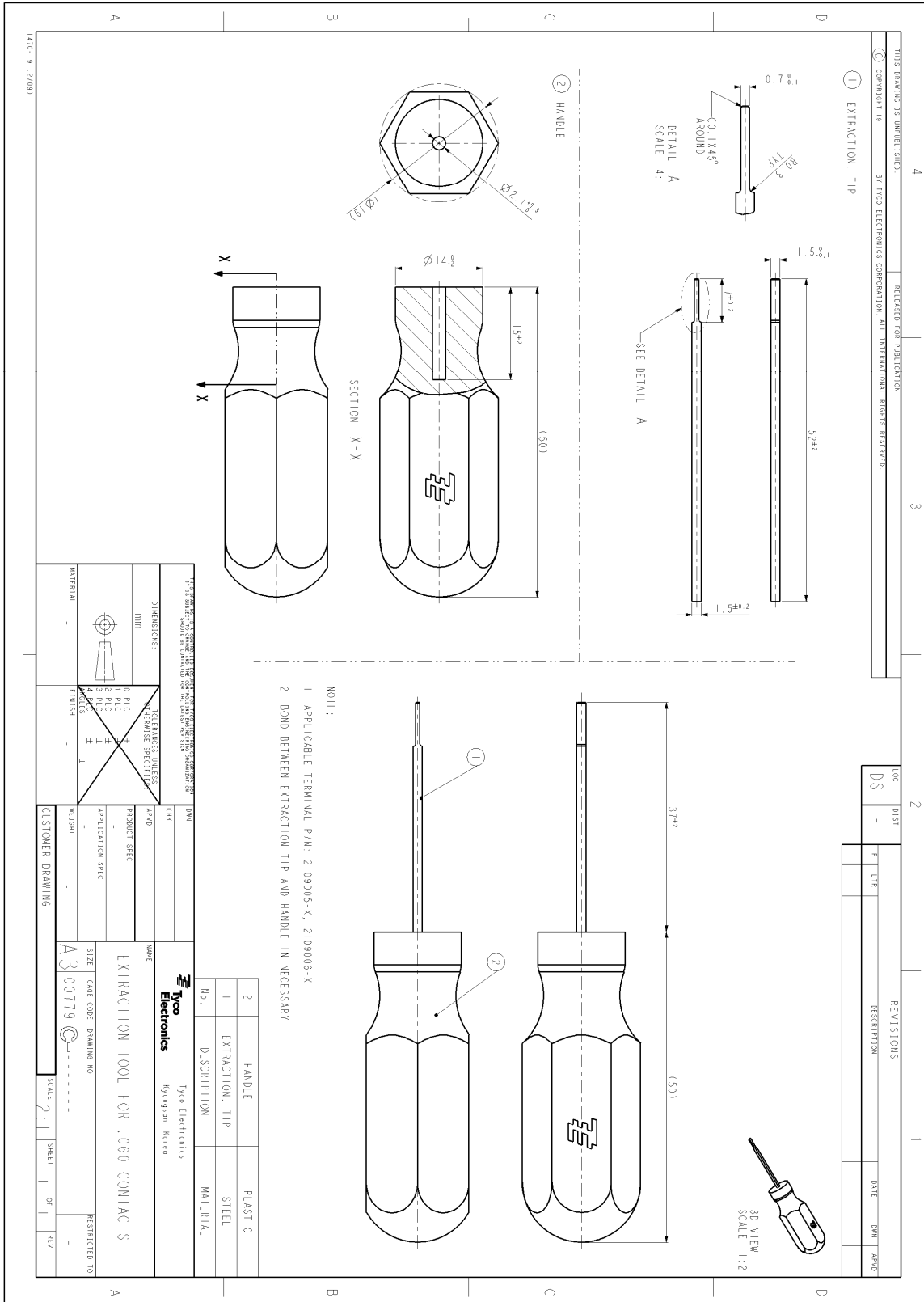
When reusing the extracted contact, make sure that there are no damages on the contact. If there are any damages, DO NOT reuse the contact.

Contact lance could be released by just inserting the extraction tool. DO NOT apply excess force when you push in the tool housing. Contact lance and/or tool may be damaged. DO NOT insert the extraction tool into contact. The contact may be damaged and must be replaced with new one.

DO NOT use the tool to releasing the retainer of housing. Tool may be damaged.

DO NOT use the tool if its tip is bent more than 10 degrees.





4. Revision History

A	RELEASED	06.DEC.'10
REV.	REVISION RECORD	DATE

5. Specification Approval

Prepared by,

KT JUNG

Product Engineer

Checked By,

KT LIM

Senior Product Engineer

Approved by,

HG CHO

Product Engineering Manager