

E-SPRING CONTACT SYSTEM. INSTRUCTIONS FOR MAKING CONNECTION WITH TAB

1. Part Number and Part Name

Part number base	Part Name
336074	E-SPRING CONTACT* Receptacle
336075	E-SPRING CONTACT* Receptacle
336076	E-SPRING CONTACT* Receptacle
336524	1 way E-SPRING CONTACT* Receptacle Sleeves

2. Procedure to make connection

2.1. Make sure that the contact is inserted into the housing in proper condition and the wire is taped up form proper position.

2.2. Check the tab, contact into the housing and the housing for defects, deformations, damages, rusts, cracks, etc.

NOTE The components must be renewed if any defects are found.

2.3. Insert the proper receptacle into the tab straight with same direction as shown in fig. 1. Do not insert receptacle as shown in fig 2.

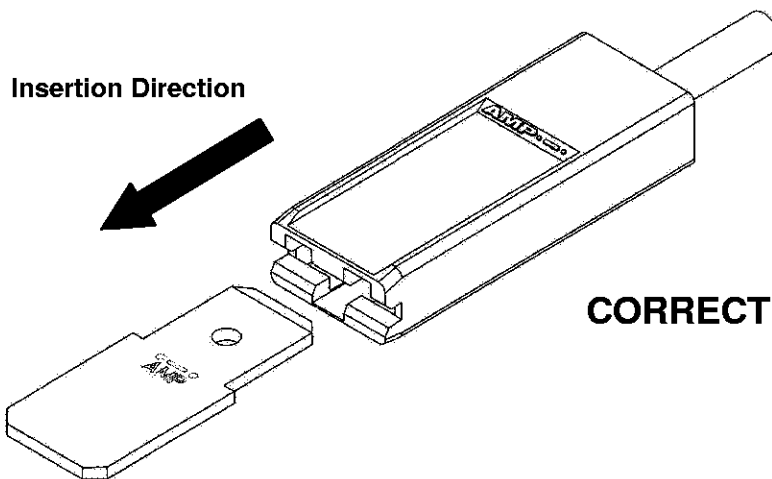


Fig. 1

DR	DATE	APVD	DATE
A. Herranz **	28/Jul/2004	L. Batlló **	28/Jul/2004

Rev. A

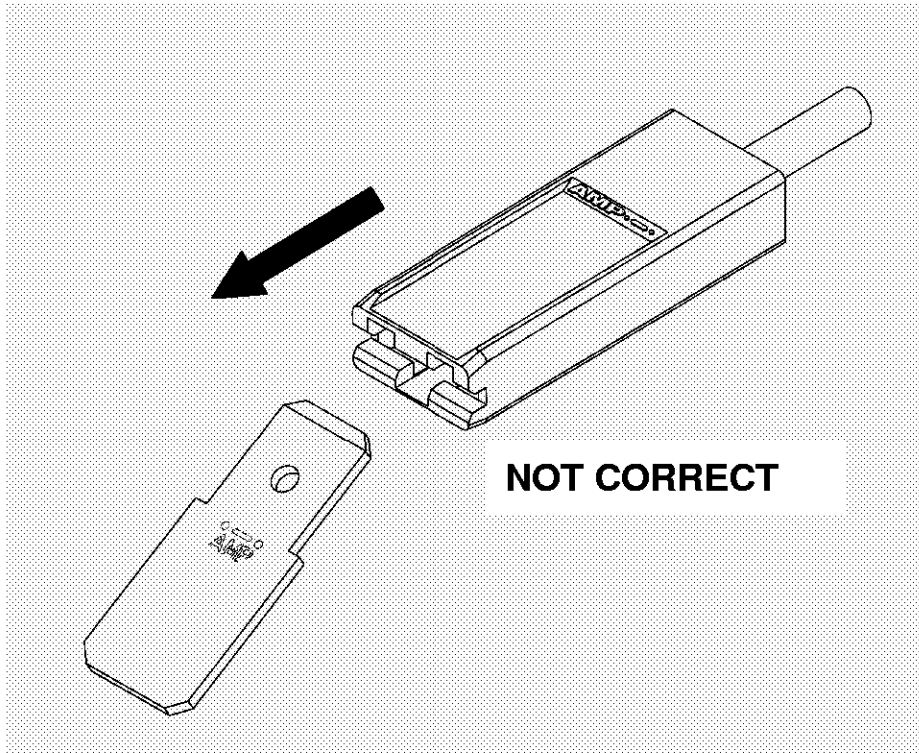


Fig. 2

2.4. During connection operation, tendency to certain misalignment is usual, see fig 3. Before continue pushing, you must align receptacle and tab and continue inserting the receptacle, see fig. 4 and 5

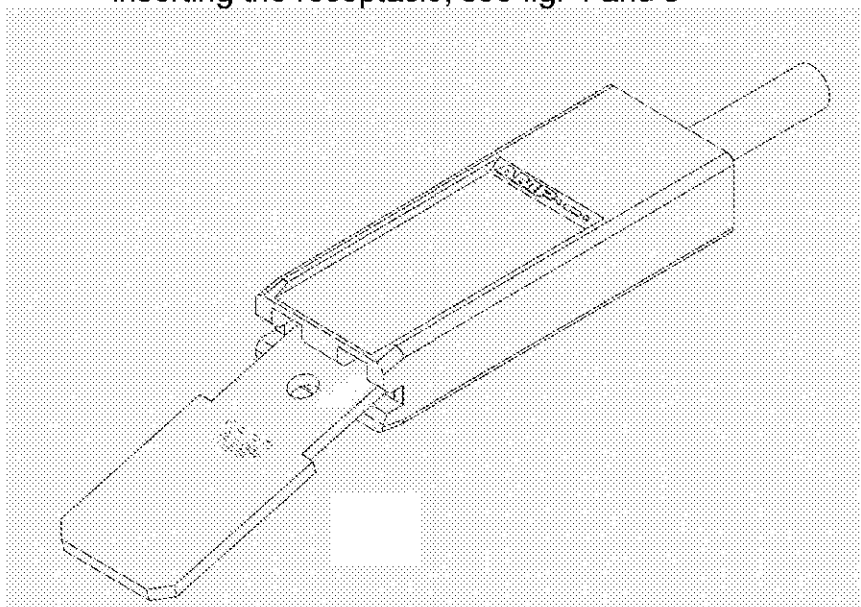


Fig. 3

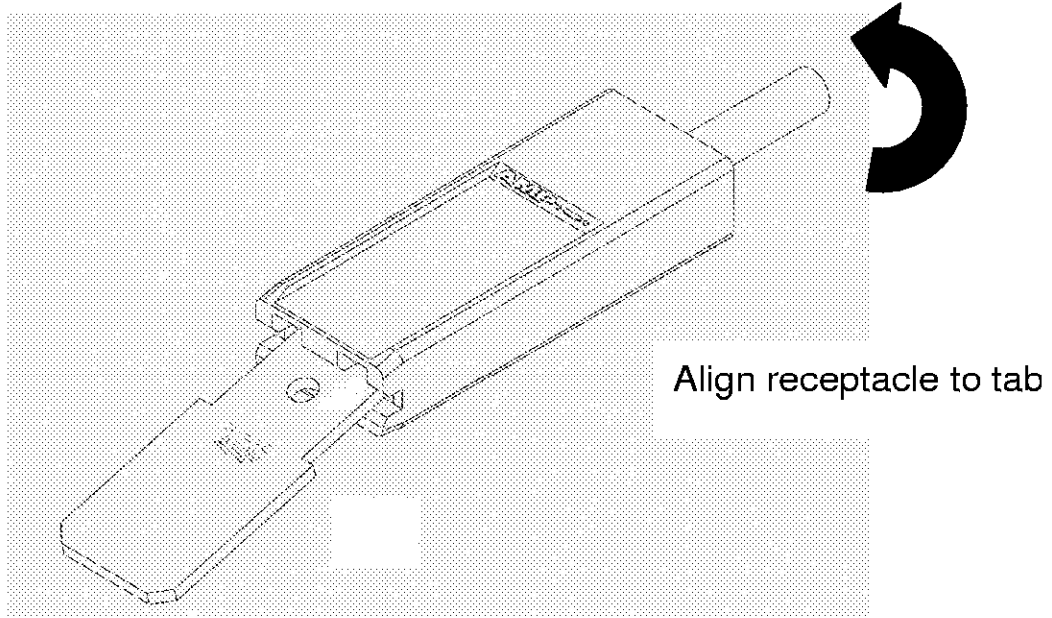


Fig. 4

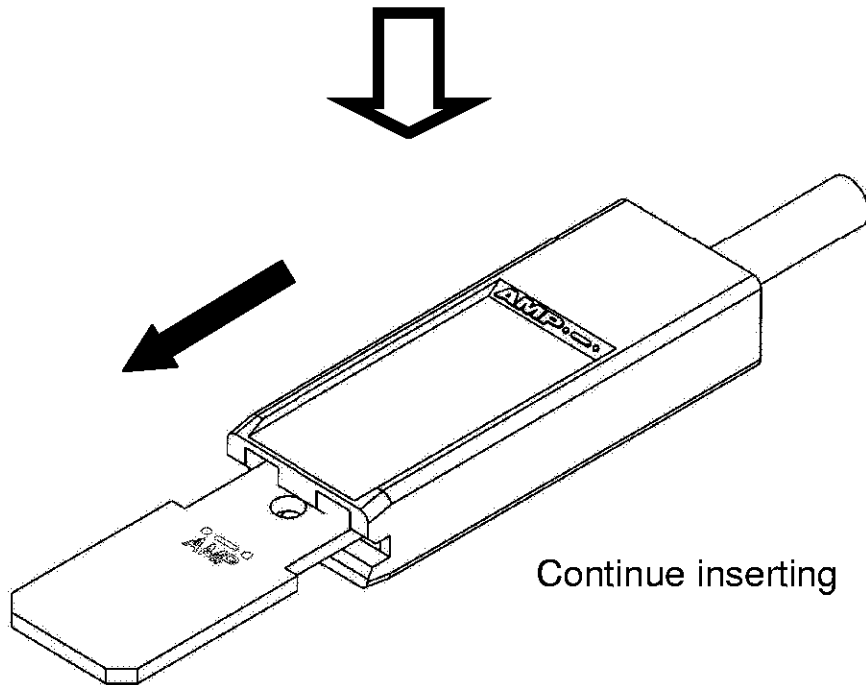


Fig. 5

2.5. The operation is finished when you hear the click sound and can not insert further, see fig. 6.

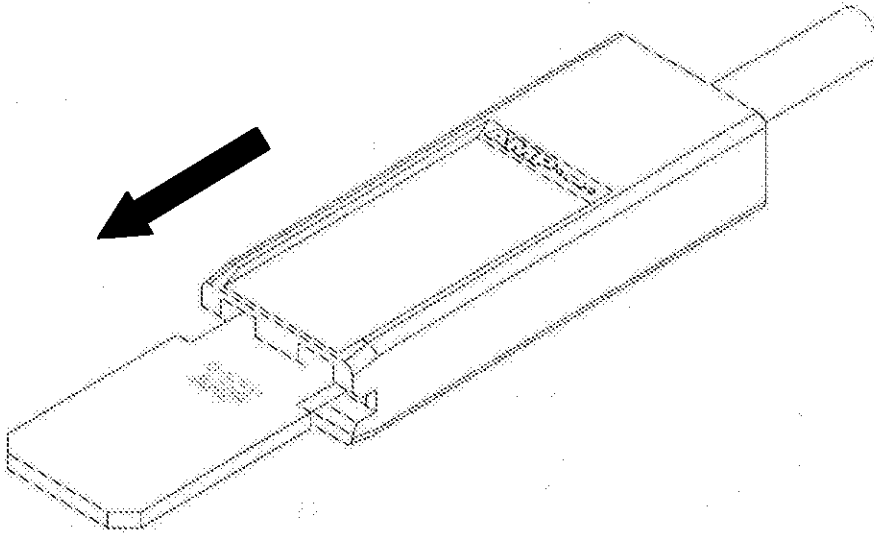


Fig. 6

NOTE At insertion operation, take care not to apply force except in the insertion direction.

2.6. Check if connection is well locked by pulling the housing or contact with a force not exceeding 20 N.