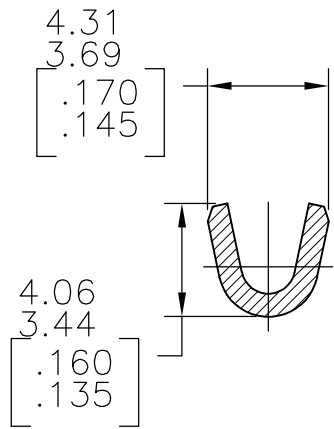
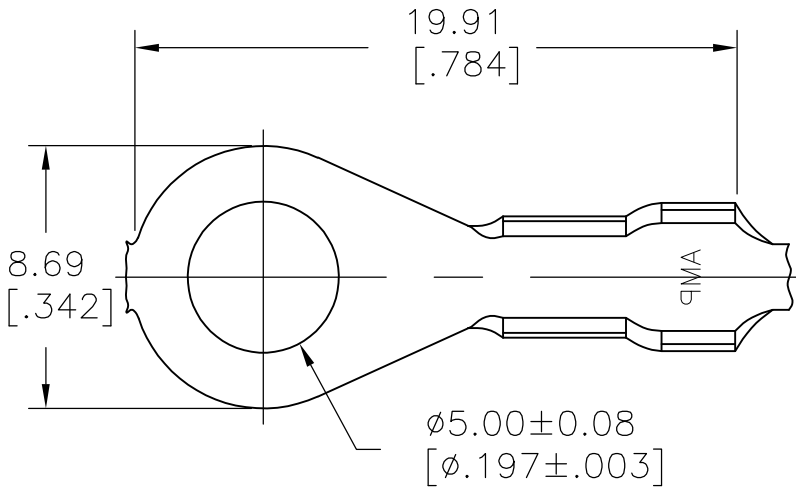
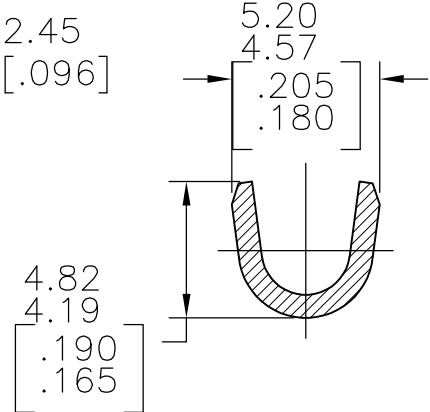
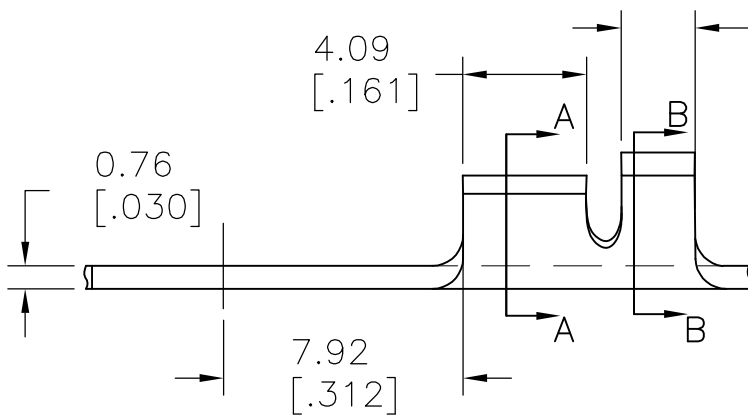


LOC AF	DIST —	REVISIONS			
P	LTR	DESCRIPTION	DATE	DWN	APVD
	G2	REVISED PER ECO-11-005027	11MAR11	RK	HMR



SECTION A-A



SECTION B-B

- 1 INSULATION RANGE: #100-140
- 2 WIRE SIZE: #20-16 AWG
- 3 STUD: #10

40955
PART NUMBER

THIS DRAWING IS UNPUBLISHED.

RELEASED FOR PUBLICATION

ALL RIGHTS RESERVED.

By -
COPYRIGHT -

DIMENSIONS: mm [INCHES]	DWN RAGHAVENDRA	220CT10	MATERIAL BRASS	FINISH TIN
	CHK DESANTIS PETER	220CT10		
TOLERANCES UNLESS OTHERWISE SPECIFIED:	APVD DESANTIS PETER	220CT10		
	0 PLC ± -	PRODUCT SPEC	NAME RING	
1 PLC ± -	—	SIZE A4	CAGE CODE 00779	DRAWING NO C-40955
2 PLC ± -	APPLICATION SPEC	RESTRICTED TO		—
3 PLC ± .015	—	SCALE 4:1		SHEET 1 of 1
4 PLC ± -	WEIGHT —	CUSTOMER DRAWING		REV G2
ANGLES ± 1°				

