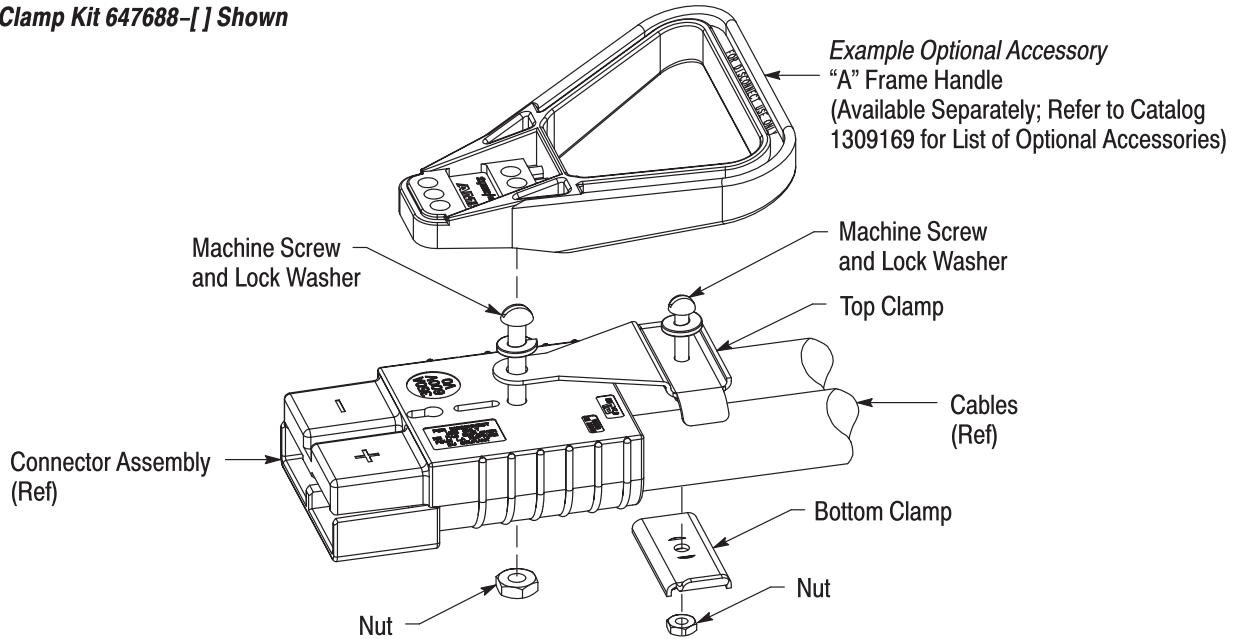


**Cable Clamp Kit 647688-[ ] Shown**



CABLE CLAMP KIT		CONNECTOR ASSEMBLY		
PART NUMBER	DESCRIPTION	SERIES	PART NUMBER	APPLICATION SPECIFICATION
647697-[ ]	Double Conductor	175	1604037-[ ]	114-13118
647700-[ ]	Single Conductor			
647703-[ ]	Two Single Conductors			
647688-[ ]	Two Single Conductors	350	1604050-[ ]	114-13119

Figure 1

**1. INTRODUCTION**

This instruction sheet covers assembly of the cable clamp kits listed in Figure 1 onto Power Series 175 and 350 connector assemblies. The cable clamps are designed to maintain proper orientation of the cables to the connector assembly.

**NOTE** *The connector assemblies meet the requirements of CSA International Standards by UL only when these cable clamps are used.*

Optional accessories are available for use with the cable clamps, for example, the “A” frame handle shown in Figure 1.

Reasons for reissue of this instruction sheet are provided in Section 4, REVISION SUMMARY.

**2. DESCRIPTION**

Each cable clamp consists of a top clamp, bottom clamp, and kit-specific hardware. Figure 1 shows the components contained in Kit 647688-[ ].

**3. ASSEMBLY PROCEDURE**

**NOTE** *The connector must be properly assembled before installing the cable clamp and optional accessories. For application requirements, refer to the relative application specification (114-series) listed in Figure 1.*

Assemble the cable clamp onto the connector assembly according to the customer drawing (reference the part number of the cable clamp kit). Figure 1 shows assembly of Kit 647688-[ ] onto Power Series 350 connector assembly.

Properly installed cable clamps and accessories will not interfere with mating and unmating of connector assemblies.

**4. REVISION SUMMARY**

Revisions to this instruction sheet include:

- Updated document to corporate requirements