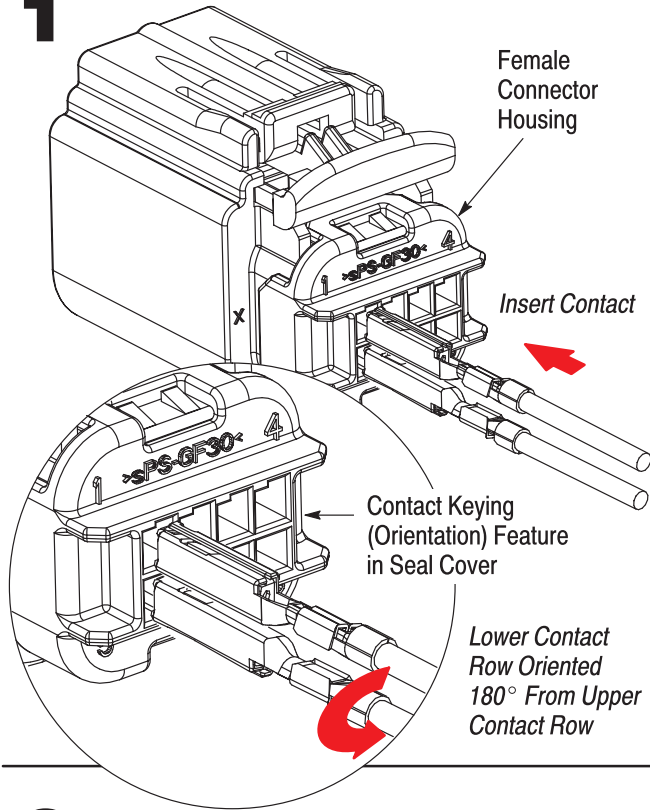
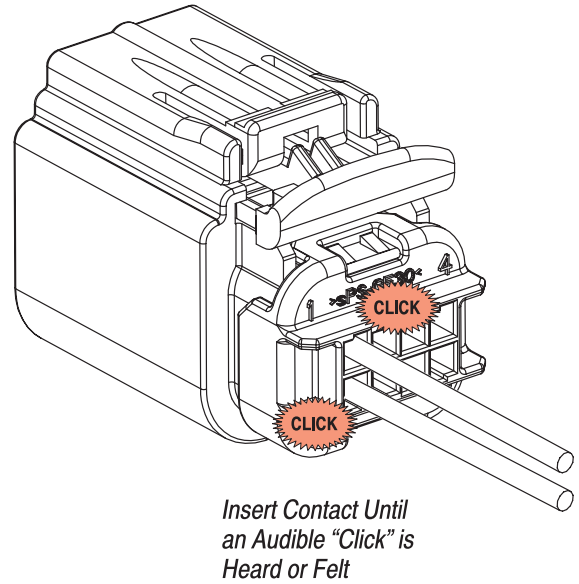


Contact Assembly Instructions

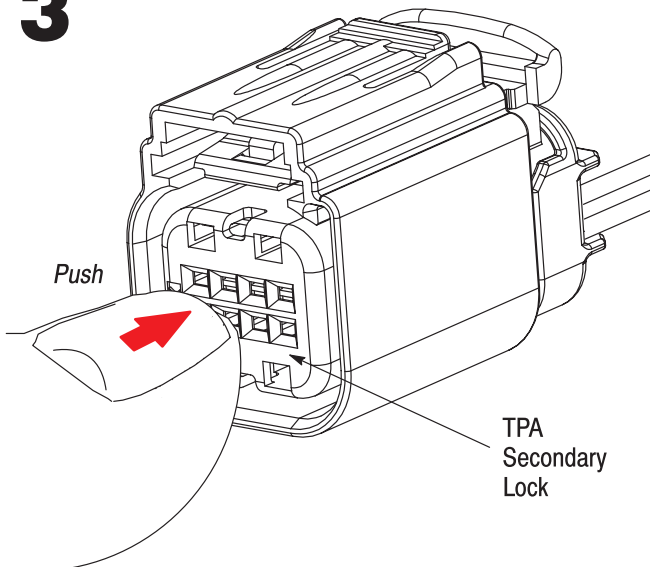
1



2

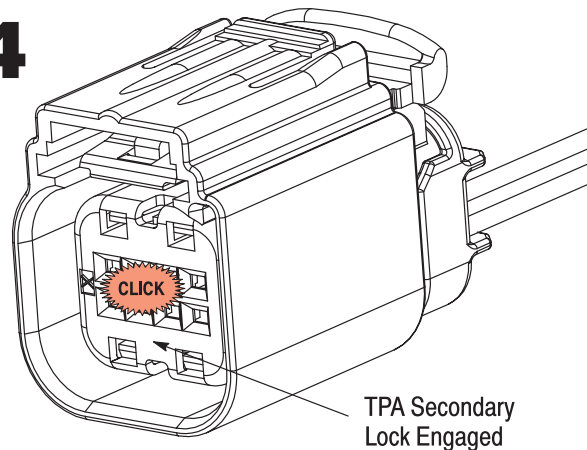


3



Push to activate TPA secondary lock from pre-set (out) position to fully engaged.

4

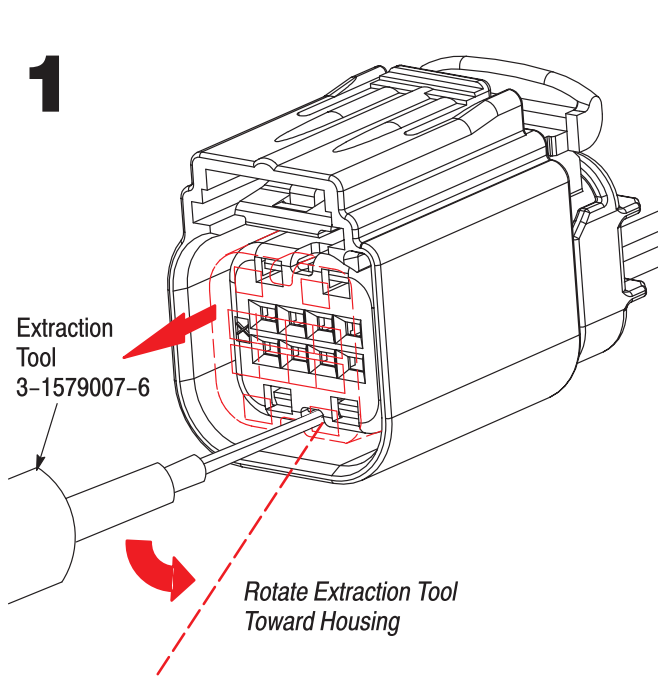


After all desired contacts are inserted, engage the TPA secondary lock. A physical resistance to fully engaging TPA indicated contact(s) is not fully inserted. Go back to Step 2.

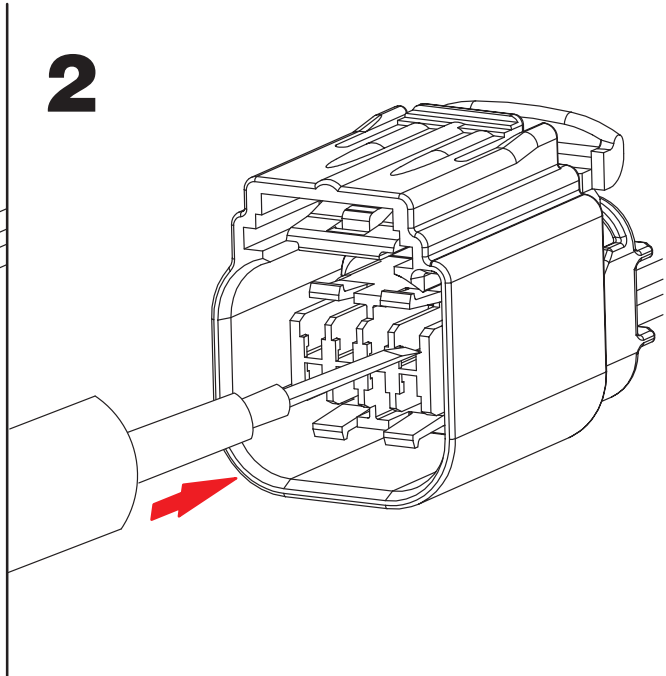
When audible "click" is heard, TPA secondary lock is in the final position.

NOTE: This document is representative of all connector positions in this product family.

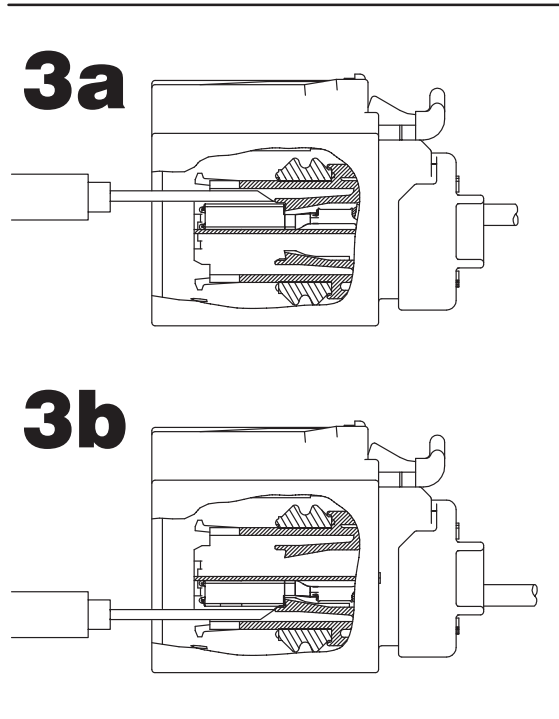
Contact Disassembly Instructions (Use Extraction Tool 3-1579007-6)



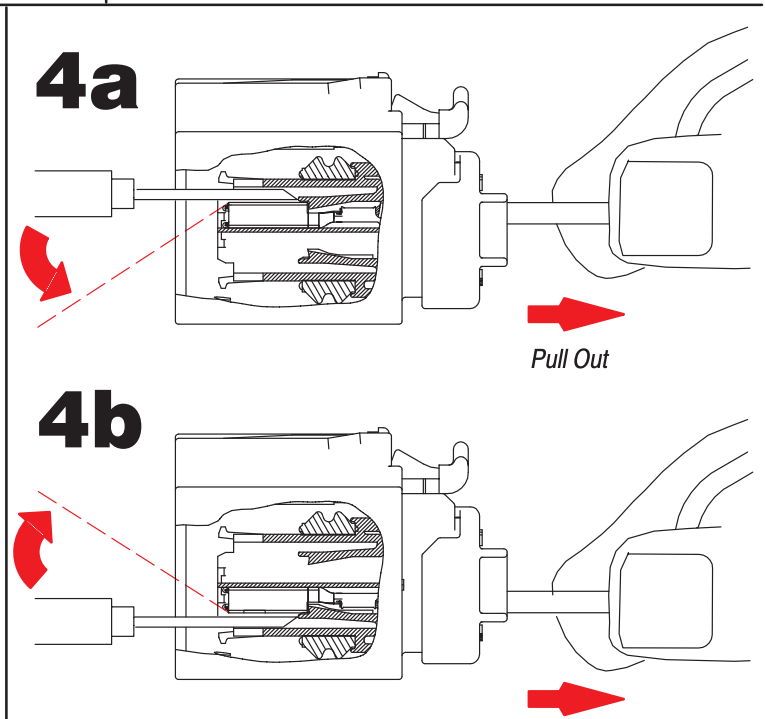
Place Extraction Tool 3-1579007-6 on center of housing in center cutout on TPA. Rotate extraction tool toward housing to disengage TPA.



Place extraction tool under beam that holds contact in place.



Extraction tool positioned to release beam.



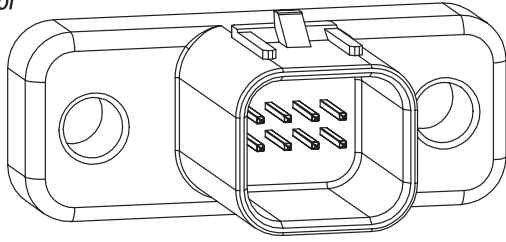
Rotate extraction tool to release beam while simultaneously pulling contact out.



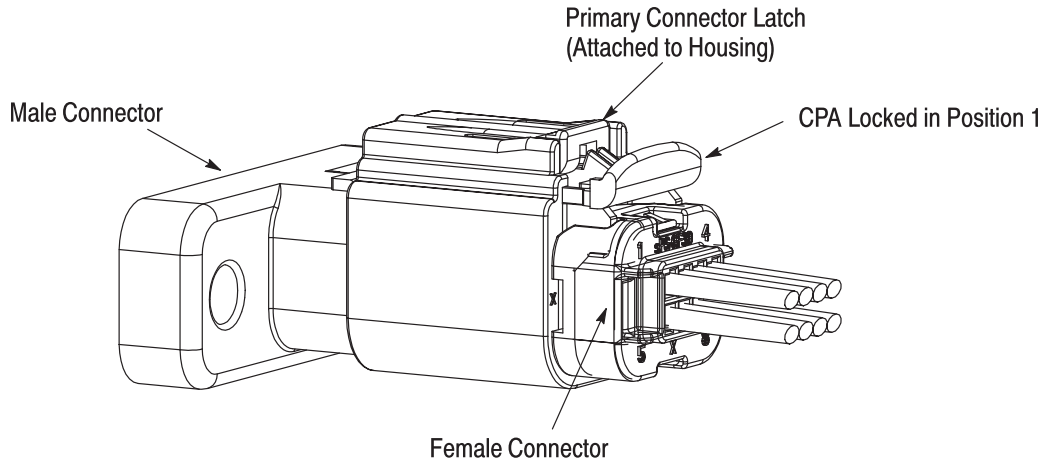
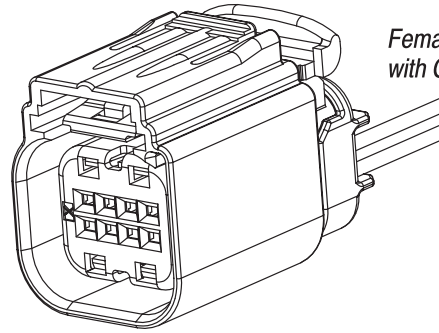
DO NOT re-use damaged or worn contacts. Instead, replace them with new contacts and discard the old ones.

Mating Instructions – with CPA

Male Connector

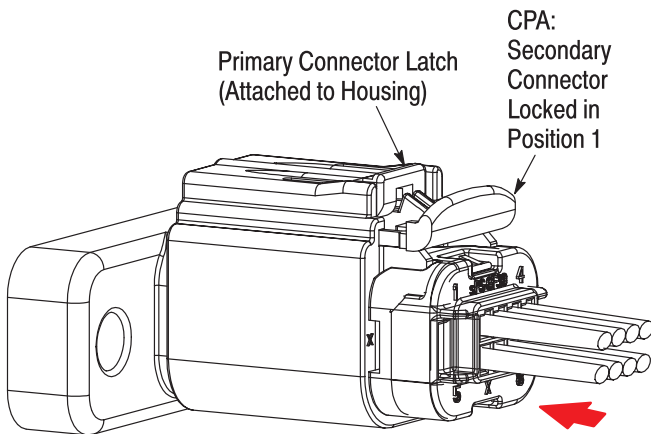


Female Connector with CPA



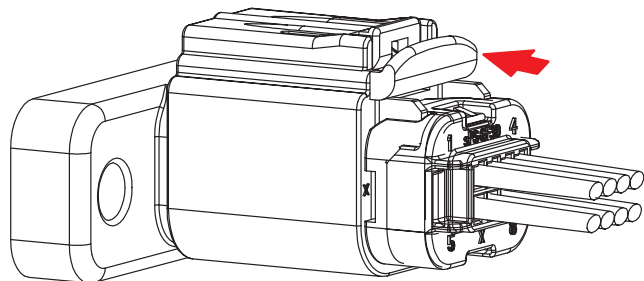
CPA is locked in Position 1 for shipping and handling before engaging the primary connector latch. CPA can not move forward or backward until the connectors are mated and the primary connector latch “clicks” and engages.

1 To MATE: PUSH on housing base or sides **ONLY**.



Do not push CPA forward until primary connector latch “clicks” and engages.

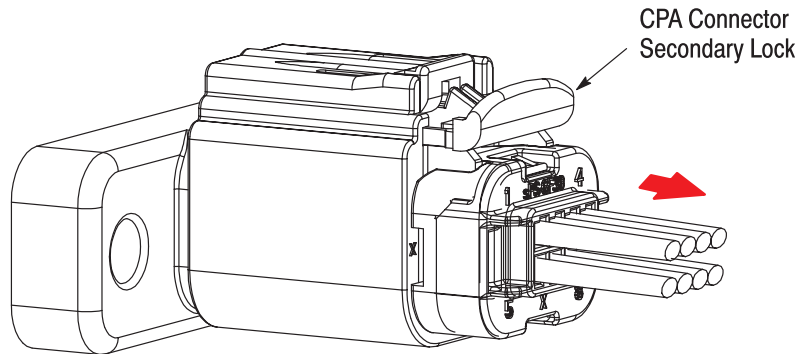
2 To LOCK: PUSH CPA forward until an audible “click” is heard.



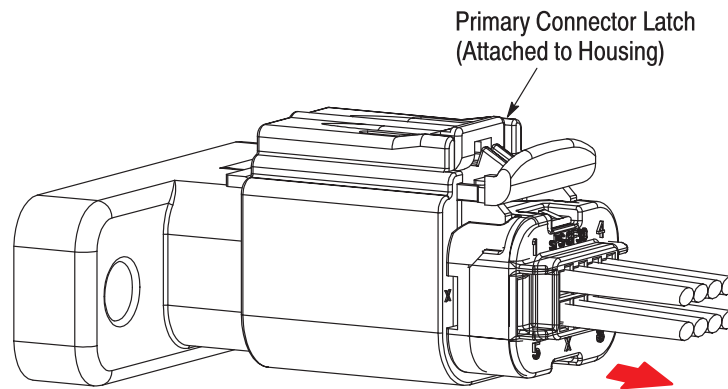
Finally, push CPA forward to engage secondary lock and ensure proper CPA locking.

Unmating Instructions - with CPA

- 1 To UNMATE:** Lightly PULL CPA back to Position 1 (pre-installed position) until audible “click” is heard.



- 2 To UNMATE:** With CPA in Position 1, DEPRESS Primary Connector Latch, then simultaneously pull connector/wires while gripping the housing with thumb, index finger, and palm (wire bundle).



REVISION SUMMARY:

Revisions to this instruction sheet include:

- Updated document to corporate requirements
- New format