

TE CONNECTIVITY PART NUMBER	PREVIOUS PART NUMBER	CABLE TYPE
1059888-1	4736-7316-02	RG316/U, 188 Double Braid

Figure 1

1. INTRODUCTION

This instruction sheet contains the assembly procedures for the OSSP Flange Mount Cable Jack Connector 1059888-1 shown in Figure 1. This connector is a floating rear mount, crimp attachment type connector that attaches to the cable type listed in Figure 1. Figure 1 also contains the previous OSSP Flange Mount Cable Jack part number.



NOTE Dimensions on this sheet are in millimeters [with inches in brackets], unless otherwise specified. Figures and illustrations are for reference only and are not drawn to scale.

TOOL DESCRIPTION	TE PART NUMBER	PREVIOUS PART NUMBER
Crimp Tool	1060713-1	5698-5014-54 (T-4718)
Crimp Die	1055270-1	2098-0323-54 (.151 in. Hex)
Center Contact Holder	1055463-1	2098-5237-10 (T-4579)

Figure 2

The table in Figure 2 references the tools required to apply these connectors. The table includes tool descriptions, current TE part numbers, and the corresponding (previous) part numbers.

Reasons for re-issue can be found in Section 3, REVISION SUMMARY.

Read and understand these instructions thoroughly before proceeding.

2. ASSEMBLY PROCEDURES

2.1. Preparing the Coaxial Cable End (Figure 3)

- Slide the shrink sleeve and outer sleeve on the cable.



To avoid personal injury, be sure to wear gloves and adhere to all local safety practices when handling a cutting blade or knife.

- Cut and remove the end portion of the cable jacket to expose the cable outer conductor (cable braid).
- Trim the outer conductor (cable braid) to the length shown in Figure 3.
- Trim the cable dielectric to the length shown in Figure 3.
- Trim the inner conductor length.
- Flare the cable braid (see Figure 3).

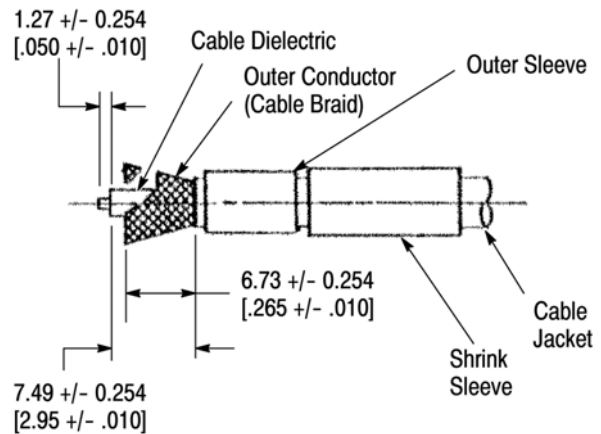


Figure 3

2.2. Soldering the Center Contact to the Cable Inner Conductor (Figure 4)



To avoid personal injury and avoid burns, exercise caution when using soldering equipment.

1. Tin the inner conductor.
2. Place the center contact in the center contact holder (listed in Figure 2). Push the center contact over the inner conductor of the cable so that it butts against the cable dielectric.
3. Remove excess solder.

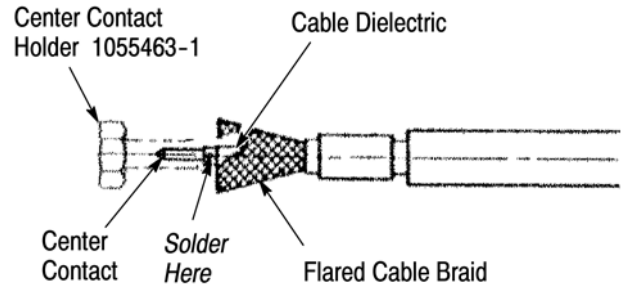


Figure 4

2.3. Crimping the Cable Sub-Assembly to the Housing Sub-Assembly (Figure 5)

1. Ensure that the soldered center contact enters the pre-assembled housing.
2. Insert the cable into the housing and seat the cable firmly.
3. Slide the outer sleeve over flared portion of the outer conductor (cable braid).
4. Hold the cable in place and crimp the outer sleeve.
5. Trim and remove excess outer conductor (cable braid) strands.

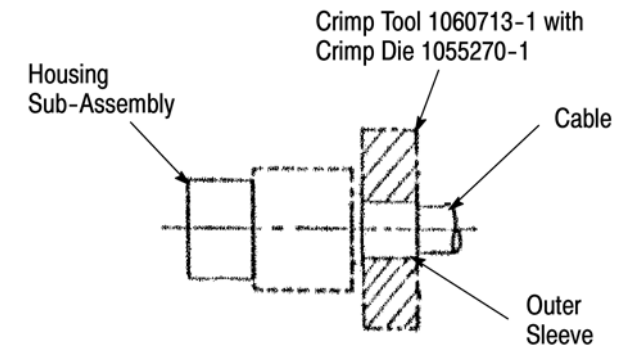


Figure 5

2.4. Applying the Shrink Sleeve

1. Position the shrink sleeve over the outer sleeve as shown in Figure 6.
2. Apply indirect heat evenly with a heat gun to shrink the sleeve.

3. REVISION SUMMARY

- New logo

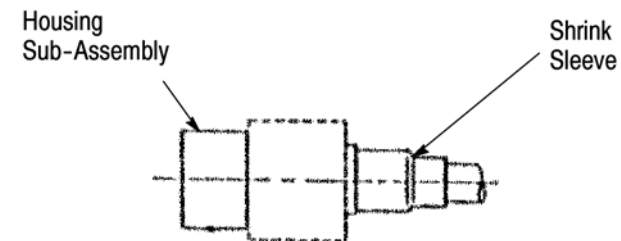


Figure 6