



AMP★ EXTRACTION TOOL 91093-1  
FOR AMP FLEXIBLE FLAT CABLE (FFC)  
ROUND WIRE RECEPTACLE CONTACTS

IS 7646

RELEASED	12-7-73
REVISED	

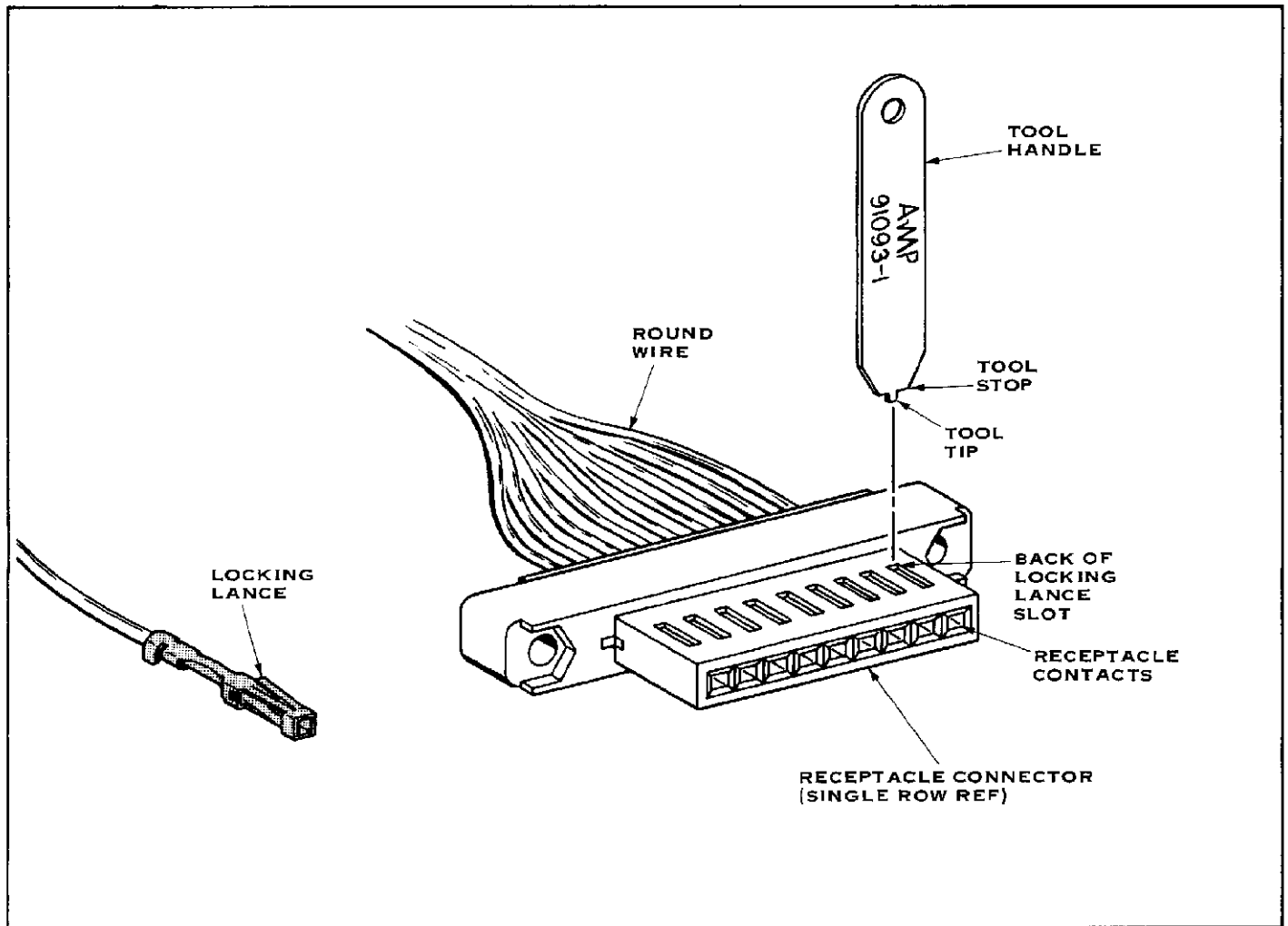


FIGURE 1

1. INTRODUCTION

The AMP Extraction Tool 91093-1 is designed to remove individual AMP FFC receptacle contacts — crimped to round wire — from AMP FFC connectors. Read these instructions thoroughly before starting.

NOTE

*All dimensions presented on this instruction sheet are in inches, unless otherwise stated.*

2. DESCRIPTION

The tool tip is designed to enter the locking lance slot and depress the contact locking lance. The tool stop is designed to prevent contact damage from over-insertion of the tool. The tool handle has the tool number marked on it. See Figure 1.

3. EXTRACTION PROCEDURE

Remove the contact as follows:

1. Align the tool tip with the BACK of the applicable locking lance slot, as shown in Figure 1.
2. Insert the tool tip straight into the slot until the tool stop bottoms on the connector.
3. Grip the wire of the contact to be removed, and pull the contact part way out of the connector.
4. Remove the tool, and pull the contact out of the connector.

© Copyright 1973 by AMP Incorporated, Harrisburg, Pa. All International Rights Reserved. AMP Incorporated products covered by U.S. and Foreign patents and/or patents pending.

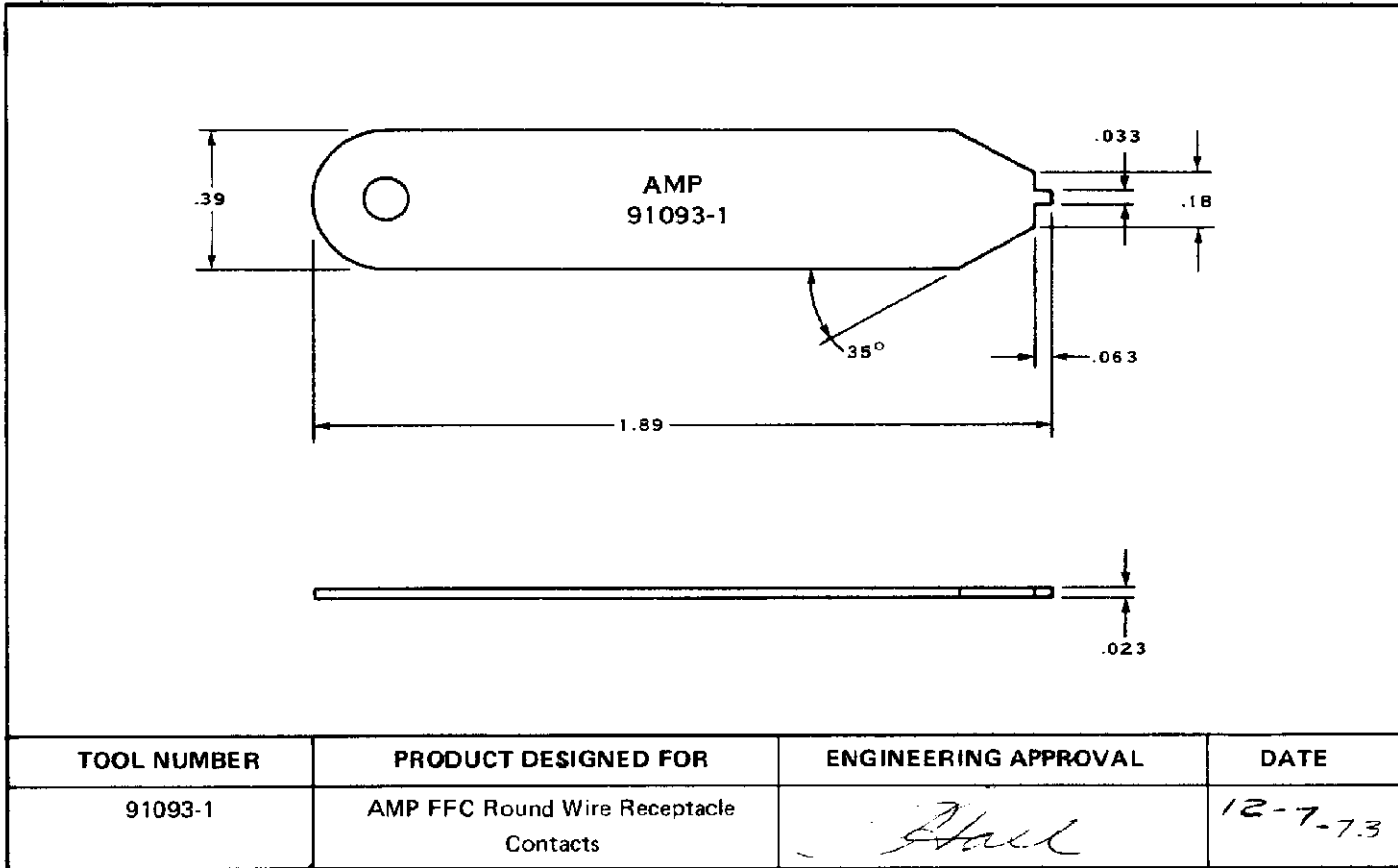


FIGURE 2

**4. TOOL CERTIFICATION**

The extraction tool listed on this instruction sheet should be certified with the information provided in Figure 2. We recommend that you inspect the tool immediately upon arrival in your factory, and at regularly scheduled intervals, to assure that the tool has not been damaged during handling.

Additional tools can be purchased from:

AMP Incorporated  
 Eisenhower Boulevard  
 Harrisburg, Pennsylvania 17105