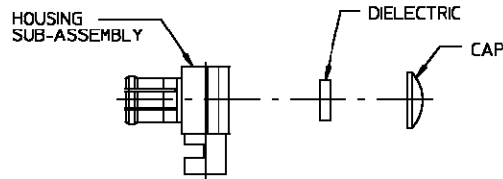


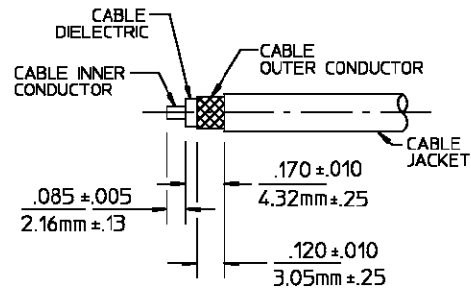
CONNECTOR TYPE OSX RIGHT ANGLE CABLE PLUG SOLDER ATTACHMENT	CABLE TYPE RG316/U, 188	TOOLS REQUIRED: OPTIONAL TOOLING- INSERTION TOOL:: 2598-5231-10
--	----------------------------	---

CONNECTOR

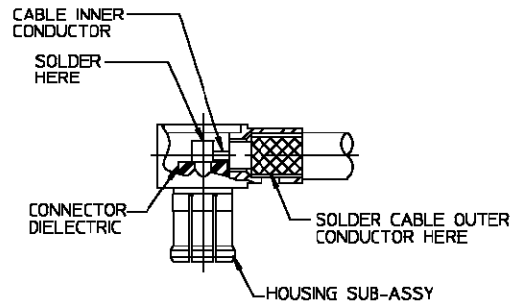


ASSEMBLY OPERATIONS

- 1.0 PREPARE COAXIAL CABLE END
1.1 STRIP CABLE TO THE DIMENSIONS SHOWN.



- 2.0 SOLDER CABLE TO HOUSING SUB-ASSEMBLY
2.1 TIN INNER CONDUCTOR OF CABLE.
2.2 POSITION AND SECURE HOUSING SUB-ASSY
2.3 INSERT CABLE INTO HOUSING SUB-ASSY AS SHOWN.
2.4 PLACE SOLDERING IRON ON HOUSING OPPOSITE OPENING AND SOLDER IN THE OPENING.
2.5 PLACE SOLDERING IRON ON CONTACT AND SOLDER.



- 3.0 SEAL OPENING IN HOUSING
3.1 PRESS DIELECTRIC INTO OPENING IN REAR OF HOUSING SUB-ASSY
3.2 PLACE CAP INTO OPENING IN REAR OF HOUSING SUB-ASSY AND EITHER PRESS, SOLDER, OR EPOXY INTO PLACE AS SHOWN.
3.3 CAP MAY BE INSERTED USING OPTIONAL INSTALLATION TOOL 2598-5231-10

