

Figure 1

1. INTRODUCTION

This instruction sheet covers the assembly and disassembly of 12-position unsealed MQS.

Dimensions in this instruction sheet are in metric units. Figures are not drawn to scale.

2. DESCRIPTION

The MQS consists of a housing, 0.64 crimped contacts, shield, and pin header mounted onto a pc board. Component features are shown and part numbers are given in Figure 1.

The system is assembled when the contacts are installed into the housing, the shield is installed onto the housing, and the housing (with shield) and pin header are mated.

2.1. Install Contacts

These instructions assume that the contacts are properly crimped. Install each contact as follows:

1. From the wire end of the housing, align the contact with the contact cavity, making sure that the locking lance is oriented properly as shown in Figure 2.
2. Insert the contact until the locking lance engages in the locking hole of the contact cavity. There will be an audible and tactile "click".
3. Lightly pull the wire to ensure that the contact is locked into position.

2.2. Install Shield onto Housing

1. Align the slots of the housing with the rails of the shield, making sure that the arrow of the housing points toward the shield. The arrow of the housing indicates the direction of insertion. See Figure 3.
2. Insert the housing into the shield, making sure that no wires are caught between the housing and the shield, until the stop of the housing butts against the shield. There will be an audible and tactile "click".

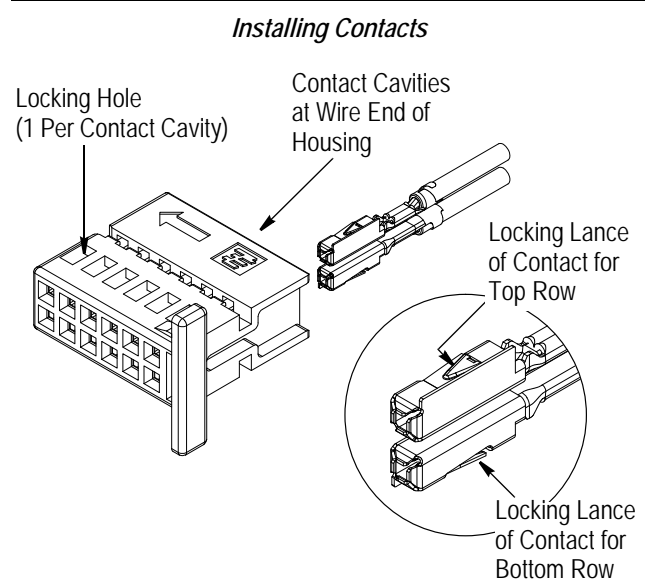


Figure 2

Installing Shield onto Housing

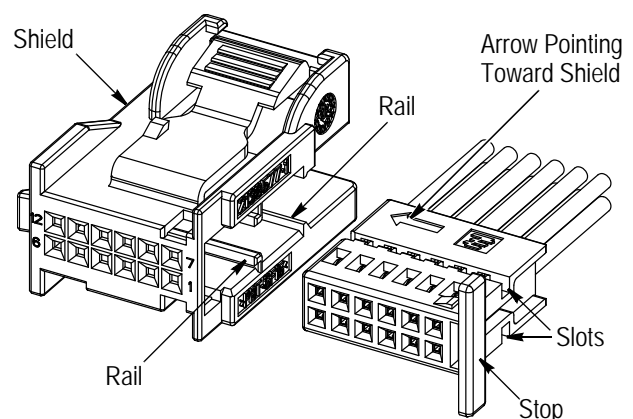


Figure 3

NOTE

If the housing does not bottom in the shield, ensure that all of the terminals are fully inserted (all locking lances are engaged in locking holes).

CAUTION

To avoid damage to the system, ensure that there are no wires between the housing and the shield.

2.3. Mate Housing (with Shield) and Pin Header

Align the mating face of the housing with the mating face of the pin header, and gently push the housing and pin header together until there is an audible and tactile “click”. Refer to Figure 4.

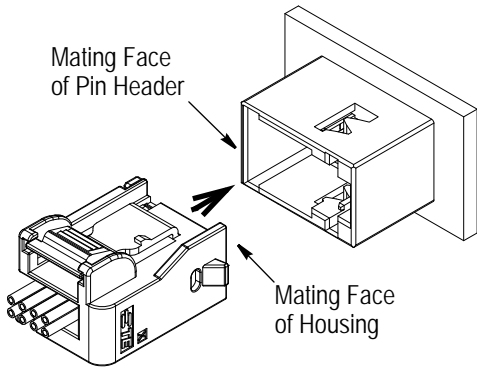


Figure 4

3. DISASSEMBLY

3.1. Unmate Housing (with Shield) and Pin Header

Depress the (front of) mating latch of the shield while supporting the bottom of the shield, then pull the shield (with the housing) and pin header apart. *Do not pull the wires or pc board* to unmate the connectors. Refer to Figure 5.

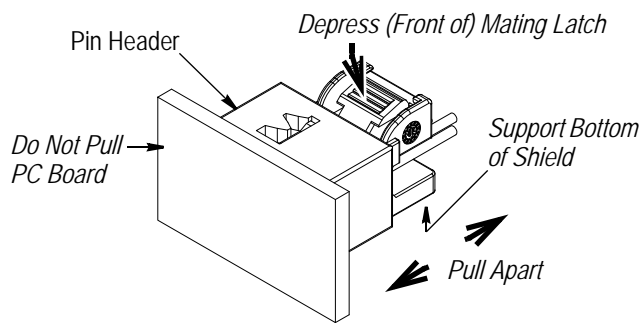


Figure 5

3.2. Remove Shield from Housing

1. Insert the tip (minimum width of 4 mm) of a screwdriver into the locking hole of the contact to be removed. Simultaneously depress the locking lance and pull the wire until the contact is free. See Figure 7.

Removing Shield from Housing

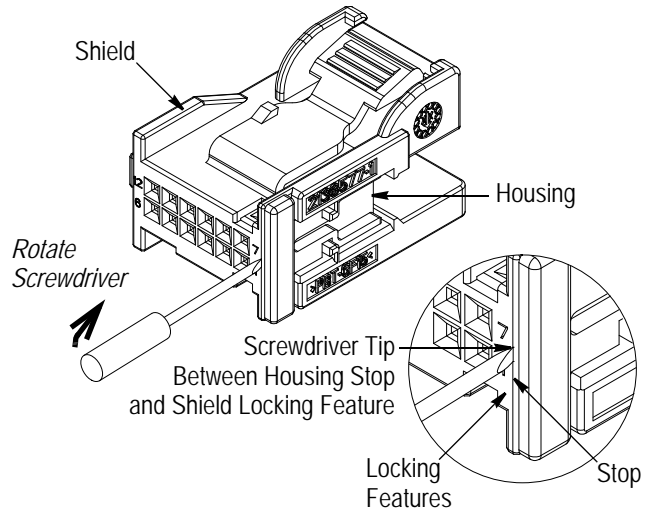


Figure 6

2. Pull the housing out of the shield, or insert the tip of the screwdriver through the opening in the shield and push the housing out.

3.3. Extract Contacts

NOTE

The housing and pin header must be unmated and the shield must be removed from the housing before any contacts can be extracted.

Insert the tip (minimum width of 4 mm) of a screwdriver into the locking hole of the contact to be removed. Simultaneously depress the locking lance and pull the wire until the contact is free. See Figure 7.

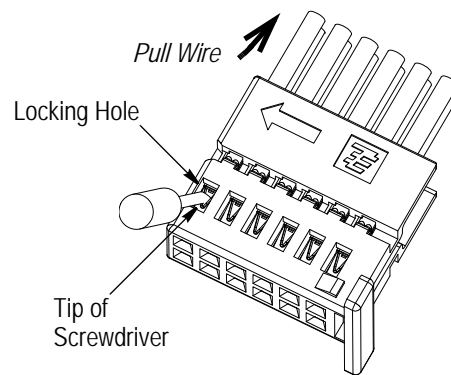


Figure 7

4. REPLACEMENT AND REPAIR

Do not use damaged or defective components. Do not re-use the contacts by removing the wire.

5. REVISION SUMMARY

Initial release of instruction sheet