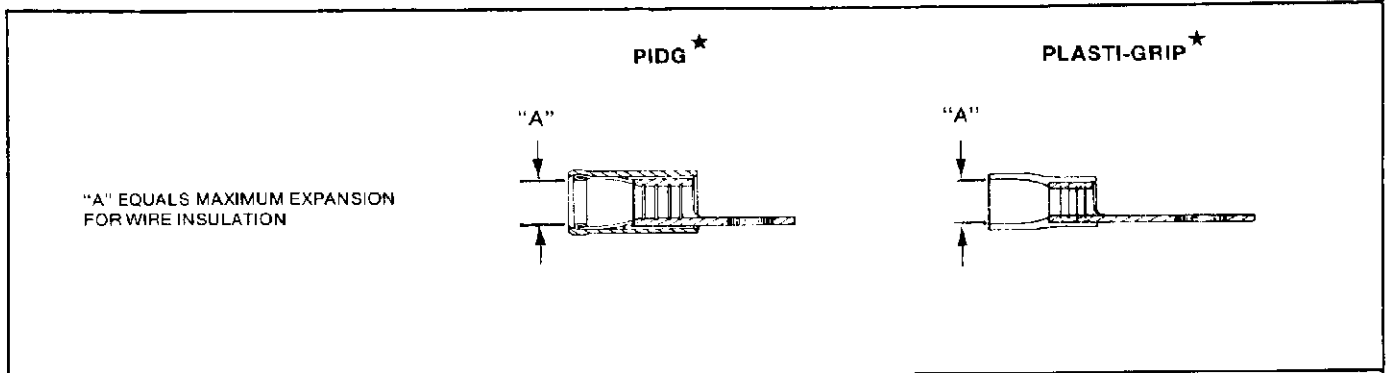




LARGE EXPANSION PRODUCTS
(For wire insulation with 1/16" and 5/64" wall thickness)

GP 2719	
RELEASED	12-27-78
REVISED	



PLASTI-GRIP (Wire range and expansion "A")	PACKAGING METHOD	RING TONGUE			SPRING SPADE		
		STUD SIZE			STUD SIZE		
		6	8	10	6	8	10
22-16 .200 Max. Exp.	LOOSE PIECE	1-34142-3	1-34144-3	2-34149-2	52949-2	52950-2	52951-2
	TAPE	2-34142-4	2-34144-4	2-34149-3	52949-3	52950-3	52951-3
16-14 .250 Max. Exp.	LOOSE PIECE	2-34158-2	2-34160-2	2-34161-2	52955-2	52956-2	52957-2
	TAPE	2-34158-3	2-34160-3	2-34161-3	52955-3	52956-3	52957-3
12-10 .300 Max. Exp.	LOOSE PIECE	2-34852-3	2-34853-5	1-330518-1	52961-2	52962-2	52963-4
	TAPE	2-34852-4	2-34853-6	2-330518-2	52961-3	52962-3	52963-5

PIDG (Wire range and expansion "A")	PACKAGING METHOD	RING TONGUE		
		STUD SIZE		
		6	8	10
16-14 HD .250 Max. Exp.	LOOSE PIECE	35634	35106	34805
	TAPE	2-35634-1	2-35106-1	2-34805-1
12-10 .300 Max. Exp.	LOOSE PIECE	324985	35605	35364
	TAPE	2-324985-1	2-35605-2	2-35364-1

WIRE RANGE	CRIMP TOOLING	
	LOOSE PIECE TOOLING (Hand Tools)	TAPE TOOLING (Dies used in machine Nos. 68075 and 69875)
22-16	68345-1	68208-1
16-14	68343-1	68207-1
16-14 HD	59239-4	69874
12-10	59287-2	69897

© Copyright 1978 by AMP Incorporated, Harrisburg, Pa. All International Rights Reserved. AMP Incorporated products covered by U.S. and Foreign Patents and/or Patents Pending.

★ Trademark of AMP Incorporated