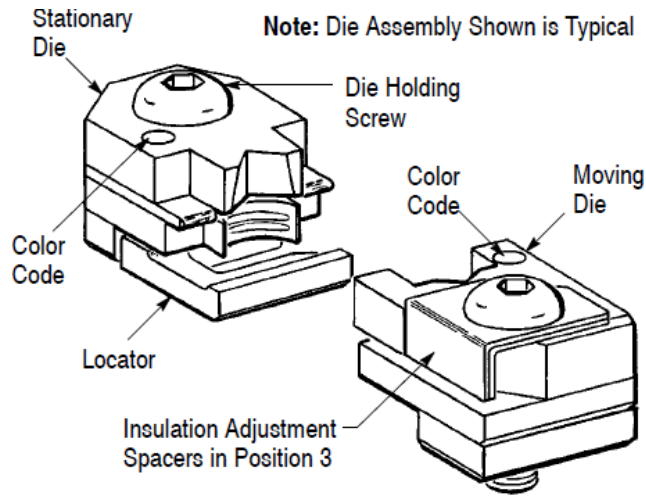


PROPER USE GUIDELINES

Cumulative trauma disorders can result from the prolonged use of manually powered hand tools. Hand tools are intended for occasional use and low volume applications. A wide selection of powered application equipment for extended-use, production operations is available.



Crimping Die Assemblies	Hand Tool	Instruction Sheet
46251-2	69710-1	408-2095
47806-2		
47807-1		
47808-5		
407808-6		
69342		
69344		
69731		
69732		
69733		
69734		
69735		

Figure 1

1. INTRODUCTION

The die assemblies listed in Figure 1 will crimp terminals and splices in multiple product families.

A. With wire sizes 26 through 10 AWG:

- PIDG* terminals and splices
- PIDG insulation restricting nylon terminals
- PIDG PTFE STRATO-THERM* terminals

B. With wire sizes 22 through 10 AWG:

- PLASTI-GRIP* terminals
- DIAMOND GRIP* terminals and splices

Reasons for reissue of this instruction sheet are provided in Section 7, REVISION SUMMARY.



NOTE

Dimensions in this instruction sheet are in millimeters [with inches in brackets]. Illustrations and figures are for reference only and are not drawn to scale.

2. DESCRIPTION

The die assembly consists of a moving die and a stationary die (see Figure 1).

The dies and the terminals and splices are color-coded according to wire size for easy identification. When the terminal and splice are properly crimped in the correct die assembly, 1 dot or 2 dots (depending on wire size) will appear embossed on the top and bottom of the terminal or splice.



NOTE

DIAMOND GRIP terminals and splices do not have a color code or crimp dot code.

3. CRIMPING PRODECURE



NOTE

The dies are coated with oil to prevent rust and corrosion. Wipe this oil from the dies, particularly from the crimping area.

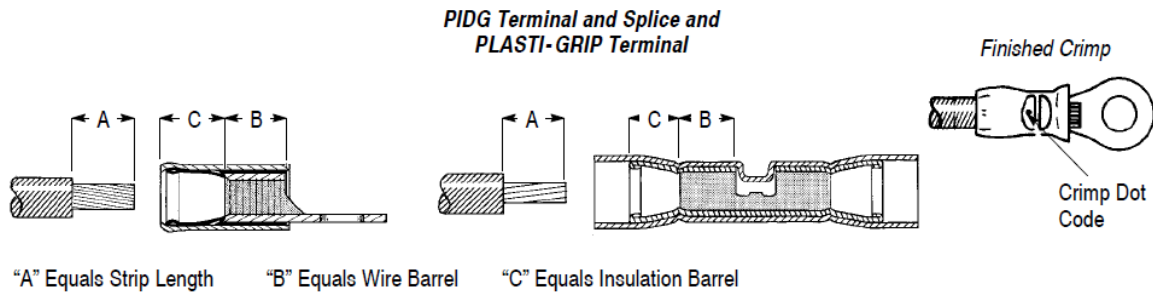
1. Install the die assembly according to the instructions included with the tool.



NOTE

Refer to Section 4 for insulation crimp adjustment.

2. Strip the wire to the dimensions provided in Figure 2, 3, 4, or 5, depending on the wire size and product to be crimped.

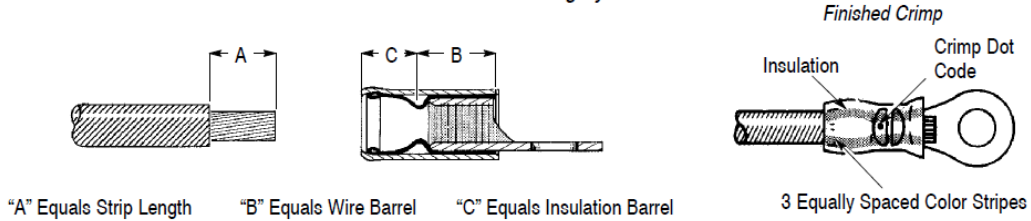


Die Assembly	Wire Size Range (AWG)	Color Code	Crimp Dot Code	Wire Strip Length			
				Terminal		Splice	
				Min	Max	Min	Max
69344	26-22	Yellow	1	3.96 [.156]	4.78 [.188]	4.37 [.172]	5.16 [.203]
69342	24-20	White	2	4.78 [.188]	5.56 [.219]	5.56 [.219]	6.35 [.250]
47806-2	22-16	Red	1	5.16 [.203]	5.94 [.234]	6.35 [.250]	7.14 [.281]
47807-1	16-14 or 20-16 HD	Blue	2				
47808-6◇	12-10	Yellow	1	7.95 [.313]	8.74 [.344]	8.74 [.344]	9.52 [.375]
47808-5◇	12-10 Lg Exp or 16-14 HD	Yellow	1			---	---

◇ Use only in Tool 69710-1

Figure 2

PIDG Insulation Restricting Nylon Terminal

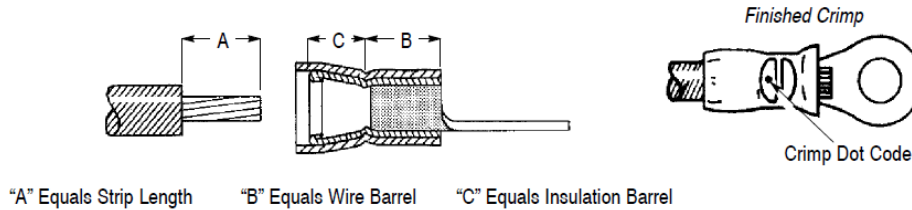


Die Assembly	Wire		Color Code	Crimp Dot Code	Terminal Insulation Color Stripe	Wire Strip Length	
	Size (AWG)	Insulation Diameter Range				Min	Max
69344	26	0.66-1.40 [.026-.055]	Yellow	1	Black	4.78 [.188]	5.56 [.219]
	24	0.79-1.40 [.031-.055]			Blue		
47806-2	22	0.97-2.79 [.038-.110]	Red	1	Green	6.35 [.250]	7.14 [.281]
	18	1.17-2.79 [.046-.110]			White		
47807-1	16	1.60-3.30 [.063-.130]	Blue	2	Blue	6.35 [.250]	7.14 [.281]
	14	1.98-3.30 [.078-.130]			Green		
47808-6◇	12	2.41-5.08 [.095-.200]	Yellow	1	Yellow	9.52 [.375]	10.31 [.406]
	10	3.02-5.08 [.119-.200]			Brown		

◇ Use only in Tool 69710-1

Figure 3

PIDG PTFE STRATO-THERM Terminals

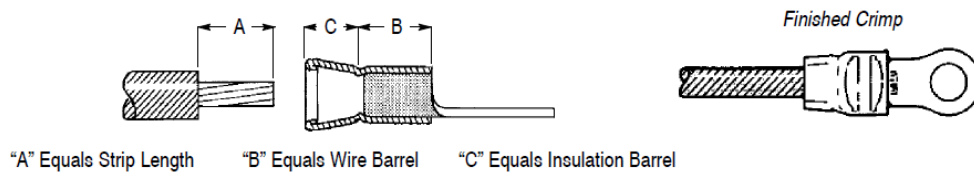


Die Assembly	Wire Size Range (AWG)	Color Code	Crimp Dot Code	Wire Strip Length	
				Min	Max
69731	26-24	Black	1	3.96 [.156]	4.78 [.188]
69732	22-20	Green	2	5.16 [.203]	5.94 [.234]
69733	18-16	Orange	1		
69734	14	White	2	7.95 [.313]	8.74 [.344]
69735	12-10	Black	1		

◇ Use only in Tool 69710-1

Figure 4

DIAMOND GRIP Terminals and Splices



Die Assembly	Wire Size Range (AWG)	Wire Strip Length			
		Terminal		Splice	
		Min	Max	Min	Max
46251-2	16-14	4.37 [.172]	5.16 [.203]	5.16 [.203]	5.94 [.234]

Figure 5

3. Place the terminal or splice in the stationary die as shown in Figure 6, 7, or 8.


NOTE

Dies will not accommodate terminals having a tongue width exceeding 11.91 [.469].

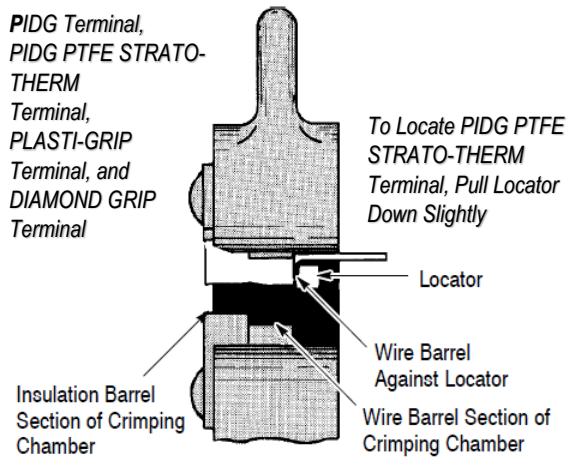


Figure 6

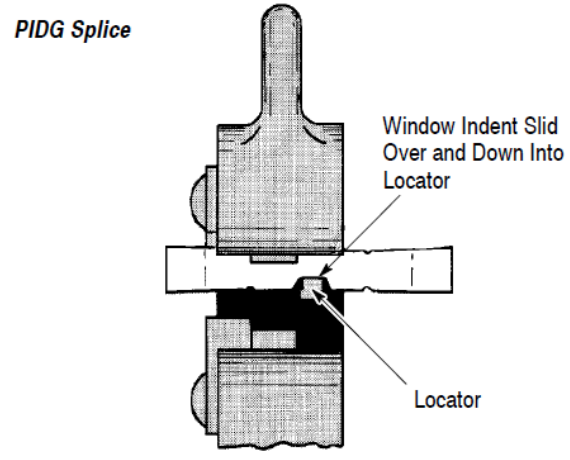


Figure 7

DIAMOND GRIP Splice

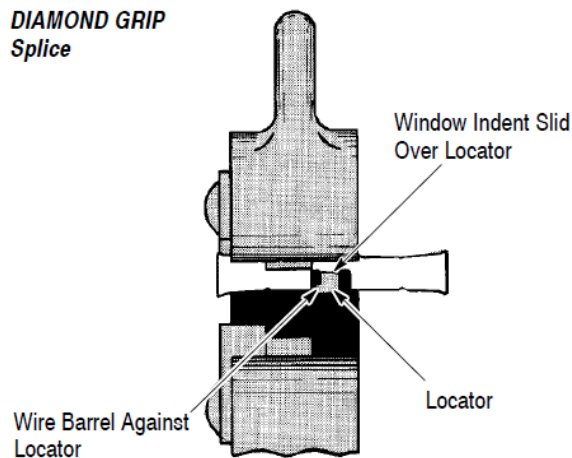


Figure 8

4. Close the tool handles until the terminal or splice is held firmly in place.
5. Insert the stripped wire into the insulation barrel, as follows:
 - Terminal: until the wire butts against the locator
 - Splice: until the wire butts against the wire stop in the splice
6. Complete the crimp by closing the tool handles until the ratchet releases.
7. Allow the handles to open fully and remove the crimped connector. If crimping a splice, proceed as follows:
 - a. Position the uncrimped insulation barrel in the stationary die (**Note**: If the splice cannot be turned, rotate the tool).
 - b. Close the handles until the splice is held firmly in place, insert the stripped wire, and complete the crimp.


CAUTION

Damaged product should not be used. If a damaged connector is evident, it should be cut from the wire and replaced with a new one. DO NOT re-terminate terminals or splices.

4. INSULATION CRIMP ADJUSTMENT

4.1. PIDG Terminals and Splices, PIDG PTFE STRATO-THERM Terminals, and DIAMOND GRIP Terminals and Splices

The insulation barrel crimping section of the moving die has three crimp positions: No. 1 (tight), No. 2 (medium), and No. 3 (loose). Adjust the insulation crimp as follows:

**NOTE**

PIDG terminals and splices and DIAMOND GRIP terminals and splices feature an “insulation grip”.

1. Turn both insulation crimp adjustment spacers so they fit into the notch in the side of the die (see Figure 1). This is the “loose” (Position No. 3) crimp setting.

**NOTE**

The moving die must be removed from the die holder to make this adjustment.

2. Insert the moving die into the die holder. Turn the die holding screw enough to hold the die firmly in place. **DO NOT** tighten the die holding screw at this time.
3. Insert an UNSTRIPPED wire into **ONLY** the insulation barrel of the terminal or splice.
4. Make a test crimp. Close the moving die on the terminal or splice and hold the moving die in the bottomed position. Tighten the die holding screw while the dies are bottomed, then complete the crimping cycle.
5. Remove the terminal or splice from the dies, and check the insulation grip by bending the wire back and forth **ONCE**. The terminal sleeve should retain the grip on the wire insulation. If the wire pulls out, set the insulation crimp adjustment to the next tighter position as follows:
 - a. Remove the moving die from the die holder.
 - b. Turn the lower insulation adjustment spacer 90 degrees so it fits between the moving die and the die holder. **Note:** No. 2 will appear on the corner of the spacer.
 - c. Repeat the test crimp and adjust the moving die as necessary until the desired insulation grip is obtained.
6. With both adjustment spacers placed between the moving die and the die holder, the die is set in the tightest insulation crimping position. **Note:** No. 1 will appear on the corner of the top spacer.

4.2. PLASTI-GRIP Terminal

The insulation crimping section of the moving die has three crimp positions: No. 1 (tight), No. 2 (medium), and No. 3 (loose).

Adjust the insulation crimp as follows:

**NOTE**

PLASTI-GRIP terminals feature a wire insulation support only.

1. Use Position No. 3 for wire having a large insulation diameter. Remove the moving die from the die holder. Turn both insulation adjustment spacers so that they fit into the notch in the side of the die (see Figure 1).
2. Use Position No. 2 for wire having a medium insulation diameter. Remove the moving die from the die holder. Turn the lower insulation adjustment spacer 90 degrees so that it fits between the moving die and the die holder. **Note:** No. 2 will appear on the corner of the spacer nearest the color code dot.
3. Use Position No. 1 for wire having a small insulation diameter. Turn both insulation adjustment spacers so they will fit between the moving die and the die holder. **Note:** No. 1 will appear on the corner of the top spacer nearest the color dot code.

5. MAINTENANCE AND INSPECTION

A maintenance and inspection program should be performed periodically. It is recommended that initial frequency of inspection be performed once a month. The frequency of an inspection is dependent upon:

- The care, amount of use, and handling of the dies,
- Type and size of the products applied,
- Degree of operator skill,
- Presence of abnormal amounts of dust and dirt, and
- Your own established standards.

Each die assembly is inspected before shipment. It is recommended that the die assembly be inspected immediately upon arrival at your facility to ensure that it conforms to the dimensions provided in the customer drawings and that it has not been damaged during shipment.

5.1. Cleaning

Do not allow deposits of dirt, grease, and foreign matter to accumulate in the die closure area and on the bottoming surfaces of the dies. These deposits may prevent the dies from bottoming fully and may also cause excessive wear in the die closure surfaces, thereby affecting the quality of the crimp. Clean the dies frequently with a soft cloth.

5.2. Visual Inspection

Visually inspect the die closure surfaces for broken, chipped, or pitted conditions. Although dies may gage within permissible limits, worn or damaged die closure surfaces are objectionable and can affect the quality of the crimp. Examples of possible damaged die surfaces are shown in Figure 9.

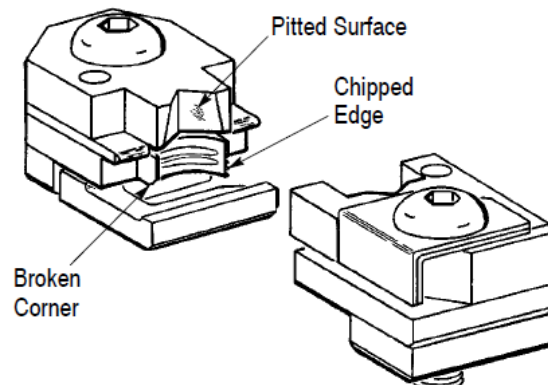


Figure 9

5.3. Gaging the Crimping Chamber

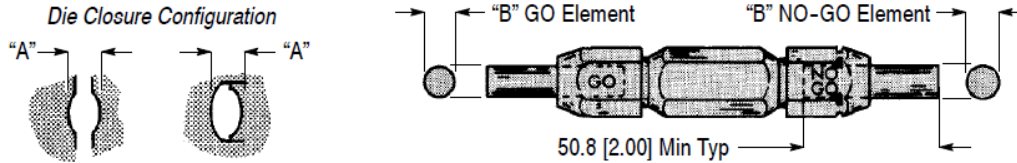
This inspection requires the use of plug gages conforming to the dimensions provided in Figure 10. To gage the crimping chamber, proceed as follows:

1. Remove traces of oil or dirt from the crimping chamber and plug gage members.
2. Turn both insulation crimp adjustment spacers so they fit into the notch in the side of the die (see Figure 1). This is the "loose" (Position No. 3) crimp setting. This will provide access to the wire barrel section of the crimping chamber for plug gaging.
3. Insert both dies in the tool die holders.
4. For the hand tool, close the handles of the tool until the dies bottom. DO NOT apply additional pressure to the tool handles. Actuate the tool until the dies bottom.

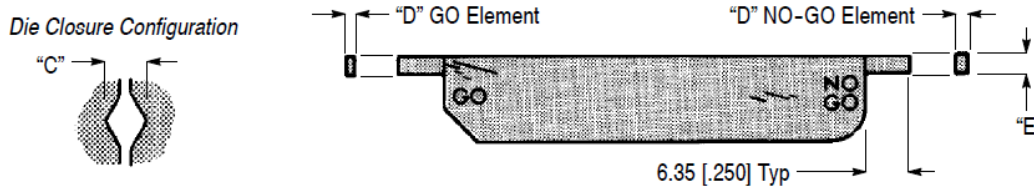


CAUTION

If using a pneumatic tool, reduce the air supply pressure to a range between 15 and 20 psi [103.4 and 137.9 kpa] before actuating the tool.



DIE ASSEMBLY	DIE CLOSURE DIM. "A"† (Set Insulation Adjustment Spacers at Position 3)		GAGE MEMBER‡ DIM. "B" DIAMETER	
	GO	NO-GO	GO	NO-GO
46251-2	2.032 [.0800]	2.184 [.0860]	2.032-2.040 [.0800-.0803]	2.182-2.184 [.0859-.0860]
47806-2	2.769 [.1090]	2.921 [.1150]	2.769-2.776 [.1090-.1093]	2.918-2.921 [.1149-.1150]
47807-1	3.023 [.1190]	3.175 [.1250]	3.023-3.030 [.1190-.1193]	3.172-3.175 [.1249-.1250]
47808-5	4.293 [.1690]	4.445 [.1750]	4.293-4.300 [.1690-.1693]	4.442-4.445 [.1749-.1750]
47808-6	4.293 [.1690]	4.445 [.1750]	4.293-4.300 [.1690-.1693]	4.442-4.445 [.1749-.1750]
69342	2.261 [.0890]	2.413 [.0950]	2.261-2.268 [.0890-.0893]	2.410-2.413 [.0949-.0950]
69344	1.600 [.0630]	1.753 [.0690]	1.600-1.608 [.0630-.0633]	1.750-1.752 [.0689-.0690]
69731	2.286 [.0900]	2.388 [.0940]	2.286-2.294 [.0900-.0903]	2.385-2.388 [.0939-.0940]
69732	2.642 [.1040]	2.616 [.1080]	2.642-2.649 [.1040-.1043]	2.741-2.743 [.1079-.1080]
69733	3.302 [.1300]	3.404 [.1340]	3.302-3.310 [.1300-.1303]	3.401-3.404 [.1339-.1340]
69734	3.810 [.1500]	3.912 [.1540]	3.810-3.818 [.1500-.1503]	3.909-3.912 [.1539-.1540]
69735■	4.928 [.1940]	5.029 [.1980]	4.928-4.935 [.1940-.1943]	5.027-5.029 [.1979-.1980]



DIE ASSEMBLY	DIE CLOSURE DIM. "C"† (See Insulation Adjustment Spacers at Position 1)		GAGE MEMBER‡ DIM. "D" DIAMETER		DIM. "E" WIDTH (Max)
	GO	NO-GO	GO	NO-GO	
46251-2	0.762 [.0300]	1.270 [.0500]	0.762-0.770 [.0300-.0303]	1.267-1.270 [.0499-.0500]	3.18 [.125]
47806-2	0.762 [.0300]	1.270 [.0500]	0.762-0.770 [.0300-.0303]	1.267-1.270 [.0499-.0500]	3.18 [.125]
47807-1	1.016 [.0400]	1.524 [.0600]	1.016-1.024 [.0400-.0403]	1.521-1.524 [.0599-.0600]	4.75 [.187]
47808-5	1.626 [.0640]	2.134 [.0840]	1.626-1.633 [.0640-.0643]	2.131-2.134 [.0839-.0840]	4.34 [.171]
47808-6	1.626 [.0640]	2.134 [.0840]	1.626-1.633 [.0640-.0643]	2.131-2.134 [.0839-.0840]	4.34 [.171]
69342	0.762 [.0300]	1.270 [.0500]	0.762-0.770 [.0300-.0303]	1.267-1.270 [.0499-.0500]	3.18 [.125]
69344	0.762 [.0300]	1.270 [.0500]	0.762-0.770 [.0300-.0303]	1.267-1.270 [.0499-.0500]	3.18 [.125]
69731	0.762 [.0300]	1.270 [.0500]	0.762-0.770 [.0300-.0303]	1.267-1.270 [.0499-.0500]	3.18 [.125]
69732	0.762 [.0300]	1.270 [.0500]	0.762-0.770 [.0300-.0303]	1.267-1.270 [.0499-.0500]	3.18 [.125]
69733	0.762 [.0300]	1.270 [.0500]	0.762-0.770 [.0300-.0303]	1.267-1.270 [.0499-.0500]	3.18 [.125]
69734	1.016 [.0400]	1.524 [.0600]	1.016-1.024 [.0400-.0403]	1.521-1.524 [.0599-.0600]	4.75 [.187]
69735	1.626 [.0640]	2.134 [.0840]	1.626-1.633 [.0640-.0643]	2.131-2.134 [.0839-.0840]	4.34 [.171]

■ See Paragraph 5.3, Step 5 †Die closure dimensions apply when dies are bottomed, but not under pressure. ‡Material - tool steel.

Figure 10

5. If the position of the locator and the insulation barrel section of the crimping chamber prevent gaging the wire barrel section of the crimping chamber, remove the die assembly from the hand tool, and rotate the locator 180 degrees. This will allow access to the wire barrel section. The die assembly can then be placed in a vise (using light pressure) for gaging.
6. With the wire barrel crimping section of the dies bottomed, check the wire barrel section using the proper plug gage. Hold the gage in a straight alignment with the crimping chamber and carefully insert (without forcing) the GO member, and then the NO-GO member (reference Figure 11 – *Wire Barrel*).
 - The GO member must pass completely through the crimping chamber.
 - The NO-GO member may enter partially, but must not pass completely through the wire barrel section of the crimping chamber.

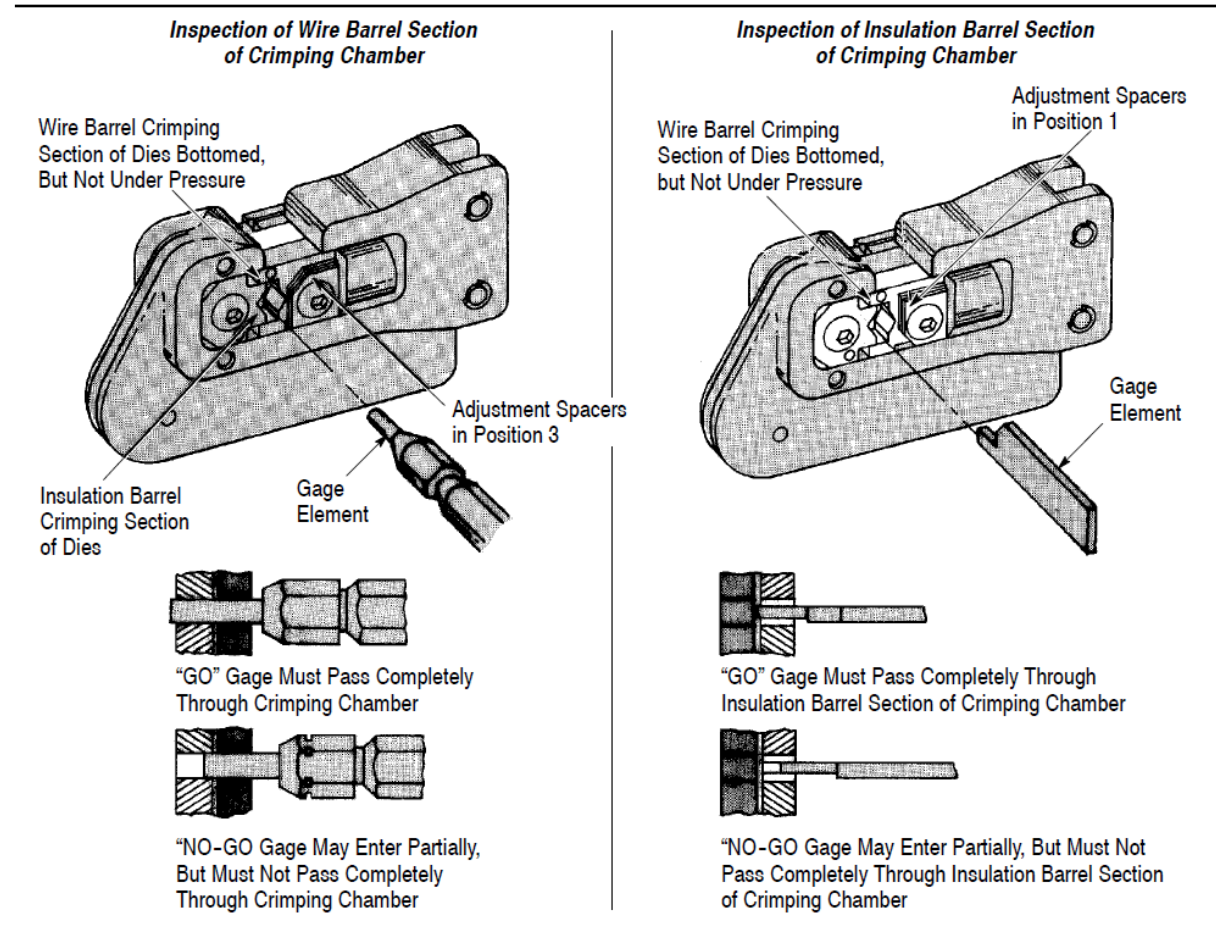


Figure 11

7. Remove the moving die from the tool die holder.
8. Reposition the insulation adjustment spacers to the No. 1 position (reference Section 4 for insulation crimp position adjustment procedures).
9. Insert the moving die into the tool die holder.
10. With the wire barrel crimping section of the dies bottomed, check the insulation barrel section of the crimping chamber using the proper plug gage in the same manner as step 6 (reference Figure 11 – *Insulation Barrel*).

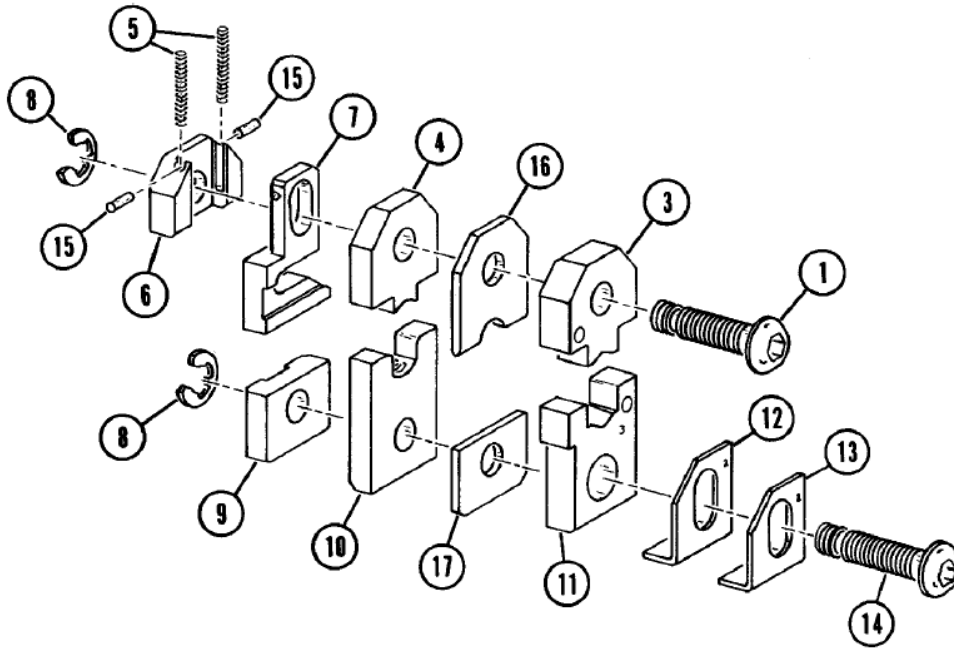
If the crimping chamber conforms to the gage inspection, the dies may be considered dimensionally correct and should be lubricated with a THIN coat of any good SAE 20 motor oil. If the crimping chamber DOES NOT conform to the gage inspection, the dies must be returned for further evaluation and repair.

6. REPLACEMENT AND REPAIR

Customer-replaceable parts are listed in Figure 12. A complete inventory should be stocked and controlled to prevent lost time when replacement of parts is necessary. Parts other than those listed should be replaced by TE Connectivity to ensure quality and reliability. Order replacement parts through your TE representative, or call 1-800-526-5142, or send a facsimile of your purchase order to 717-986-7605, or write to:

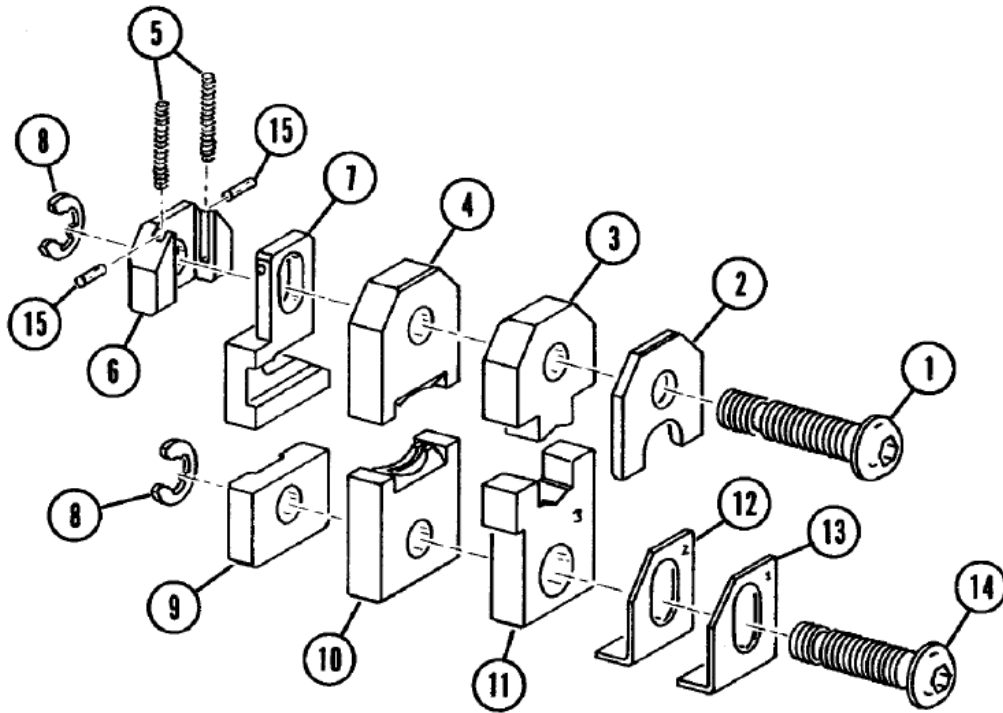
CUSTOMER SERVICE (038-035)
 TE CONNECTIVITY CORPORATION
 PO BOX 3608
 HARRISBURG PA 17105-3608

For customer repair service, call 1-800-526-5136



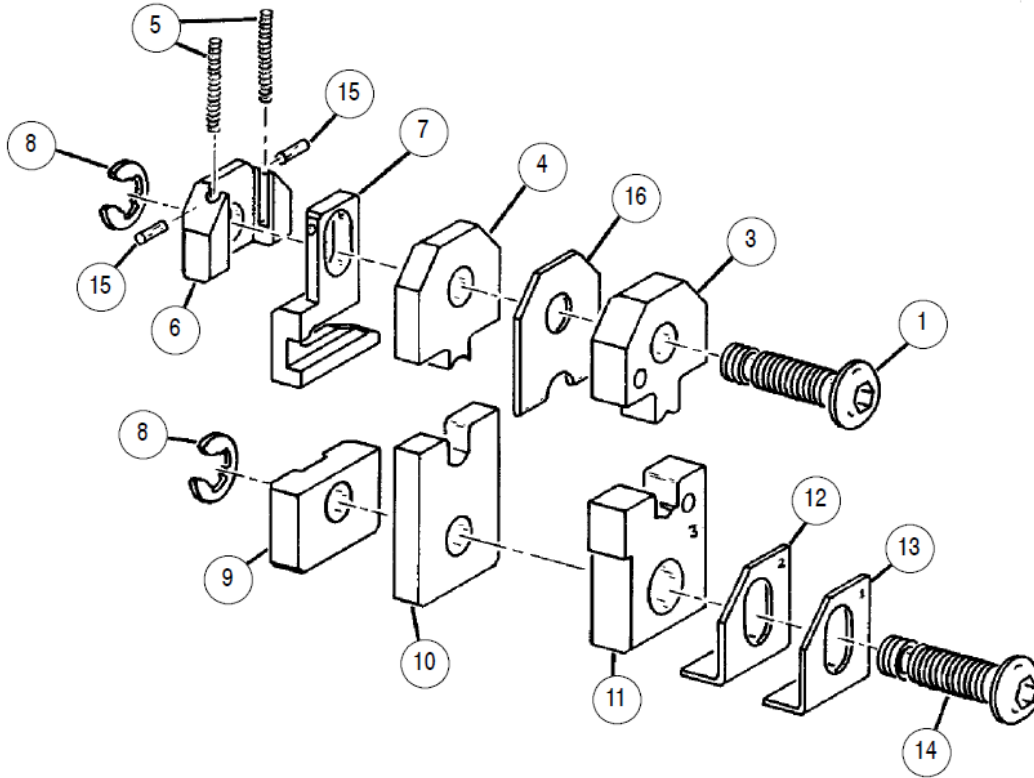
ITEM	DESCRIPTION	PART NUMBER FOR DIE ASSEMBLY			QTY PER DIE ASSEMBLY
		47806-2	47807-1	47808-5	
1	SCREW, Special	2-306131-1	2-306131-1	306105-7	1
3	ANVIL, Insulation	306031-5	306031-4	306031-8	1
4	ANVIL, Wire Barrel	1-306028-2	1-306028-1	2-306028-0	1
5	SPRING	7-59683-4	7-59683-4	7-59683-4	2
6	HOUSING, Locator	2-305832-9	2-305832-9	2-305832-9	1
7	LOCATOR	2-304052-8	2-304052-9	3-304052-0	1
8	RING, Retaining	1-21046-3	1-21046-3	1-21046-3	2
9	SPACER, Lower	2-305832-8	2-305832-8	2-305832-8	1
10	INDENTER, Wire Barrel	1-306029-2	1-306029-1	2-306029-0	1
11	INDENTER, Insulation	306030-5	306030-4	306030-8	1
12	SPACER, Insulation Adjustment	306027-7	306027-7	1-306027-1	1
13	SPACER, Insulation Adjustment	306027-6	306027-6	1-306027-4	1
14	SCREW, Special	306131-9	306131-9	2-306131-5	1
15	PIN, Coiled Spring	21949-1	21949-1	21949-1	2
16	PLATE, Alignment	125152-2	125152-2	125152-8	1
17	SPACER	3-305832-1	3-305832-1	306192-4	1

Figure 12a



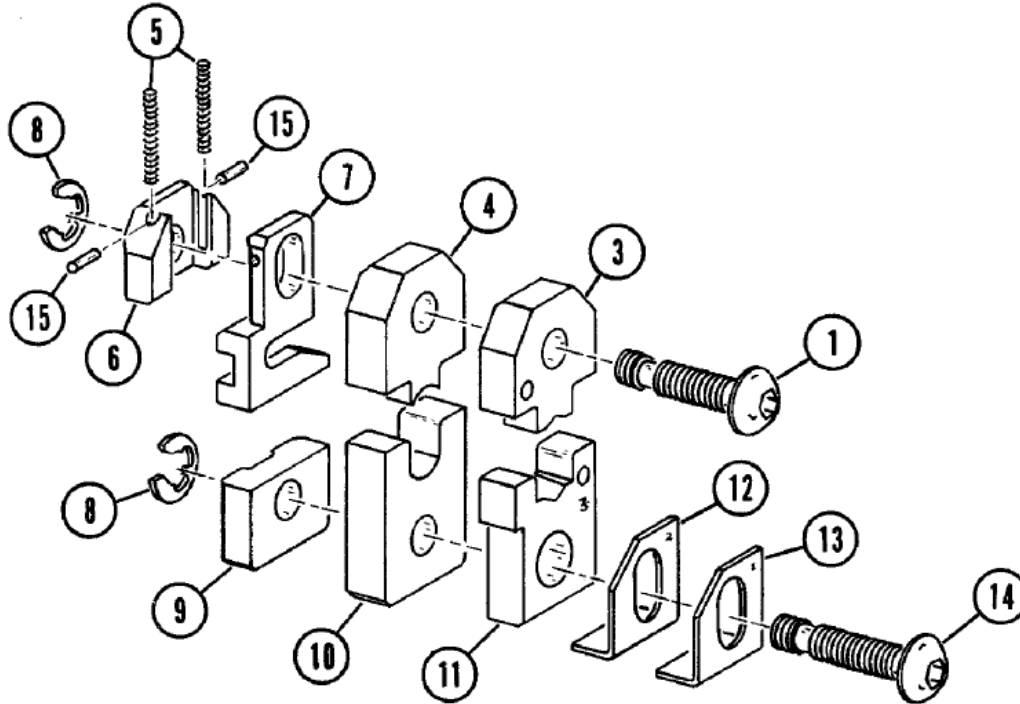
ITEM	DESCRIPTION	PART NUMBER FOR DIE ASSEMBLY 46251-2	QTY PER DIE ASSEMBLY
1	SCREW, Special	3-306624-0	1
2	PLATE, Guide	305549-1	1
3	ANVIL, Insulation	45933-8	1
4	ANVIL, Wire Barrel	306244-6	1
5	SPRING	7-59683-4	2
6	HOUSING, Locator	2-305832-9	1
7	LOCATOR	6-304052-4	1
8	RING, Retaining	1-21046-3	2
9	SPACER, Lower	2-305832-8	1
10	INDENTER, Wire Barrel	306245-2	1
11	INDENTER, Insulation	45970-4	1
12	SPACER, Insulation Adjustment	306027-7	1
13	SPACER, Insulation Adjustment	306027-6	1
14	SCREW, Special	306131-9	1
15	PIN, Coiled Spring	21949-1	2

Figure 12b



ITEM	DESCRIPTION	PART NUMBER FOR DIE ASSEMBLY			QTY PER DIE ASSEMBLY
		47808-6	69342	69344	
1	SCREW, Special	2-306131-2	306105-9	1-306131-1	1
3	ANVIL, Insulation	1-45932-9	2-45932-0	59628-3	1
4	ANVIL, Wire Barrel	2-306028-0	3-45904-3	2-45904-3	1
5	SPRING	7-59683-4	7-59683-4	7-59683-4	2
6	HOUSING, Locator	2-305832-9	2-305832-9	2-305832-9	1
7	LOCATOR	3-304052-0	3-304052-1	2-304052-6	1
8	RING, Retaining	1-21046-3	1-21046-3	1-21046-3	2
9	SPACER, Lower	2-305832-8	2-305832-8	2-305832-8	1
10	INDENTER, Wire Barrel	2-306029-0	1-45907-6	1-306029-0	1
11	INDENTER, Insulation	306030-6	306030-1	306030-2	1
12	SPACER, Insulation Adjustment	1-306027-0	306027-1	306027-1	1
13	SPACER, Insulation Adjustment	306027-9	306027-2	306027-2	1
14	SCREW, Special	306105-7	2-306131-1	1-306131-1	1
15	PIN, Coiled Spring	21949-1	21949-1	21949-1	2
16	PLATE, Alignment	125152-3	125152-3	125152-3	1

Figure 12c



ITEM	DESCRIPTION	PART NUMBER DIE ASSEMBLY					QTY PER DIE ASSEMBLY
		69731	69732	69733	69734	69735	
1	SCREW, Special	3-306131-3	2-306131-1	1-306131-6	1-306131-6	3-306131-4	1
3	ANVIL, Insulation	2-45932-8	1-45932-6	1-45932-7	1-45932-8	1-45932-9	1
4	ANVIL, Wire Barrel	3-45904-1	1-45904-8	1-45904-9	2-45904-0	2-45904-1	1
5	SPRING	7-59683-4	7-59683-4	7-59683-4	7-59683-4	7-59683-4	2
6	HOUSING, Locator	2-305832-9	2-305832-9	2-305832-9	2-305832-9	2-305832-9	1
7	LOCATOR	59737-2	59737-2	59737-3	59737-4	59737-5	1
8	RING, Retaining	1-21046-3	1-21046-3	1-21046-3	1-21046-3	1-21046-3	2
9	SPACER, Lower	2-305832-8	2-305832-8	2-305832-8	2-305832-8	2-305832-8	1
10	INDENTER, Wire Barrel	1-45907-5	1-45907-0	1-45907-1	1-45907-2	1-45907-3	1
11	INDENTER, Insulation	2-45931-7	2-45931-1	2-45931-2	2-45931-3	2-45931-4	1
12	SPACER, Insulation Adjustment	1-306027-6	1-306027-6	306027-7	306027-7	1-306027-0	1
13	SPACER, Insulation Adjustment	1-306027-5	1-306027-5	306027-6	306027-6	306027-9	1
14	SCREW, Special	1-306131-1	1-306131-6	1-306105-1	1-306105-1	2-306131-3	1
15	PIN, Coiled Spring	21949-1	21949-1	21949-1	21949-1	21949-1	2

Figure 12d

7. REVISION SUMMARY

- Changed terminal name from PIDG STRATO-THERM to PIDG PTFE STRATO-THERM (5 places).
- Updated format, logo and enterprise name
- Moved some figures due to formatting changes (only Figure 12 was renumbered).
- Corrected Figure references in paragraph 5.3.6. and 5.3.10.
- Corrected Section reference in paragraph 3; 2nd NOTE and paragraph 5.3.8.