



AMP★ PANEL INSULATING BUSHINGS
PART NOS. 330620 & 227071-1
FOR BNC & TNC BULKHEAD JACKS

IS 1576	
RELEASED	8-15-63
REVISED	10-1-81

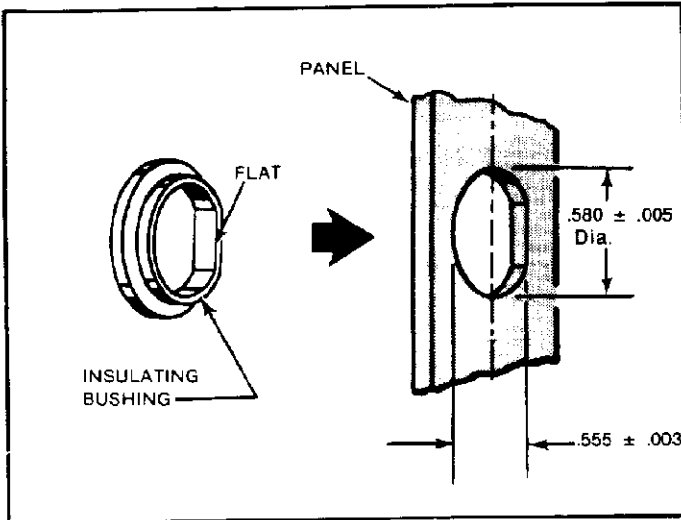


Figure 1

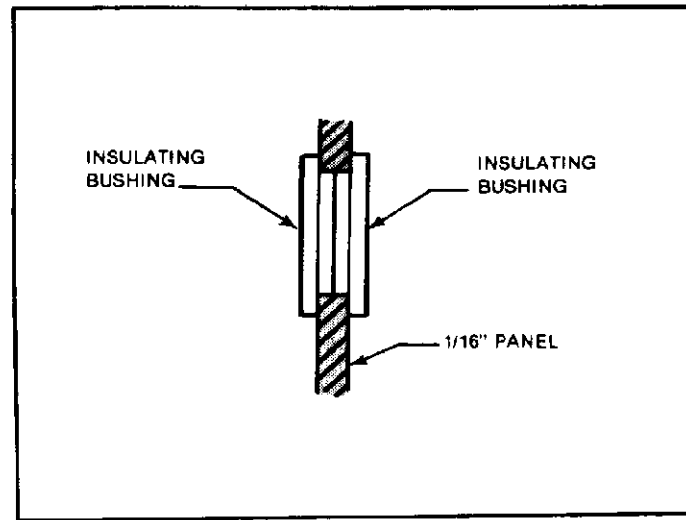


Figure 2

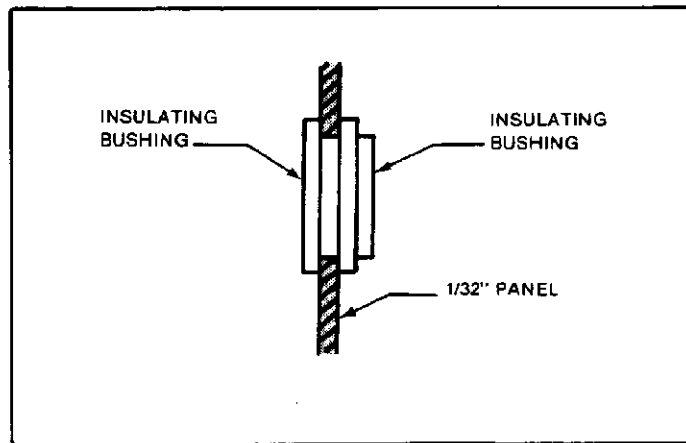


Figure 3

1. INTRODUCTION

The AMP Panel Insulating Bushings are used for ground isolation when mounting BNC and TNC bulkhead jacks. Two bushings are required for each bulkhead jack used. P/N 227071-1 has two inside flats to accommodate the flats on certain BNC/TNC bulkhead jacks.

Panel thicknesses for both bushings are 1/16" and 1/32".

2. INSTALLATION INSTRUCTIONS

- (a) Punch D-shaped hole in panel. See Figure 1 for panel cutout dimensions.
- (b) For panel with 1/16" thickness, assemble bushings as shown in Figure 2.
- (c) For panel with 1/32" thickness, assemble bushings as shown in Figure 3.

© Copyright 1981 by AMP Incorporated, Harrisburg, Pa. All International Rights Reserved. AMP Incorporated products covered by U.S. and Foreign Patents and/or Patents Pending.