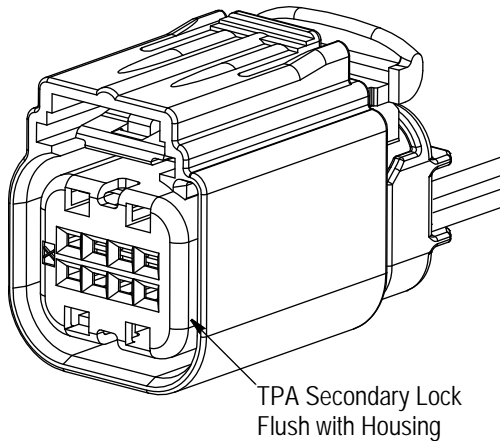


Detail A — Pre-Latch Position



Detail B — Full-Lock Position

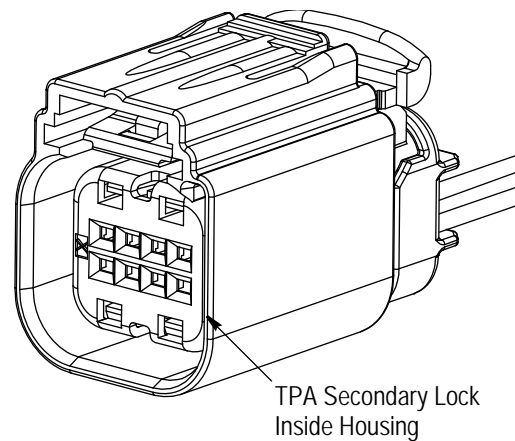


Figure 1

1. INTRODUCTION

Each sealed plug connector assembly is supplied with a red spacer referred to as the terminal position assurance (TPA) secondary lock in the pre-latch position as shown in Figure 1, Detail A. If the TPA secondary lock is displaced to the full-lock position as shown in Figure 1, Detail B, proceed with the following.

2. POSITIONING TPA SECONDARY LOCK

1. Insert the tip of Extraction Tool 3-1579007-6 (or a small jeweler's screwdriver) into the small slot on the edge in the center of the TPA secondary lock.
2. Rotate the tool toward the connector assembly to disengage the TPA secondary lock and move it to the pre-latch position. See Figure 2.

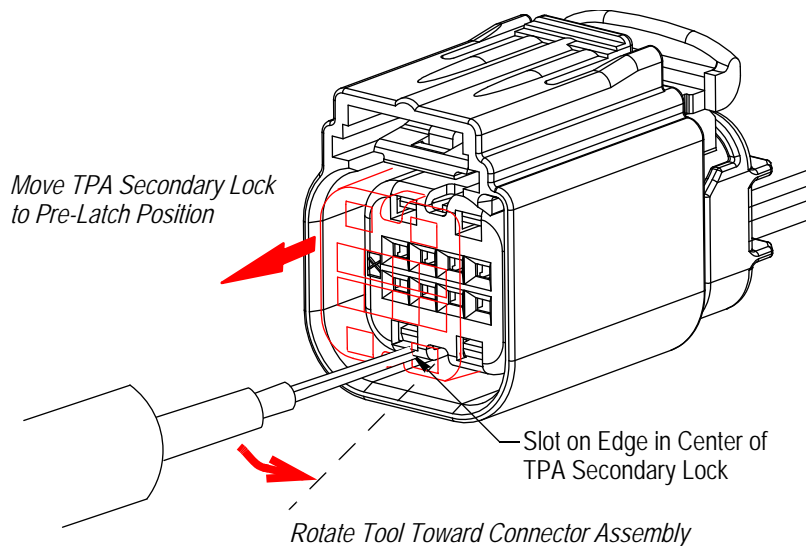


Figure 2

3. REVISION SUMMARY

Revisions to this instruction sheet include:

- Changed company name and logo