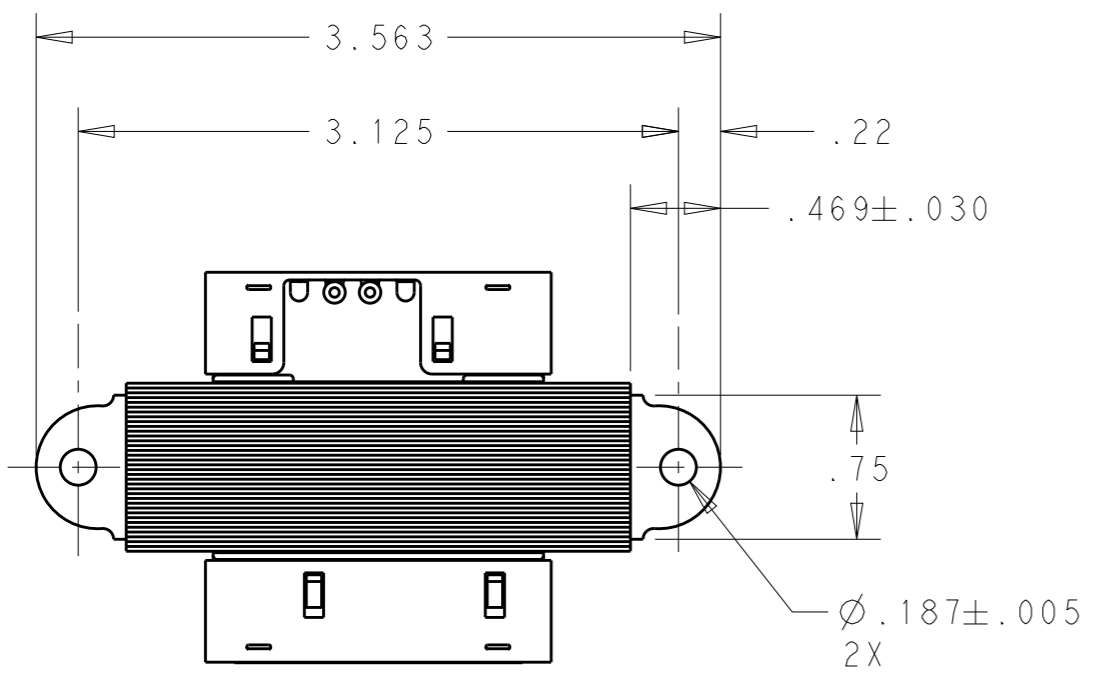


THIS DRAWING IS UNPUBLISHED. RELEASED FOR PUBLICATION 20  
 © COPYRIGHT 20 BY - ALL RIGHTS RESERVED.

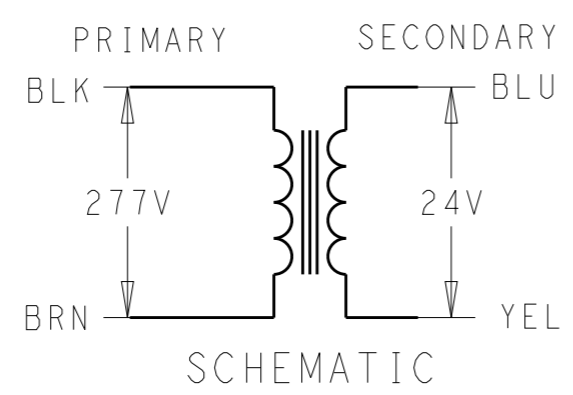
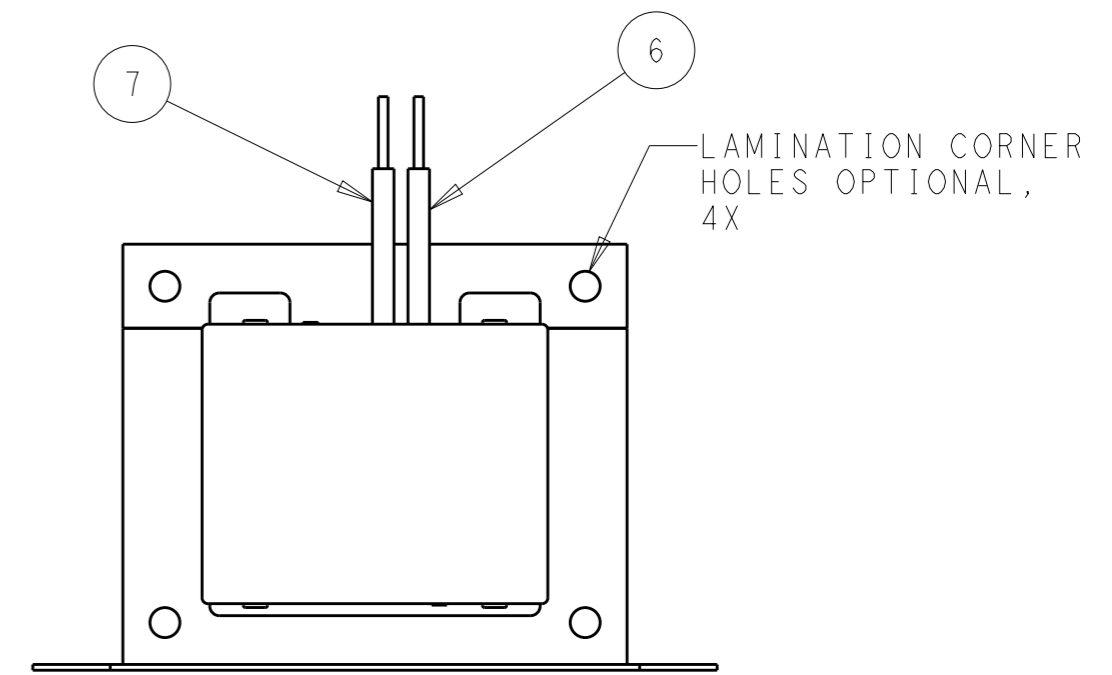
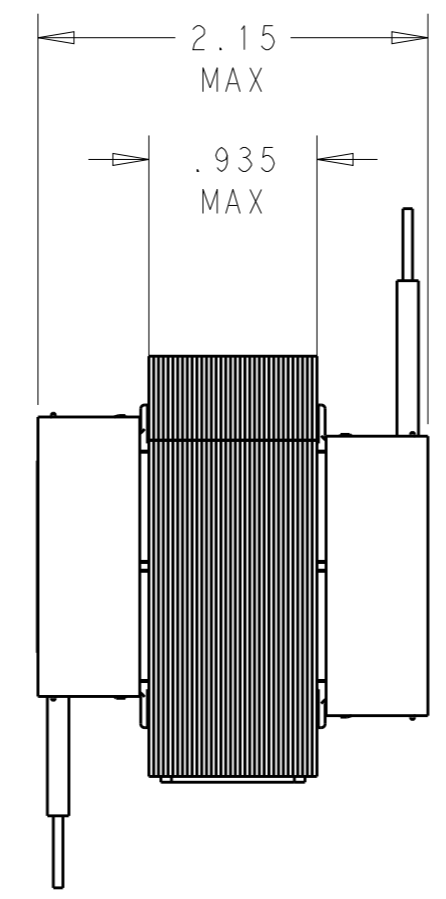
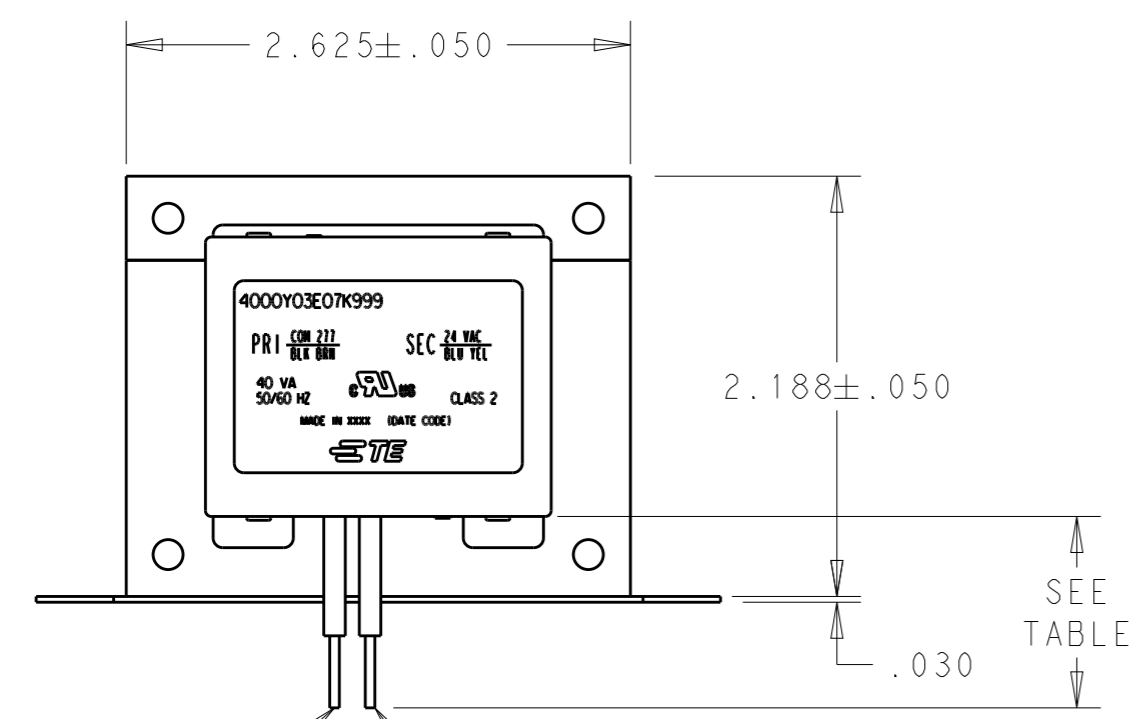
REVISIONS				
P	LTR	DESCRIPTION	DATE	APVD
B		ECR-18-016020	19AUG2019	VS DB



CERTIFICATION: UL & CUL FILE NO. E87824

PRIMARY			SECONDARY		
LEAD NO.	1	2	LEAD NO.	6	7
VOLTAGE	COM	277	VOLTAGE	24	VAC
COLOR	BLK	BRN	COLOR	BLU	YEL
LENGTH	12.0	12.0	LENGTH	12.0	12.0
STRIP LENGTH	.50	.50	STRIP LENGTH	.50	.50

1. ALL LEADS ARE 18AWG UNLESS OTHERWISE SPECIFIED AND HAVE A TOLERANCE OF +1.0/-0
2. STRIP TOLERANCE IS ±1/32.
3. WINDING PROTECTION: INHERENTLY LIMITING.



9-1611456-4  
TE PART NO.

THIS DRAWING IS A CONTROLLED DOCUMENT.

DWN	VIC SLACK	17OCT2018	TE Connectivity NAME TRANSFORMER OUTLINE
CHK	D. BLOESCH	17OCT2018	
APVD	D. BLOESCH	17OCT2018	
PRODUCT SPEC	-	-	
APPLICATION SPEC	-	-	RESTRICTED TO
WEIGHT	-	-	SIZE A3
CUSTOMER DRAWING	SCALE 1:1	SHEET 1 OF 1	REV B

DIMENSIONS: INCHES TOLERANCES UNLESS OTHERWISE SPECIFIED:  
 0 PLC ±-  
 1 PLC ±.1  
 2 PLC ±.03  
 3 PLC ±.015  
 4 PLC ±-  
 ANGLES ±-

MATERIAL - FINISH -

SIZE A3 CAGE CODE - DRAWING NO. C-4000Y03E07K999