

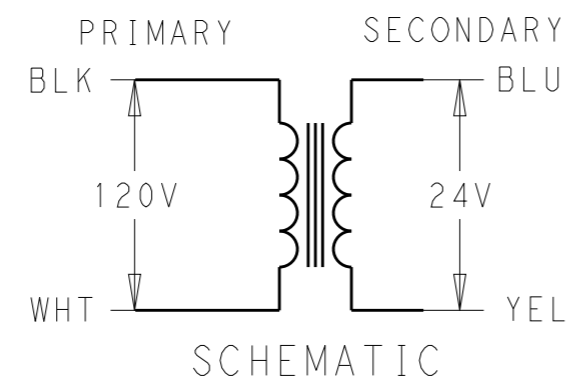
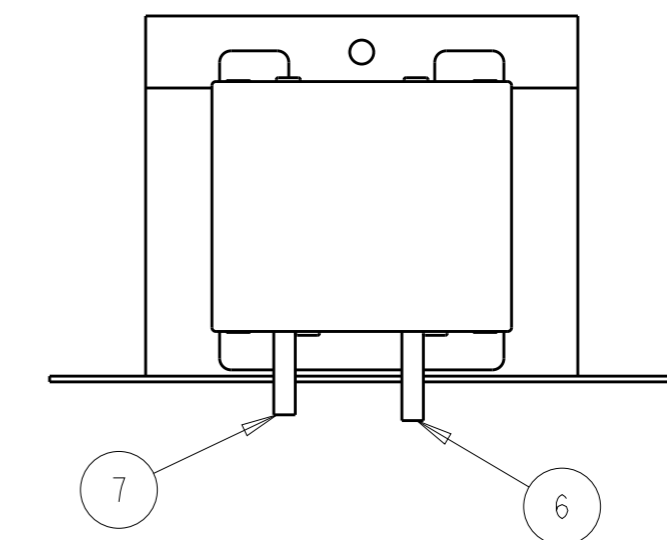
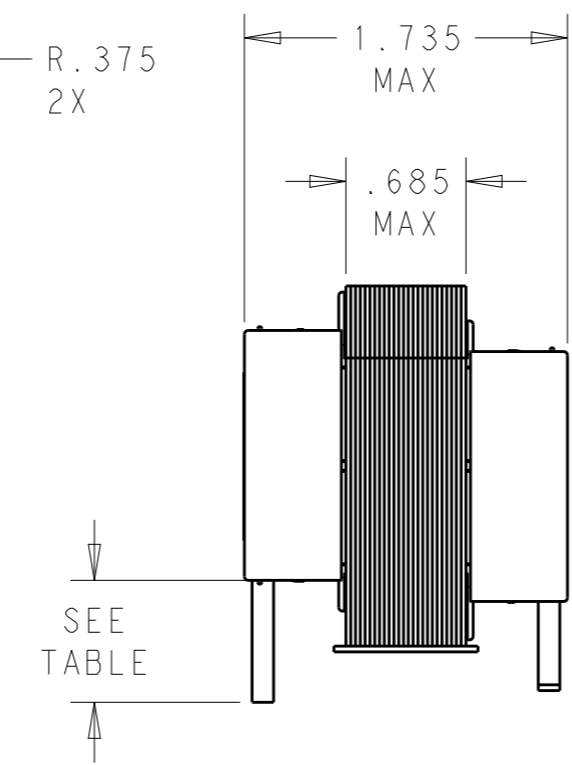
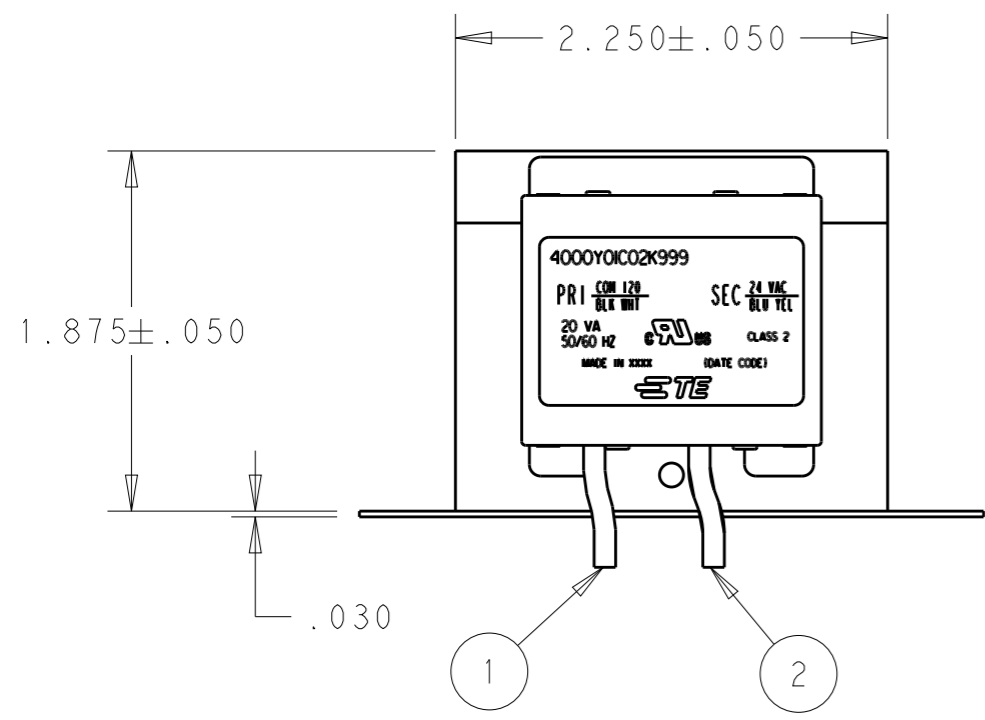
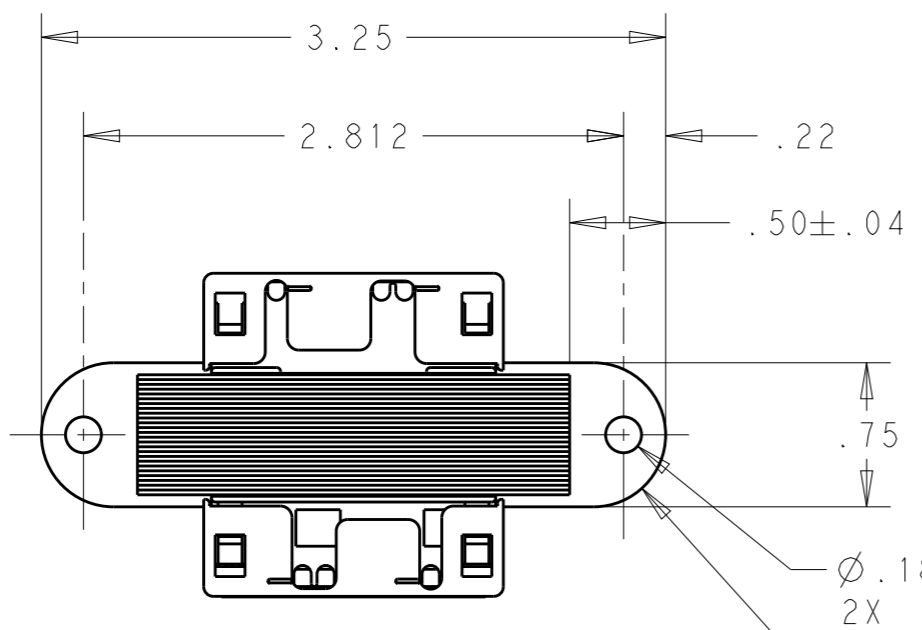
THIS DRAWING IS UNPUBLISHED. RELEASED FOR PUBLICATION 20
 © COPYRIGHT 20 BY - ALL RIGHTS RESERVED.

REVISIONS				
P	LTR	DESCRIPTION	DATE	APVD
A		ECR-17-007105	12OCT2017	VS DB

CERTIFICATION: UL & CUL FILE NO. E87824

PRIMARY			SECONDARY		
LEAD NO.	1	2	LEAD NO.	6	7
VOLTAGE	COM	120	VOLTAGE	24	VAC
COLOR	BLK	WHT	COLOR	BLU	YEL
LENGTH	12.0	12.0	LENGTH	12.0	12.0
STRIP LENGTH	.50	.50	STRIP LENGTH	.50	.50

1. ALL LEADS ARE 18AWG UNLESS OTHERWISE SPECIFIED AND HAVE A TOLERANCE OF +1.0/-0
2. STRIP TOLERANCE IS ±1/32.
3. WINDING PROTECTION: INHERENTLY LIMITING.



THIS DRAWING IS A CONTROLLED DOCUMENT.

DIMENSIONS: INCHES	TOLERANCES UNLESS OTHERWISE SPECIFIED:
0 PLC	±-
1 PLC	±.1
2 PLC	±.03
3 PLC	±.015
4 PLC	±-
ANGLES	±-

DWN	VIC SLACK	01JUN2017
CHK	D. BLOESCH	01JUN2017
APVD	D. BLOESCH	01JUN2017
PRODUCT SPEC	-	
APPLICATION SPEC	-	
WEIGHT	-	
CUSTOMER DRAWING		

3-1611471-8
TE PART NO.

STE TE Connectivity

NAME: TRANSFORMER OUTLINE

SIZE	CAGE CODE	DRAWING NO	RESTRICTED TO
A3	-	4000Y01C02K999	-

SCALE: 1:1 SHEET: 1 OF 1 REV: A