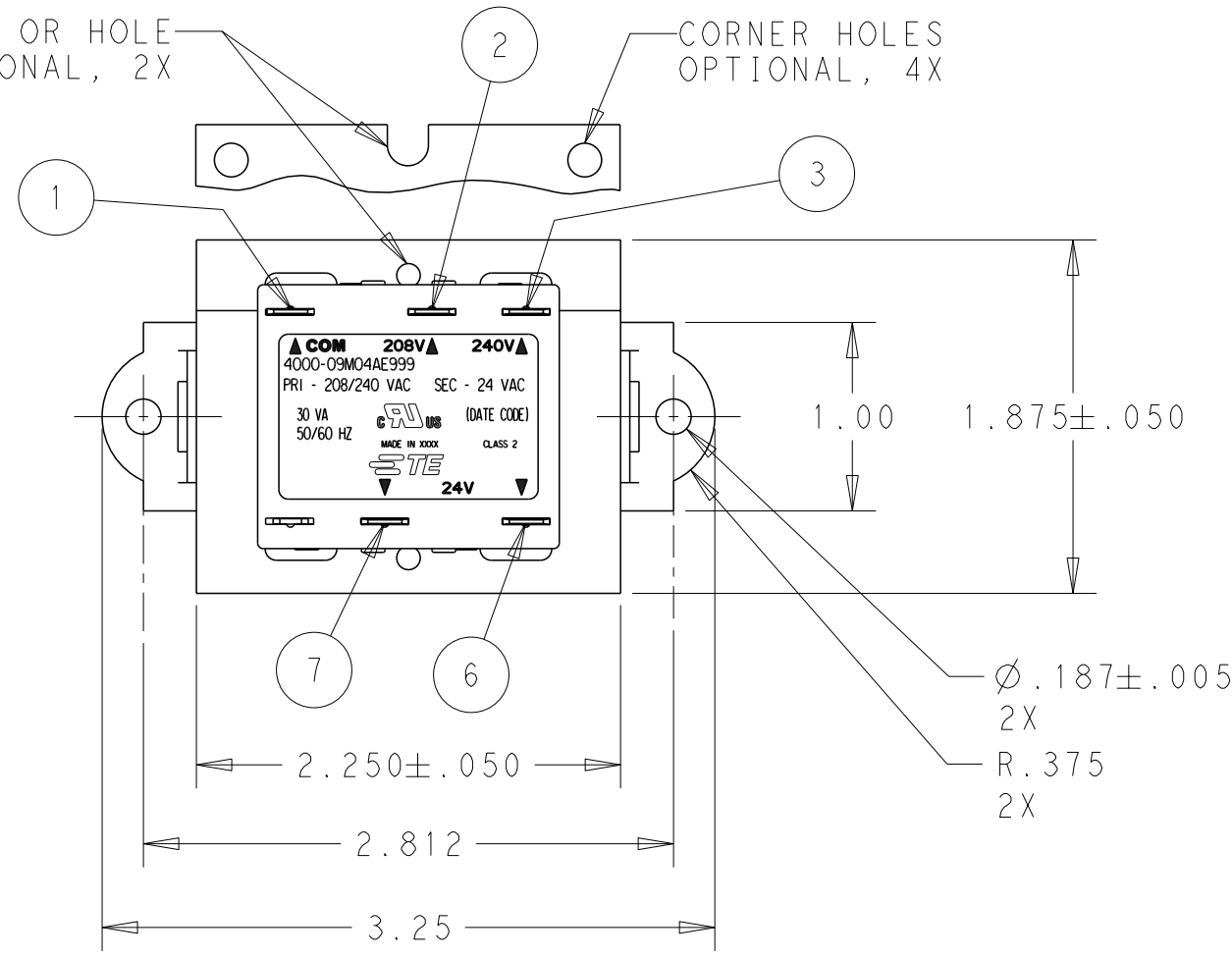


THIS DRAWING IS UNPUBLISHED. RELEASED FOR PUBLICATION 20
 © COPYRIGHT 20 BY - ALL RIGHTS RESERVED.

REVISIONS					
P	LTR	DESCRIPTION	DATE	DWN	APVD
D		ECR-16-001088	27JAN2016	VS	DB

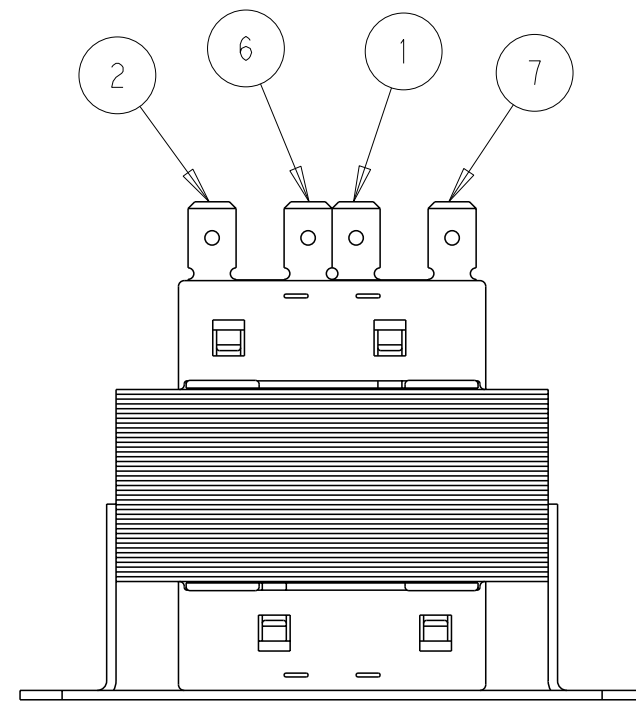
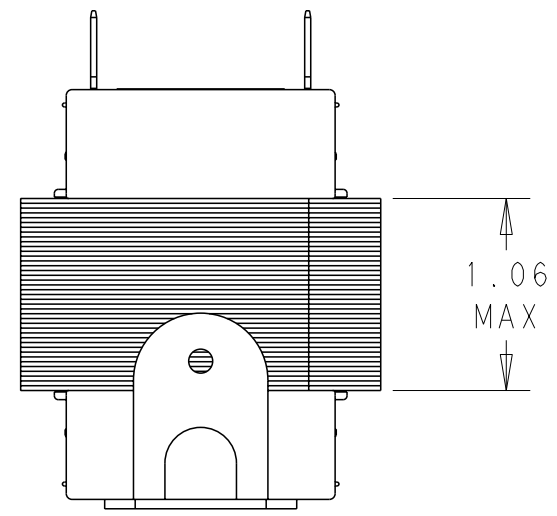
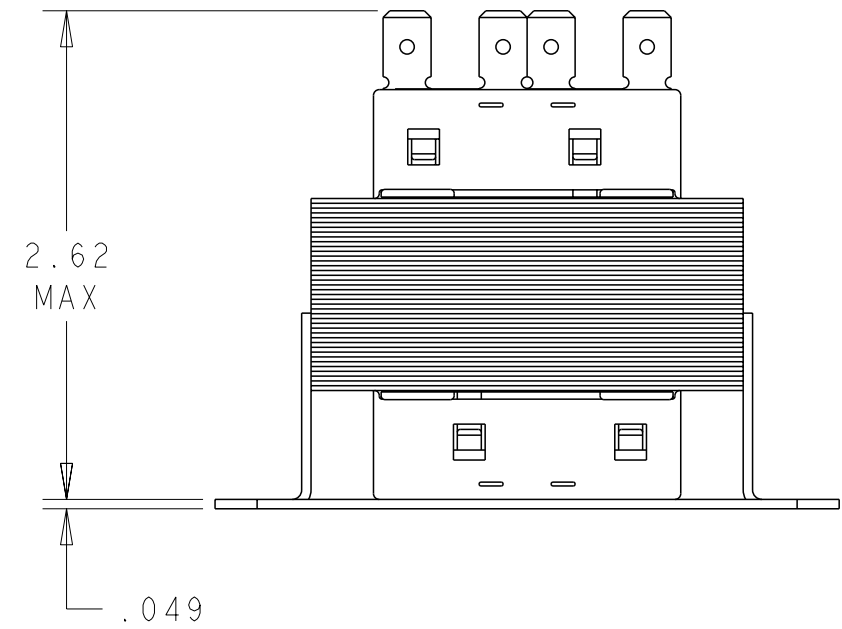
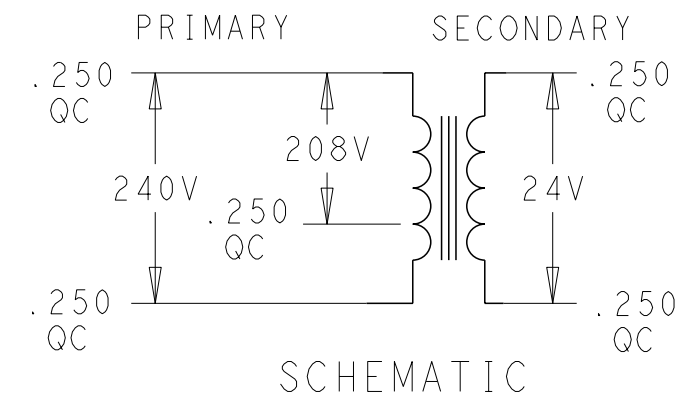
SLOT OR HOLE
OPTIONAL, 2X

CORNER HOLES
OPTIONAL, 4X


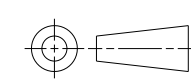


CERTIFICATION: UL & CUL FILE NO. E87824						
PRIMARY			SECONDARY			
TERMINAL NO.	1	2	3	TERMINAL NO.	6	7
VOLTAGE	COM	208	240	VOLTAGE	24	VAC
TERM. WIDTH	.250	.250	.250	TERM. WIDTH	.250	.250
TERM. THICKNESS	.032	.032	.032	TERM. THICKNESS	.032	.032

1. WINDING PROTECTION: INHERENTLY LIMITING.



3-1611450-4
TE PART NO.

THIS DRAWING IS A CONTROLLED DOCUMENT.		DWN VIC SLACK 22APR2014	 TE Connectivity NAME TRANSFORMER OUTLINE					
DIMENSIONS: INCHES		CHK D. BLOESCH 22APR2014						
		APVD D. BLOESCH 22APR2014						
TOLERANCES UNLESS OTHERWISE SPECIFIED:		PRODUCT SPEC						
0 PLC ±- 1 PLC ±.1 2 PLC ±.03 3 PLC ±.015 4 PLC ±- ANGLES ±-		APPLICATION SPEC	SIZE A3	CAGE CODE -	DRAWING NO. C-4000-09M04AE999	RESTRICTED TO -		
MATERIAL -		FINISH -	WEIGHT -	Customer Drawing		SCALE 1:1	SHEET 1 OF 1	REV D