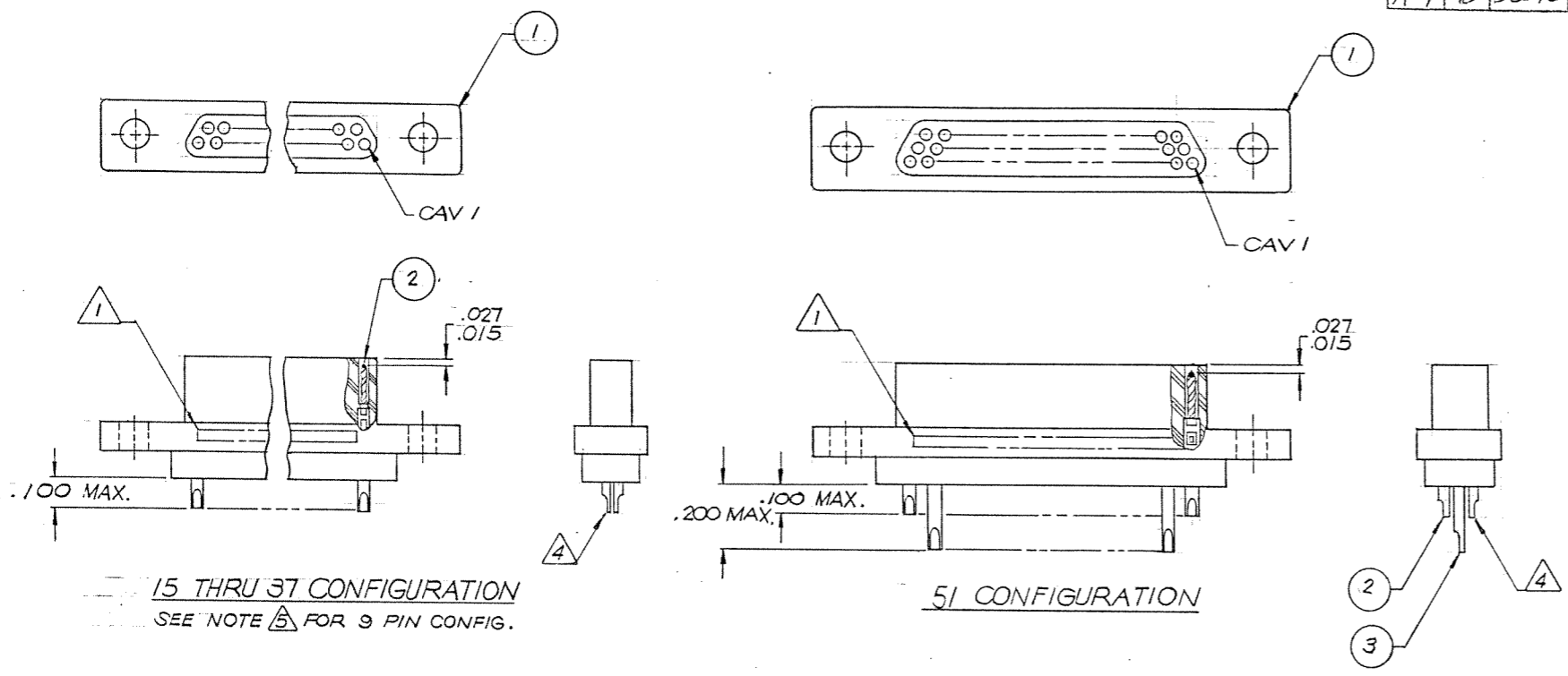


REVISIONS					
ZONE	LTR	ECN	DESCRIPTION	DATE	APPROVED
	A	29602	NEW RELEASE	8/18/85	<i>[Signature]</i>
A-1	B	35070	TITLE WAS: MCD*3	8/2/84	<i>[Signature]</i>



NOTES: UNLESS OTHERWISE SPECIFIED

- 1. MARK "MALCO" OR MALCO LOGO, PART NUMBER AND DATE CODE WITH .047 MIN. HIGH CHARACTERS IN APPROX. LOCATION SHOWN.
- 2. EPOXY AS SHOWN USING HYSOL #4215 AND #3561.
- 3. CRIMP SOLDER POTS INTO CONTACTS PER MEP 302-05.
- 4. THE CHAMFERED SIDE OF THE SOLDER POTS TO BE PARALLEL TO THE SIDES OF INSULATOR WITHIN 10°.
- 5. FOR 9 PIN CONFIGURATION, SEE 095-0603-2010.

Tyco Dwg 4-1532143-3  
Micro P/N 095-0000-0455

QTY REQD	CODE IDENT	PART OR IDENTIFYING NO.	NOMENCLATURE OR DESCRIPTION
PARTS LIST			
UNLESS OTHERWISE SPECIFIED DIMENSIONS ARE IN INCHES TOLERANCES ARE: FRACTIONS    DECIMALS    ANGLES ±            .XX ±            ±		CONTRACT NO.	<b>MALCO</b> A MICRODOT COMPANY, INC. 220 PASADENA AVE., SO. PASADENA, CALIF. 91030
MATERIAL		APPROVALS    DATE	
FINISH		DRAWN <i>C. TIONGCO</i> 8-1-85 CHECKED <i>[Signature]</i> 8-6-85 PR. ENG <i>[Signature]</i> 8-8-85 APPD.	
NEXT ASSY    USED ON		PROD. CODE <b>824</b> CODE <b>M</b>	
APPLICATION		SIZE    CODE IDENT NO.    DRAWING NO. <b>C</b> <b>98278</b> <b>095-0000-0455</b>	RACK AND PANEL CONNECTOR MCD*3 -B-15 THRU 51 PS SCREW MTG, .093 FLG (G3 & R3)
DO NOT SCALE DRAWING		These drawings and specifications are the property of Microdot Inc., are issued in strict confidence and shall not be divulged, be reproduced or copied, or used as the basis for the manufacture or sale of any article without written permission of Microdot Inc.	
		SCALE	SHEET / OF /