

SAFETY ORGANIZATION(S).

THIS FILTER HAS BEEN FORMALLY RECOGNIZED, CERTIFIED OR APPROVED BY THE LISTED AGENCY. THEREFORE, ALL TEST/REQUIREMENTS SPECIFIED IN THE LATEST REVISION OF THE FOLLOWING AGENCY STANDARDS HAVE BEEN MET.

UL RECOGNIZED	UL 1283
CSA CERTIFIED	CSA 22.2, NO.0,0.4,8
VDE APPROVED	VDE 565-3, 625

OPERATING SPECIFICATIONS:
 LINE VOLTAGE/CURRENT: 3 AMP., 120/250 VAC
 2 AMP./40°C, 250 VAC

LINE FREQUENCY: 50-60Hz
 MAX. LEAKAGE CURRENT, EACH
 LINE TO GROUND .3mA @ 120V 60Hz
 .5mA @ 250V 50Hz
 OPERATING AMBIENT TEMP. RANGE: -10°C TO +40°C @ RATED CURRENT, I_r

IN AN AMBIENT, T_a, HIGHER THAN 40°C, THE MAXIMUM OPERATING CURRENT, I_o, IS AS FOLLOWS:

$$I_o = I_r \sqrt{\frac{85 - T_a}{45}}$$

RELIABILITY SPECIFICATIONS:

STORAGE TEMPERATURE: -25°C TO +85°C
 HUMIDITY: 21 DAYS @ 40°C 95% RH
 CURRENT OVERLOAD TEST: 6 TIMES RATED CURRENT FOR 8 SECONDS

TEST SPECIFICATIONS:

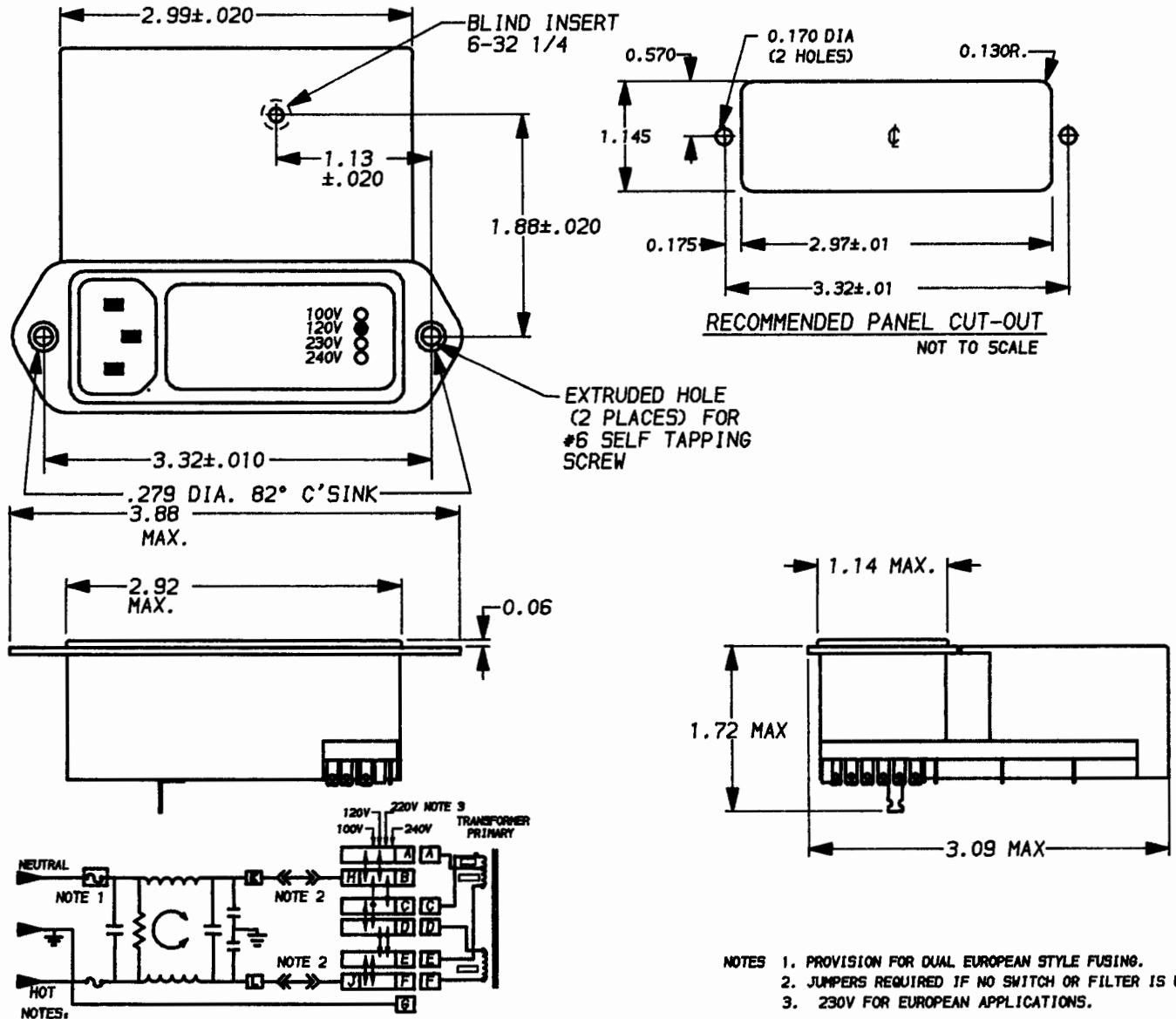
INDUCTANCE: 13.77mH NOMINAL
 CAPACITANCE: (MEASURED @ 1 KHz, 0.25 VAC MAX., 25°C ±1°C)
 LINE TO GROUND: .004μF ±20%
 LINE TO LINE: .74μF ±20%
 DISCHARGE RESISTOR: 330kΩ
 LINE/GROUND AND LINE/LINE: 6000 MΩ (MIN) AT 100 VDC
 INSULATION RESISTANCE: 20°C AND 50% RH
 (W/O DISCHARGE RESISTOR)

RECOMMENDED RECEIVING INSPECTION HIPOT:

LINES TO GROUND: 1500 VAC FOR 1 MINUTE
 LINE TO LINE: 1450 VDC FOR 1 MINUTE

FILTER APPROVAL:

THE BEST WAY TO SELECT AND QUALIFY A FILTER IS FOR YOUR ENGINEERING TO TEST THE UNIT IN YOUR EQUIPMENT.



- NOTES 1. PROVISION FOR DUAL EUROPEAN STYLE FUSING.
 2. JUMPERS REQUIRED IF NO SWITCH OR FILTER IS USED.
 3. 230V FOR EUROPEAN APPLICATIONS.

50Ω - 50Ω (MINIMUM) INSERTION LOSS											
FREQUENCY MHz	.01	.02	.03	.05	.07	.15	.50	1.0	5	10	30
COMMON dB	15	21	24	29	32	39	46	43	40	40	40
DIFF. dB	—	5	13	28	37	55	75	75	62	54	44

UNLESS OTHERWISE SPECIFIED,
 TOLERANCE TO BE ±.025
 MATERIAL & FINISH: AS SUPPLIED
 This document is proprietary to CORCOM INC.
 and is not to be reproduced nor used for
 manufacturing purposes except on CORCOM'S
 prior written consent.



POWER LINE FILTER

DATE: 4-18-94 CATALOG NO. 3EZM4 03
 APPROV. CAD NO. SEZM4.03